



DESIGNED SMART. BUILT SOLID.®

PARTS CATALOG

Insulated Top Mount Hot Food Wells –Thermostat Control Models

Models: HFW-2, HFW-3, HFW-4, HFW-5, HFW-6

Intended for other than household use. Unit must be kept clear of combustibles at all times.



Model	Part Number	Voltage	Watts
HFW-2D	56142	208/240V	1200/1600W
	57270	208V	1600W
HFW-2	54962	208/240V	1200/1600W
HFW-3D	56143	208/240V	1200/1600W
	57271	208V	1600W
HFW-3	54963	208/240V	1200/1600W
HFW-4D	56144	208/240V	1200/1600W
	57272	208V	1600W
HFW-4	54964	208/240V	1200/1600W
HFW-5D	56145	208/240V	1200/1600W
HFW-5	54965	208/240V	1200/1600W
HFW-6D	56146	208/240V	1200/1600W
HFW-6	54966	208/240V	1200/1600W

For 72" thermostat add suffix -72 to model and part number for UL kit add suffix -36UL or -72UL to model and part number



WARNING: California Residents Only. This product can expose you to chemicals including chromium which is known to the State of California to cause cancer and birth defects or other reproductive harm. For more information go to www.P65Warnings.ca.gov.



P/N 67133 09/18

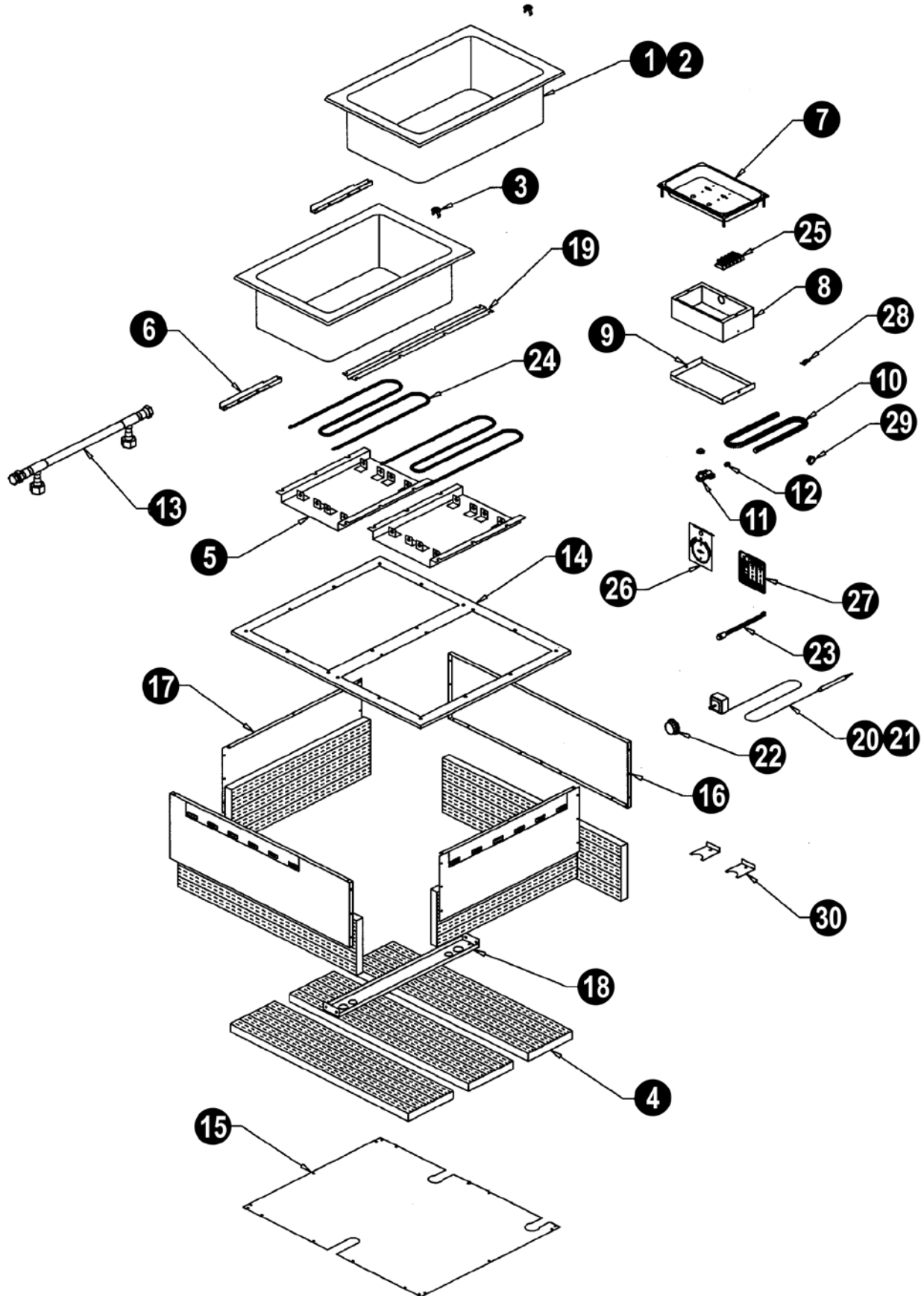
APW Wyott Food Service Equipment Company
1307 N. Watters Road, Suite 180 • Allen, TX 75013

APW Wyott Food Service Equipment Company is a wholly owned subsidiary of Standex International Corporation.

972.908.6100 Phone
214.565.0976 Fax

+1.800.527.2100
www.apwwyott.com

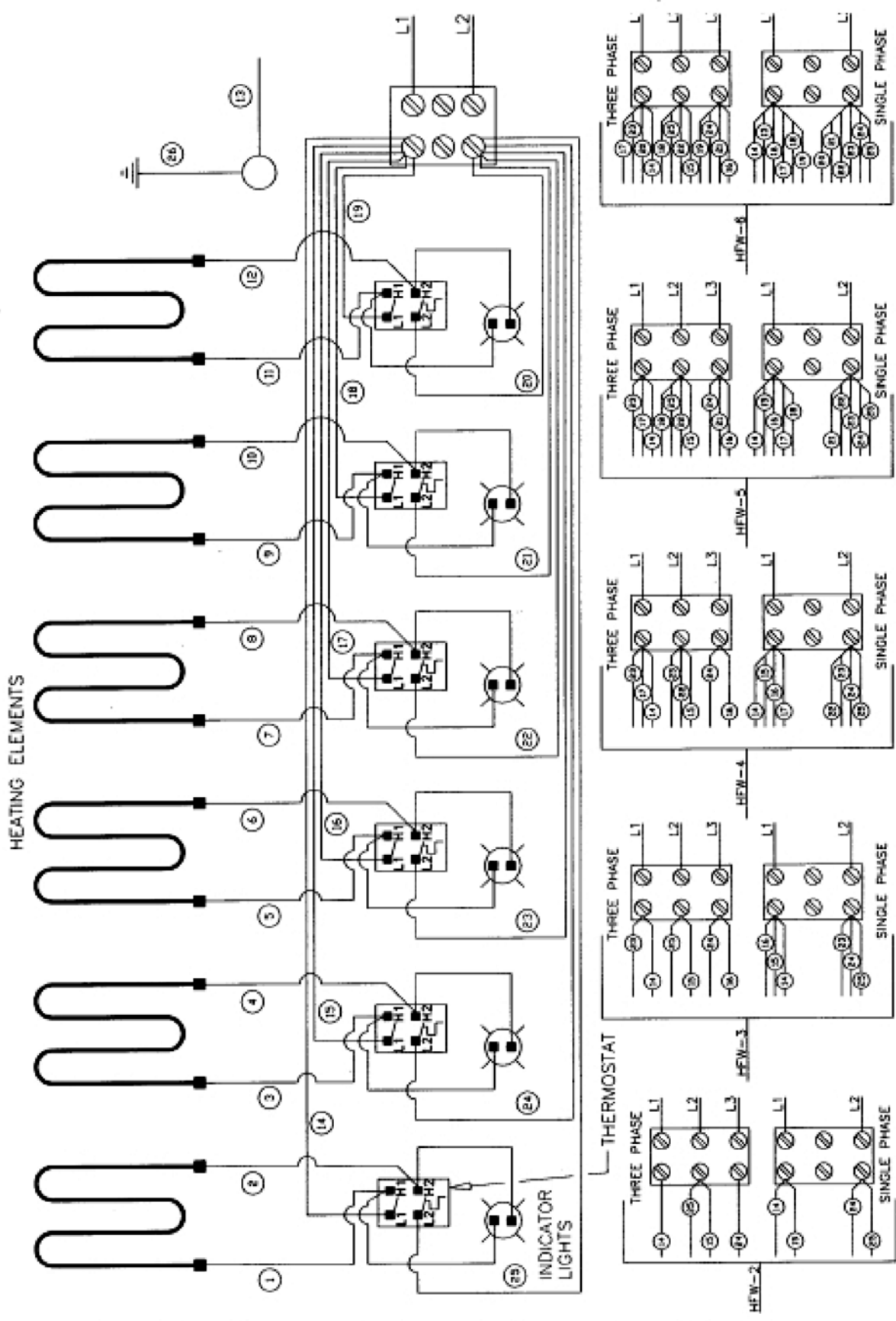
EXPLODED VIEW – HFW-2,3,4,5,6



Item #	Part Number	Description
1	55071	WELL PAN NO DRAIN
2	56037	WELL PAN W/DRAIN
3	56655	DRAIN STRAINER
4	60150	1" X 7" X 48" INSULATION
5	56506	REFLECTOR PAN
6	56039	CAPILLARY COVER F/T' STATS
7	55055	CONTROL RECESSED BEZEL
7A	56041	CONTROL RECESSED BEZEL
8	55057	CONDUIT BOX
8A	55063	CONDUIT BOX
9	55065	CONDUIT BOX COVER
9A	55066	CONDUIT BOX COVER
10	55099	3/4" CONDUIT 24" LONG
11	55058	90° CONDUIT CONNECTOR
12	55059	ANTI-SHORT BUSHING
13	56138	2 WELL DRAIN MANIFOLD ASSY
13A	56147	3 WELL DRAIN MANIFOLD ASSY
13B	56148	4 WELL DRAIN MANIFOLD ASSY
13C	56149	5 WELL DRAIN MANIFOLD ASSY
13D	56150	6 WELL DRAIN MANIFOLD ASSY
14	56206	2 WELL TOP PLATE
14A	56351	3 WELL TOP PLATE
14B	56377	4 WELL TOP PLATE
14C	55023	5 WELL TOP PLATE
14D	56166	6 WELL TOP PLATE
15	56181	2 WELL BOTTOM COVER
15A	56178	3 WELL BOTTOM COVER
15B	56175	4 WELL BOTTOM COVER
15C	56173	5 WELL BOTTOM COVER
15D	56172	6 WELL BOTTOM COVER
16	56180	2 WELL FRONT OR BACK COVER
16A	56177	3 WELL FRONT OR BACK COVER
16B	56174	4 WELL FRONT OR BACK COVER
16C	56171	5 WELL FRONT OR BACK COVER
16D	56170	6 WELL FRONT OR BACK COVER
17	56050	END COVER - ALL
18	56048	CONDUIT BRACKET
19	56067	WELL BRACE

Item #	Part Number	Description
20	56527	THERMOSTAT 36" CAPILLARY
21	56540	THERMOSTAT 72" CAPILLARY
22	56505	KNOB, THERMOSTAT
23	56530	INDICATOR LIGHT
24	55441	ELEMENT 208/240V 1200/1600W
	54051	ELEMENT 208V 1600W
25	30201	TERMINAL BLOCK
26	56529	INCR./DECR. PLATE
27	56542	DIAL PLATE
28	89120	JIFFY CLIP
29	89184	7/8" HOLE BUSHING
30	55062	HOLE COVER
Parts Not Shown		
	89073	#8 X 1/2 SHT METAL SCREW
	88961	10-24 GREEN HEX NUT
	89061	10-24 HEX NUT
	89025	10-24 SPEED NUT
	89071	#10 FLAT WASHER
	89059	#10 EXT. LOCKWASHER
	88993	10-32 X 3/8" TR. HD SCREW
	89068	1/4" FLAT WASHER

WIRING DIAGRAM - HFW-2,3,4,5,6 CAP BULB THERMOSTAT CONFIGURATION



Note: When ordering, always specify part #, Model #, Serial #, Voltage/Phase and type of gas.