



DESIGNED SMART. BUILT SOLID.®

PARTS CATALOG

Bun Grill Toaster

Models: M-83

Intended for other than household use. Unit must be kept clear of combustibles at all times.



Model	Part Number	Voltage
M-83	83501	120V
M-83	83502	208V
M-83	83503	120V
M-83	83504	240V
M-83	83505	120V
M-83	83525	120V
M-83	83585	120V



WARNING: California Residents Only. This product can expose you to chemicals including chromium which is known to the State of California to cause cancer and birth defects or other reproductive harm. For more information go to www.P65Warnings.ca.gov.

Note: When ordering, ALWAYS specify Part #, Model #, Serial #, Voltage & Phase.



P/N 67103 09/18

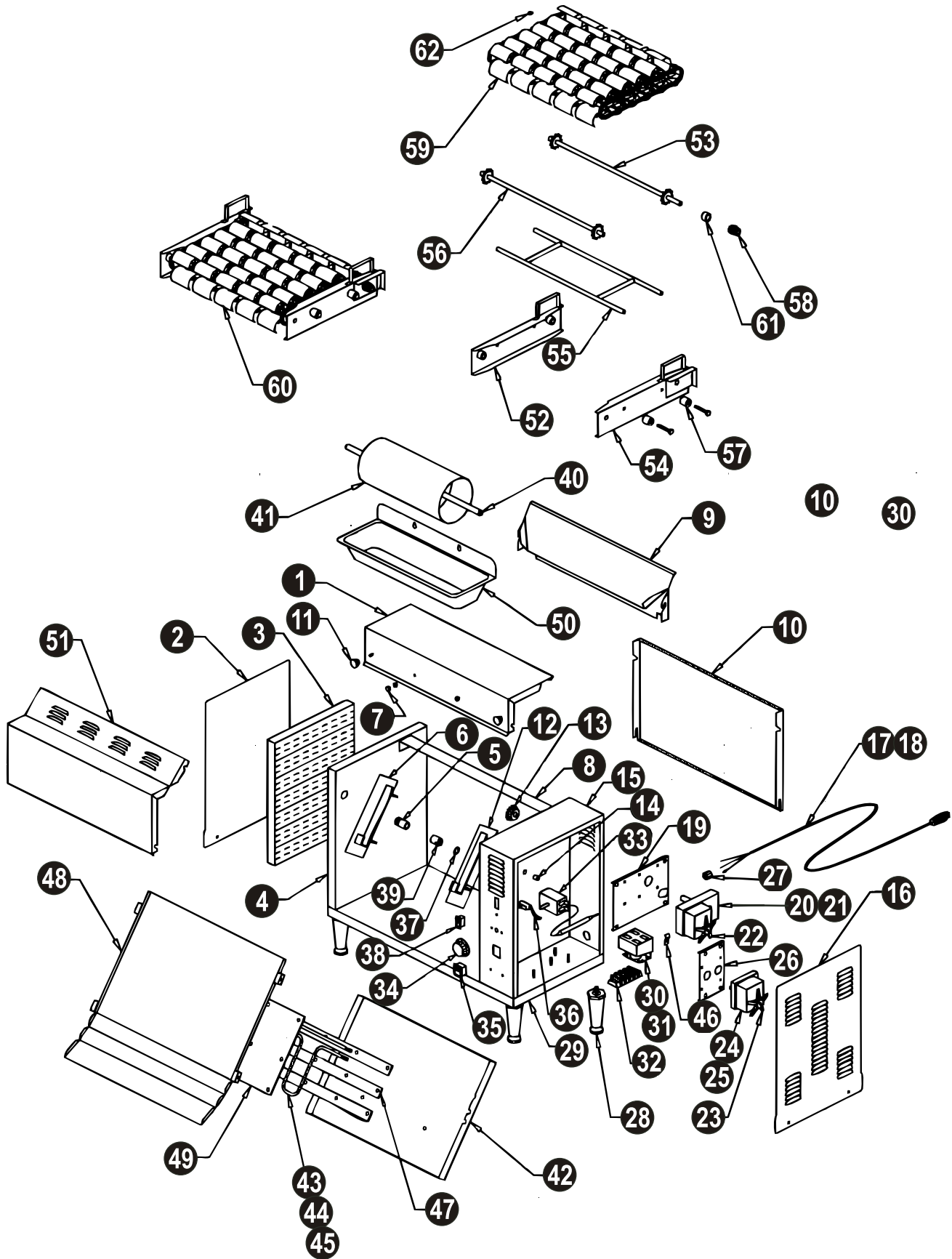
APW Wyott Food Service Equipment Company
1307 N. Watters Road, Suite 180 • Allen, TX 75013

APW Wyott Food Service Equipment Company is a wholly owned subsidiary of Standex International Corporation.

972.908.6100 Phone
214.565.0976 Fax

+1.800.527.2100
www.apwwyott.com

Exploded View – M-83



Item #	Part Number	Description
1	83028	Top Front Panel
2	85800	LH Inspection Panel
3	83047	Insulation, LH Panel
4	83012	LH Outer Panel
5	85210	BR Idler Bushing
6	83056	LH Hanger Plate
7	87074	Hanger Pin W/Head
8	83048	Top Brace
9	83113	Top Back Panel/Bun Chute
10	83043	Bottom Back Panel
11	89165	Knob, Panels
12	83055	RH Hanger Plate
13	85032	Motor Drive Gear 19 Tooth
	85037	Motor Drive Gear 16 Tooth
	85183	Motor Drive Gear 17 Tooth
	85047	Motor Drive Gear 21 Tooth
	85042	Motor Drive Gear 13 Tooth
14	89110	Capillary Bushing
15	83011	RH Outer Housing
16	85710	RH Inspection Panel
17	85638	Power Cord 120V
18	85640	Power Cord 208/240V
19	83053	Motor Mnt Plate Conv. Mtr.
20	85178	Conveyor Motor 120V
21	85195	Conveyor Motor 208/240V
22	85162	Fan, Conveyor Motor
23	85161	Fan, BR Motor
24	85175	BR Motor 120V
25	85197	BR Motor 208/240V
26	83001	Motor Mnt Plate BR Motor
27	89111	Strain Relief Bushing
28	87320	Leg (each)
29	83006	Base Plate
30	87071	Relay 120V
31	87438	Relay 208/240V
32	89145	Terminal Block
33	60320	Thermostat
34	60321	Knob, T-Stat
35	89406	Switch, Main Power
36	55682	Indicator Light
37	83051	Nyliner Bushing
38	89408	Switch, Motor
39	83050	BR Drive Bushing
40	85174	BR Shaft Assembly
41	85173	BR Cylinder

Item #	Part Number	Description
42	83021	Element Cover
43	85632	Heating Element 120V
44	85633	Heating Element 208V
45	85634	Heating Element 240V
46	89120	Jiffy Clip
47	83020	Element Bracket
48	83017	Grill Plate
49	83030	Aluminum Transfer Plate
50	83035	Butter Pan
51	83003	Bottom Front Panel
52	83041	LH Chain Ride
53	85120	Drive Shaft Assembly
54	83029	RH Chain Ride
55	85215	Inner Brace
56	85119	Idler Shaft Assembly
57	85228	Conveyor Knob
58	85033	Conveyor Gear 13 Tooth
	85038	Conveyor Gear 16 Tooth
	85030	Conveyor Gear 15 Tooth
	85046	Conveyor Gear 11 Tooth
	85043	Conveyor Gear 19 Tooth
59	85124	Chain & Weight Assembly
60	83024	Complete Conveyor Ass'y.
61	85115	Teflon Bearing (each)
62	85136	Chain Master Link (each)

Item #	Part Number	Description
Not Shown	89059	#10 Lockwasher
	89065	10-24 Lock Nut
	89031	10-32 X 5/16" Screw
	89088	8-32 X 1 1/4" Screw
	89090	10-32 X 3/16" Set Screw
	89076	1/4" Lockwasher
	89003	1/4-20 X 1/2" Bolt
	89062	10-32 Hex Nut
	89071	#10 Flat Washer
	89030	10-32 X 3/4" Screw
	89054	6-32 Hex Nut
	85003	Tinnerman Clip
	89061	10-24 Hex Nut
	89050	6-32 X 3/16" Screw
	89097	10-32 X 5/8" Bolt
	89046	#8 Lockwasher
	89063	8-32 Nex Nut
	89000	1/4-20 X 1 1/4" Bolt

Wiring Diagram- M-83

