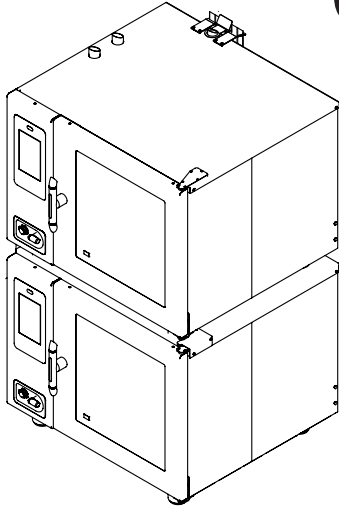


COMBITHERM[®]

CTP7-20G OVER CTP7-20G

GAS BOILER-FREE



CAPACITY - EACH OVEN

- Seven (7) full-size sheet pans; seven (7) GN 2/1 pans; fourteen (14) full-size or GN 1/1 pans, two rows deep
- Two (2) side racks with seven (7) non-tilt support rails; 13" (330mm) horizontal width between rails, 2-3/4" (70mm) vertical spacing between rails

CONSTRUCTION

- Stainless steel exterior, bright annealed interior
- Seamless welded interior stainless steel cavity
- CoolTouch3™ triple pane window door with hinged inner glass prevents additional heat loss and increases cooking efficiency
- Door is hinged right with a 130° swing
- High efficiency LED lighting integrated in the door

- Door mounted self-draining drip tray
- Hands free positive catch door handle with lighted visual alerts [PATENT PENDING]
- PROrinse™ ergonomic retractable hand shower includes a safety shutoff interlock that shuts off water to the hose [PATENT PENDING] and a built-in backflow preventer in the hand shower handle
- SafeVent™ provides automatic steam venting at the end of the cooking cycle [PATENT #7,282,674]
- Zero Clearance design maximizes floor space utilization with features that carefully protect temperature sensitive components and controls [PATENT PENDING]
- Adjustable stainless steel legs provide stability
- High efficiency modulating gas burner maximizes the residence time of flue gases [PATENT PENDING]

CT PROFORMANCE – STANDARD FEATURES

- Oven with state-of-the-art innovative solutions that meld together perfectly to deliver the highest performance standards, consistent food quality, and production efficiency.
- PROtouch™ control provides a simple and intuitive touch screen interface, large screen display and icons that are easy to use and identify.
- Software operation in English, French, German, Korean, Mandarin, Russian, or Spanish.
- Four cooking modes:
Steam - 85°F to 250°F (30°C to 120°C)
Convection - 85°F to 575°F (30°C to 301°C)
Combination - 85°F to 575°F (30°C to 301°C)
Retherm - 245°F to 320°F (120°C to 160°C)
- Cook time is displayed in hours : minutes : seconds for greater precision.

- Access an unlimited number of programmed titled recipes that you've customized, marked as favorites, or placed into category folders.
- Removable, single-point, quick-connect, core temperature product probe.
- Three power levels: reduced power to manage kitchen power peaks, eco power for optimal oven efficiency, and PROpower™ - an accelerated turbo power for an instant boost of heat or quick heat recovery [PATENT PENDING].
- Absolute Humidity Control™ (AHC) provides 0-100% humidity levels allowing more control over the ideal cooking environment and product finish [PATENT PENDING].
- Auto-reversing fan with five different fan speeds expands cooking capabilities - from braising, roasting, to flow sensitive products such as soufflés and meringues, or any product affected by a high velocity of air movement.
- Moisture injection feature provides perfect sheen and crust on breads and pastry items.

- Auto-detect USB for HACCP data access, Recipe Management, and software updates.
- Multi-shelf timers can be labeled by product name and programmed in hours, minutes and seconds giving greater control for delicate items.
- Sleep mode can be used to save valuable time by eliminating the need to power down and restart.
- Low temperature Delta-T feature for lower temperature cooking or longer term roasting.
- Programmable cool down feature provides the operator with the ability to lower the temperature of the oven compartment at an accelerated pace.
- Dehydration auxiliary function.
- CombiClean PLUS™ fully automated cleaning with 5 cleaning levels.
- Odometer tracking and audit trail provides extensive diagnostic and troubleshooting features.

SHORT FORM SPEC

Provide Alto-Shaam Combitherm® CT PROformance™ CTP7-20G boiler-free gas CombiOven over CTP7-20G boiler-free gas CombiOven designed with EcoSmart® technology for reduced energy and water consumption. Includes operational modes for steam, convection, a combination of steam and convection heat, and retherm. Oven is to be constructed of 18 gauge stainless steel interior cavity. Oven includes an attached retractable hand shower spray hose with safety shutoff interlock system and a backflow

preventer. PROtouch™ control features includes a cool-down function, automatic cleaning function, recipe programming, three power levels, 0-100% humidity levels, auto-reversing fan with five (5) fan speeds, multi-shelf timers, and sleep mode. Each oven includes USB port, HACCP data access, and accommodates up to seven (7) full-size sheet pans or fourteen (14) full-size hotel pans (GN 1/1), include standard right-hand door hinging, seven (7) non-tilt support rails, and four (4) stainless steel shelves. The stacked configuration has four (4) adjustable stainless steel legs on each oven.

FACTORY INSTALLED OPTIONS

Electrical Choices

- 120V 1ph 208-240V 1ph
 208-240V 3ph 380-415V 3ph

Cord and Plug

- NEMA 5-20P, 20A, 125V Plug
(no-cost option for 120V models)

Gas Type

- Natural Propane

Door Swing

- Right-hand Door Hinging, standard
 Recessed Door, optional; increases oven width by 4" (102mm)

- Extended One-year Warranty

- Alternate Burner Orifice – specify elevation for elevations higher than 2,000 feet (610m) above sea level

- Automatic Grease Collection System [PATENT PENDING], includes four (4) 6-piece, self-trussing poultry racks #5014438, interior drip collection pan, and grease collection container with shut off valve

Cleaning system choices

- Automatic tablet-based cleaning system, standard
 Automatic liquid cleaning system pumps through the system for a deep cleaning, hands free process, includes one (1) removable support tray for liquid cleaner container, optional

- CombiLatch™ door interlock with adjustable timer safeguards operators from heat and steam in the oven cavity when opening the door during a cooking cycle

- Installation Start-Up Check - AVAILABLE THROUGH AN ALTO-SHAAM FASTEAM CENTER

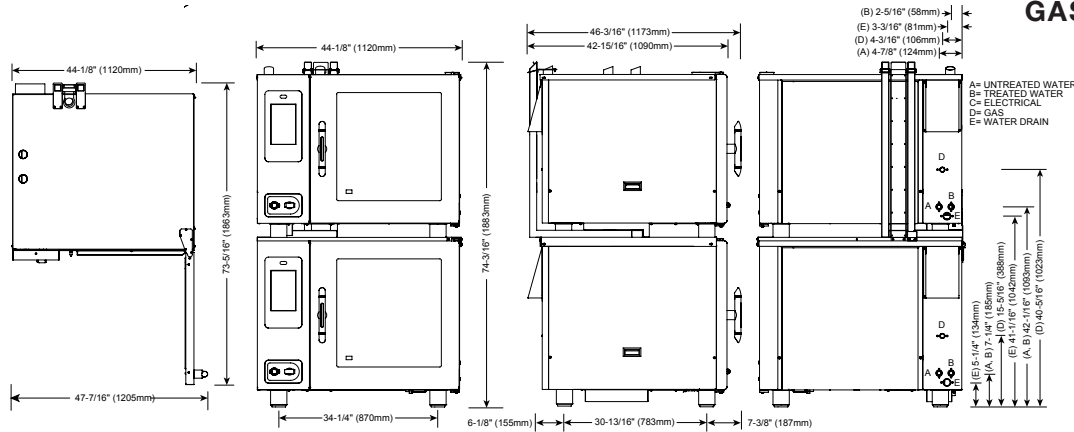
- Smoking Feature - including one-step cold smoking (NOT AVAILABLE ON UNITS WITH SECURITY DEVICES)

Probe Choices

- Removable, single-point, quick-connect core temperature probe, standard
 Removable, single-point, quick-connect sous vide temperature probe, optional
 Hard-wired, multi-point core temperature probe, optional

Security Devices for correctional facility use

- Optional base package:
includes tamper-proof screw package and secured door glass, excludes temperature probe
 Anti entrapment device, optional
 Control panel security cover, optional
 Hasp door lock (padlock not included), optional
 Removable, single-point, quick-connect core temperature probe, optional
 Seismic feet package, optional



STACKED DIMENSIONS: H x W x D

EXTERIOR:

74-3/16" x 44-1/8" x 46-3/16" (1883mm x 1120mm x 1173mm)

EXTERIOR WITH RECESSED DOOR:

74-3/16" x 47-3/4" x 46-3/16" (1883mm x 1213mm x 1173mm)

INTERIOR OF EACH OVEN:

23-1/4" x 24-1/4" x 32-3/4" (590mm x 616mm x 832mm)

WATER REQUIREMENTS

TWO (2) COLD WATER INLETS - DRINKING QUALITY

ONE (1) TREATED WATER INLET: 3/4" NPT* * Can manifold off of one
ONE (1) UNTREATED WATER INLET: 3/4" NPT* 3/4" line.
LINE PRESSURE: 30 to 90 psi 2.1 to 6.3 bar
WATER DRAIN: 1-1/2" (40mm) CONNECTION WITH A 2" (51mm) MINIMUM AIR GAP INSTALLED AS CLOSE TO THE OVEN AS POSSIBLE. MATERIALS MUST WITHSTAND TEMPERATURES UP TO 200°F (93°C).

CLEARANCE REQUIREMENTS

LEFT: 0" (0mm) 18" (457mm) FOR SERVICE ACCESS
RIGHT: 0" (0mm) NON-COMBUSTIBLE SURFACES 2" (51mm) DOOR SWING OR COMBUSTIBLE SURFACES
TOP: 20" (508mm) FOR AIR MOVEMENT
BACK: 4" (102mm) **BOTTOM:** 5-1/8" (130mm) FOR LEGS, AIR INTAKE

INSTALLATION REQUIREMENTS

- Oven must be installed level.
- Hood installation is required.
- Water supply shut-off valve and back-flow preventer when required by local code.

GAS REQUIREMENTS - EACH (GAS TYPE MUST BE SPECIFIED ON ORDER)

HOOK-UP: 3/4" NPT

RATED THERMAL LOAD		CONNECTED PRESSURE			
NORTH AMERICA	INTERNATIONAL	NORTH AMERICA		INTERNATIONAL	
Natural Gas/Propane	G20, G25, G31	Natural Gas	Propane	G20	20mbar
Gross Heating Value (HHV)	Net Heating Value (LHV)	Minimum: 5.5" W.C.	Minimum: 9" W.C.	G25	20mbar
98,000 Btu / hr	26.5 kW	Maximum: 14" W.C.	Maximum: 14" W.C.	G31	30mbar

ELECTRICAL - CTP7-20G - EACH (DEDICATED CIRCUIT REQUIRED) DO NOT CONNECT TO A G.F.I. OUTLET

ELECTRICAL - CTP7-20G - EACH (DEDICATED CIRCUIT REQUIRED) DO NOT CONNECT TO A G.F.I. OUTLET									WITH COMBISMOKER® OPTION			
VOLTAGE	PH	HZ	AWG	CONNECTION no cord, no plug	AMPS	BREAKER	kW	CONNECTION no cord, no plug	AMPS	BREAKER	kW	
120	1	60	14	L1, N, G	6.8	20	.84	L1, N, G	12.0	20	1.46	
208 - 240	1†	50/60	14	L1, L2/N, G	4.8 - 4.2	15	1.0	L1, L2/N, G	7.3 - 7.1	15	1.5 - 1.7	
208 - 240	3	50/60	14	L1, L2, L3, G	4.8 - 4.2	15	1.0	L1, L2, L3, G	7.3 - 7.1	15	1.5 - 1.7	
380 - 415	3	50	14	L1, L2, L3, N, G	4.6 - 4.2	15	1.0	L1, L2, L3, N, G	7.2 - 7.1	15	1.6 - 1.7	

☞ NORTH AMERICA VOLTAGE CHOICE

☛ INTERNATIONAL VOLTAGE CHOICE

†ELECTRICAL SERVICE CHARGE APPLIES

WEIGHT	SHIP DIMENSIONS		PAN CAPACITY FOR EACH OVEN				PRODUCT MAXIMUM: 168 lb (76 kg)	
NET 1260 lbs est 572 kg	(L x W x H) 53" x 53" x 87"		FULL-SIZE:	20" x 12" x 2-1/2"	Fourteen (14)	VOLUME MAXIMUM: 105 quarts (133 liters)		
SHIP 1300 lbs* 590 kg*	(1346 x 1346 x 2210mm)*		GN 1/1:	530 x 325 x 65mm	Fourteen (14)	*ADDITIONAL WIRE SHELVES REQUIRED FOR MAXIMUM CAPACITY		
*DOMESTIC GROUND SHIPPING INFORMATION. CONTACT FACTORY FOR EXPORT WEIGHT AND DIMENSIONS.			GN 2/1:	650 x 530 x 65mm	Seven (7)			
			*FULL-SIZE SHEET:	18" x 26" x 1"	Seven (7)			