



BEVERAGE-AIR

| | |
|-----------------|------|
| Project: _____ | AIA# |
| Item: _____ | |
| Location: _____ | SIS# |
| Approved: _____ | |

DP FOOD PREPARATION SERIES

DP67HC Deli/Pizza Two Doors Prep Table Left Side Compressor
Hydrocarbon Series

MODELS:
DP67HC-ALT

DP67HC Food Preparation : Deli/Pizza Prep Series

3 Year Parts/Labor Warranty
Additional 2 Year Compressor Warranty

CABINET CONSTRUCTION



DP67HC-ALT

- Stainless steel front, sides, top, doors, and grille (*galvanized back & bottom*)
- Interior liner is made of corrosion resistant aluminum
- Aluminum top interior liner prevents spill from falling into cabinet
- Stainless steel top
- Removable hoods and insulated lid assemblies are made of matching stainless steel
- Doors are self-closing on cam-lift hinges
- Snap-in door gaskets
- 120° Stay-open door feature
- Easy lift-off door removal for service and cleaning
- Field reversible doors
- 3" Casters, 2 with brakes standard
- 19" Wide reversible cutting board constructed of white polyethylene plastic
- Cutting board removable for cleaning
- Two epoxy-coated steel wire shelves per door
- Units will accept pans up to 6" deep (pans are not included)
- Raised rail maintains temperatures between 36° - 38°F

OPTIONS & ACCESSORIES

- Stainless steel back and grille
- Stainless steel interior
- Clear-lid models
- Combination door/drawer models
- Door locks
- Composite cutting board
- Bun tray rack
- 6" Casters
- 6" Legs Black or Seismic / Flanged
- Remote option

REFRIGERATION SYSTEM

- Refrigeration system uses R29 refrigerant to comply with all environmental concerns
- Automatic, electric defrost
- Epoxy coated evaporator coil



3779 Champion Blvd., Winston-Salem, NC 27105
1-888-845-9800 Fax: 1-336-245-6453
Beverage-Air.com sales@bevair.com



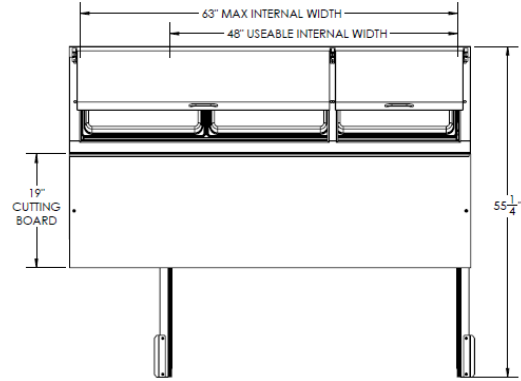
BEVERAGE-AIR

| MODEL | DP67HC-ALT |
|----------------------------------|-----------------------|
| EXTERNAL DIMENSIONAL DATA | |
| Width Overall | 67" |
| Depth Overall with Cutting Board | 37" |
| Height Overall with 3" Casters | 53 1/8" |
| Number of Doors | 2 |
| Depth with Door Open 90 ° | 55 1/4" |
| Door Opening (in) | (2) 21 1/2" x 23 5/8" |
| Depth, Cutting Board | 19" |
| INTERNAL DIMENSIONAL DATA | |
| NET Capacity (cubic ft.) | 20.7 |
| Internal Width Useable (in) | 48" |
| Internal Depth Overall (in) | 26" |
| Internal Height Overall (in) | 23 7/8" |
| Number of Shelves | 4 |
| ELECTRICAL DATA | |
| Full Load Amperes 115/60/1 | 4.5 |
| REFRIGERATION DATA | |
| Horsepower | 1/2 |
| Capacity (BTU/Hr)* | 2940 |
| WEIGHT DATA | |
| Gross Weight (Crated lbs) | 472 lbs |
| Height - Crated | 47 1/2" |
| Width - Crated | 70" |
| Depth - Crated | 37" |

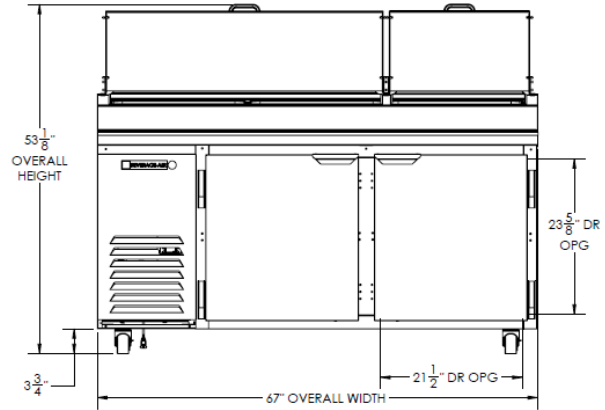
Deli/Pizza Preparation Table

Models: DP67HC-ALT

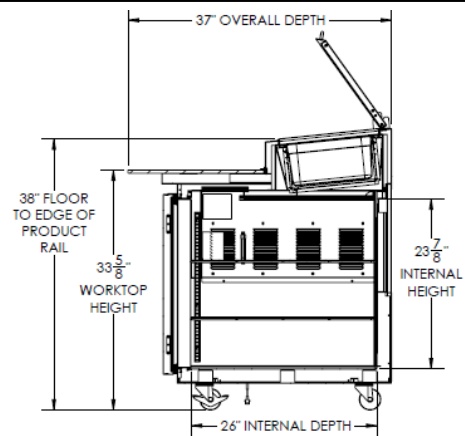
Model Views



Plan View



Elevation View



Side View

ELECTRICAL CONNECTION



115/60/1
NEMA-5-15P

Units pre-wired at factory and include 8' long cord and plug set.



an Ali Group Company



3779 Champion Blvd., Winston-Salem, NC 27105
1-888-845-9800 Fax: 1-336-245-6453
Beverage-Air.com sales@bevair.com