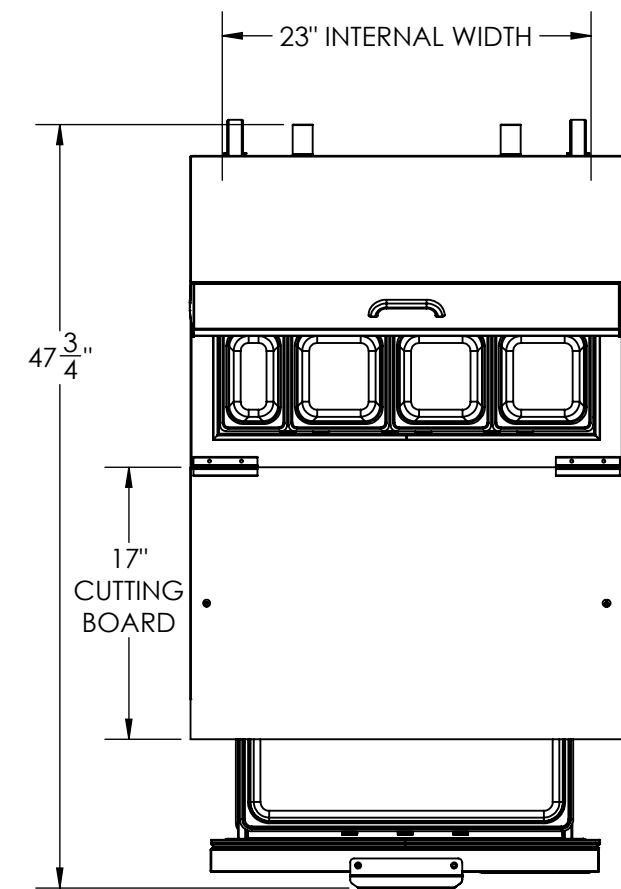
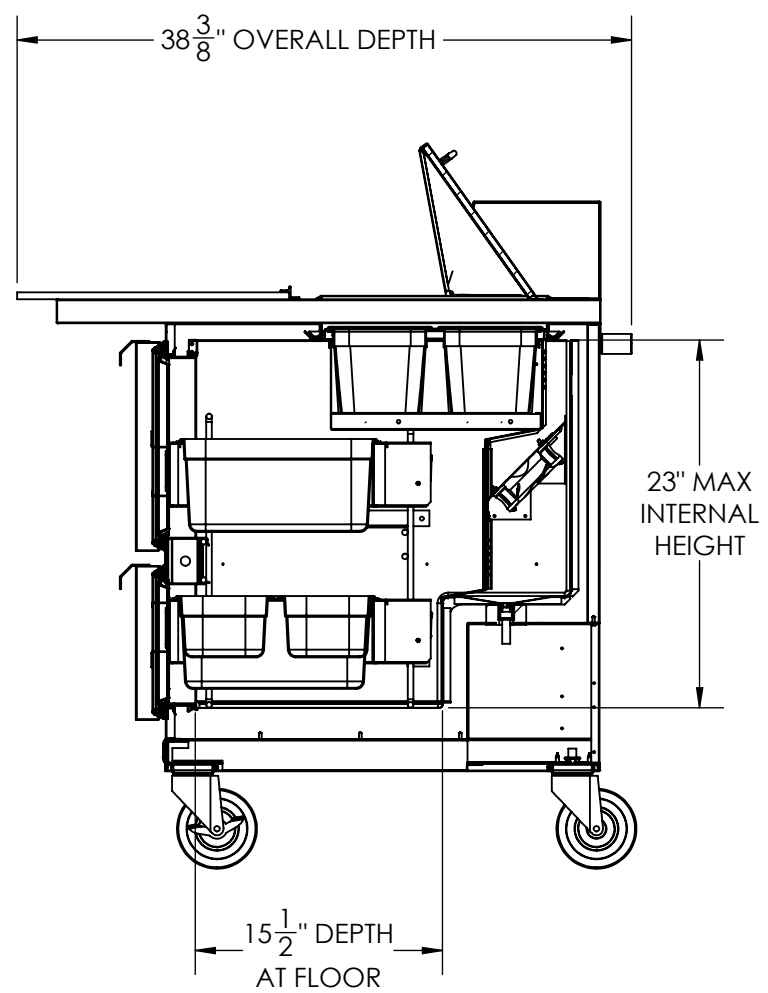
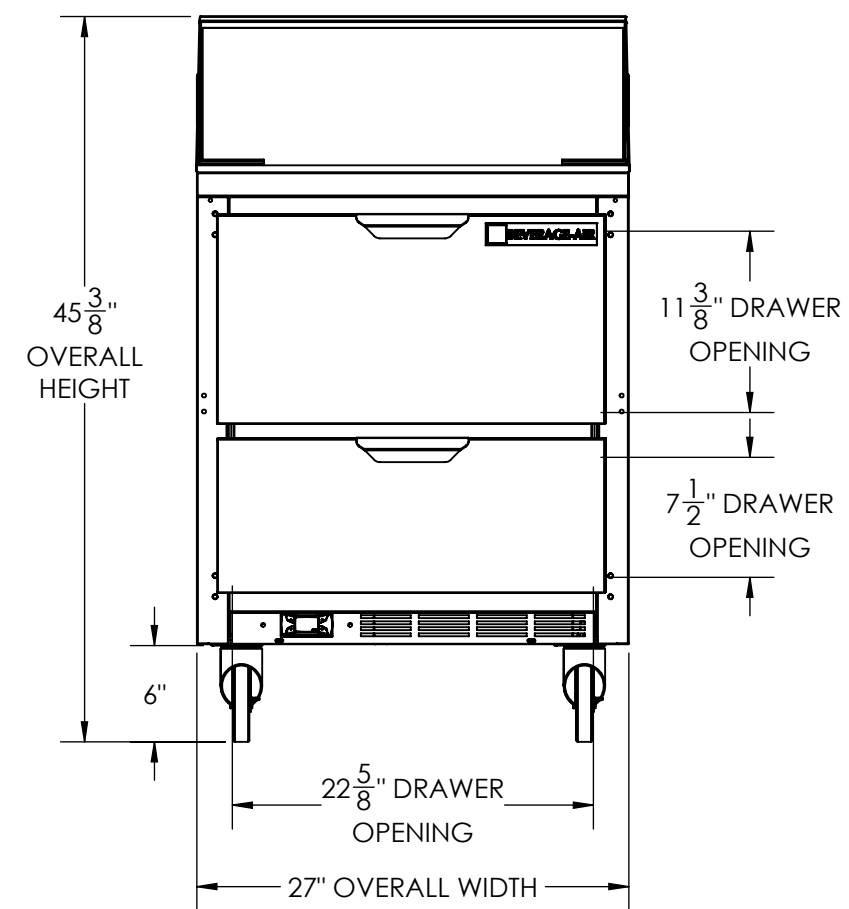


8 7 6 5 4 3 2 1

D
C
B
A


D
C
B
A



***** END OF REV *****

REV	REVISION RECORD	DATE	BY	CHK	ECN. NO.

THIRD ANGLE PROJECTION	UNLESS OTHERWISE SPECIFIED:	NAME	DATE
	DIMENSIONS ARE IN INCHES TOLERANCES: ANGULAR: ± 2° ONE PLACE DECIMAL ± .060 TWO PLACE DECIMAL ± .030 THREE PLACE DECIMAL ± .010	DRAWN AMK	12/13/17
COMMENTS:	PROPRIETARY AND CONFIDENTIAL THE INFORMATION CONTAINED IN THIS DRAWING IS THE SOLE PROPERTY OF BEVERAGE-AIR CORPORATION. ANY REPRODUCTION IN PART OR AS A WHOLE WITHOUT THE WRITTEN PERMISSION OF BEVERAGE-AIR CORPORATION IS PROHIBITED.	CHECKED	
		ENG APPR.	
		MFG APPR.	
		Q.A.	
		MODEL	
		ENGINEERING REQUIREMENTS	
		SP100	



BEVERAGE-AIR
BROOKVILLE, PA
WINSTON-SALEM, NC
beverage-air.com

TITLE:

SIZE B	DWG. NO. SPED27HC-C	REV
------------------	-------------------------------	-----

SCALE: 1:24 WEIGHT: SHEET 1 OF 1

8 7 6 5 4 3 2 1