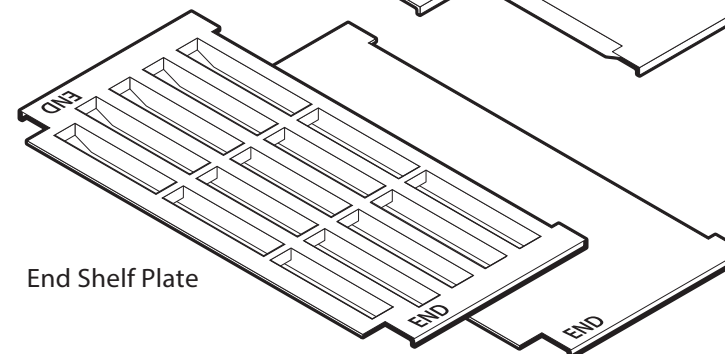
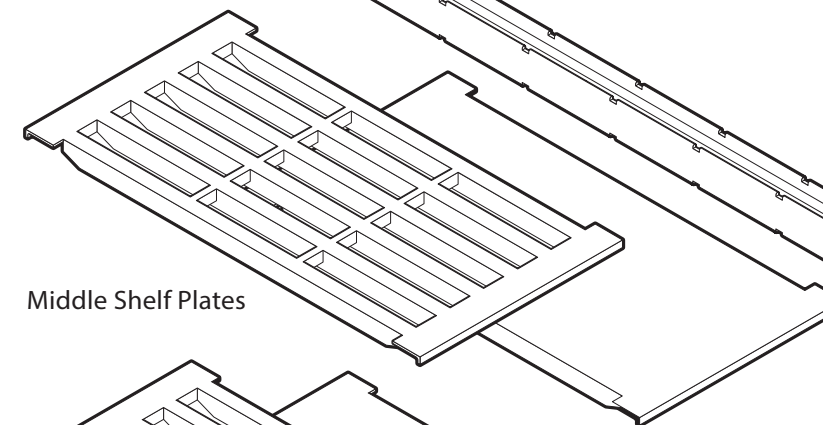
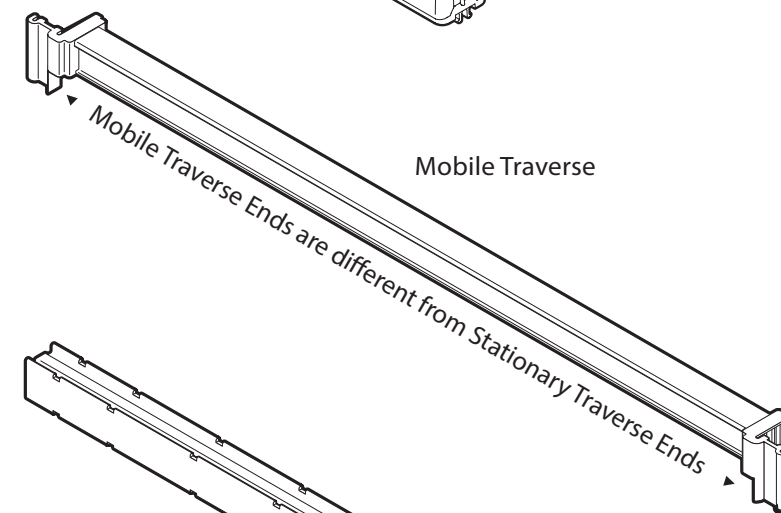
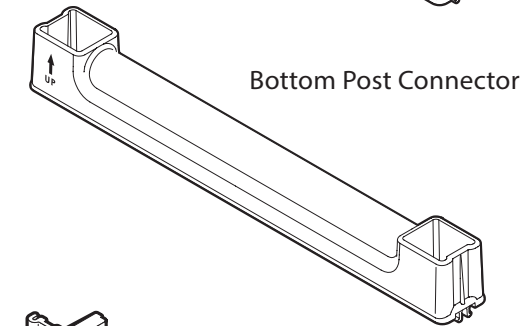
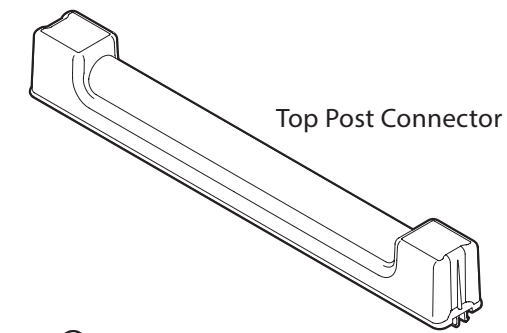
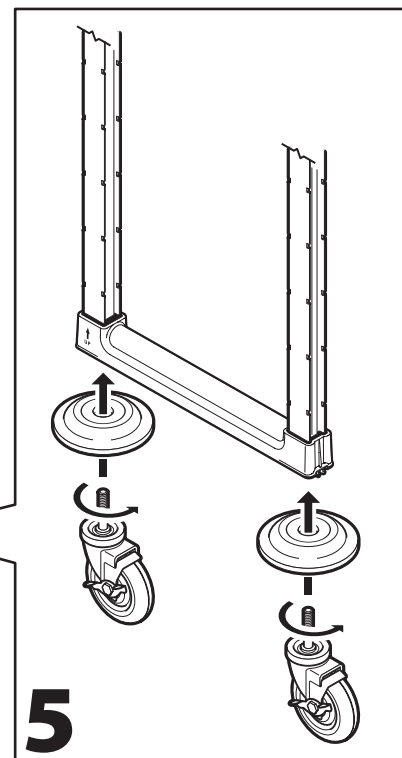
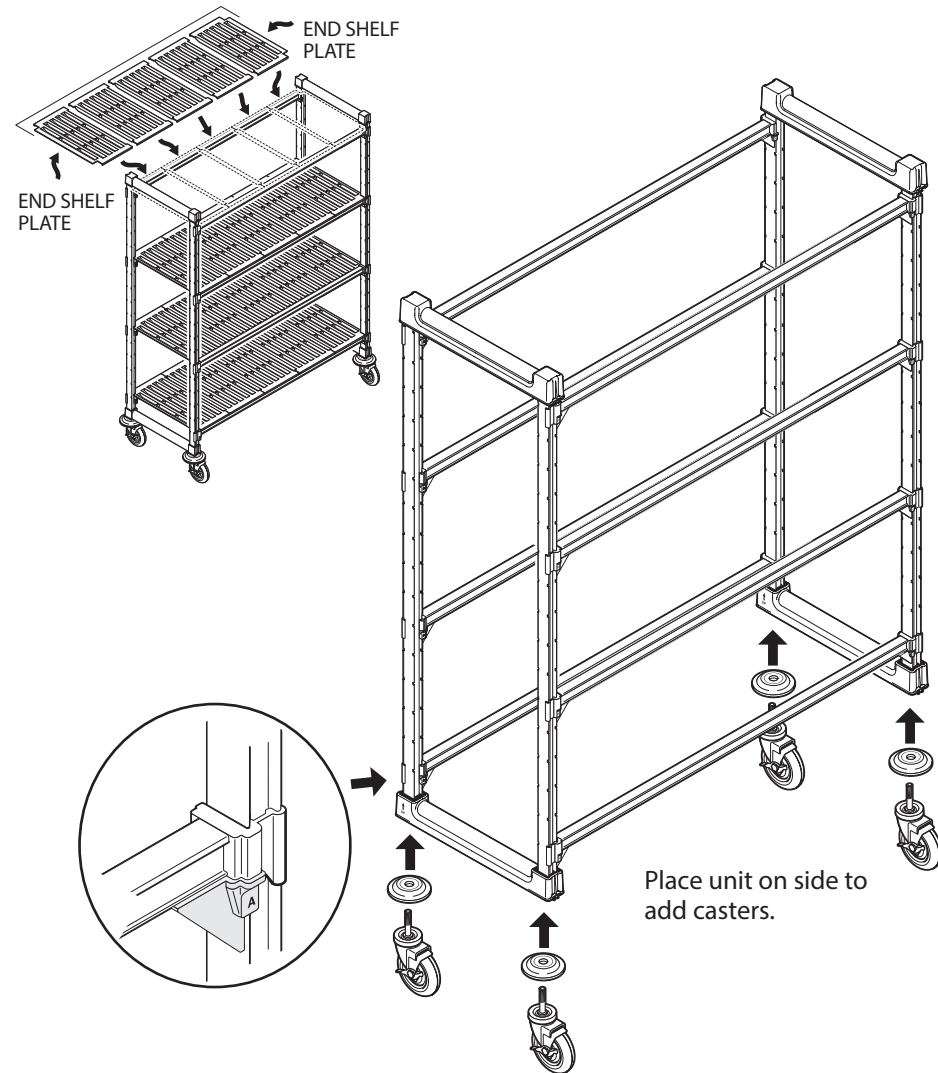
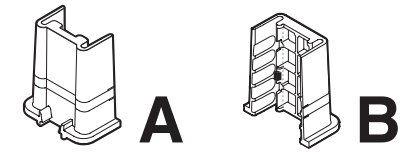


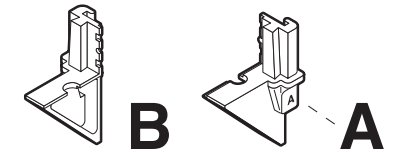
# Camshelving® Elements Series Mobile



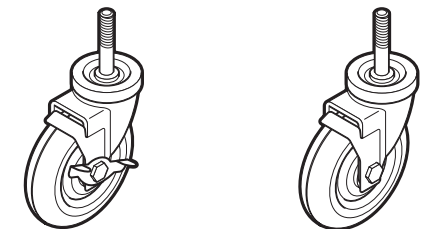
## Post Connector Collar Wedges



## Mobile Traverse Dovetails

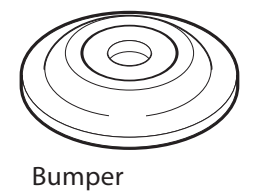


## Swivel Caster with Brake



## Swivel Caster No Brake

## OPTIONAL ACCESSORY



## TOOLS REQUIRED



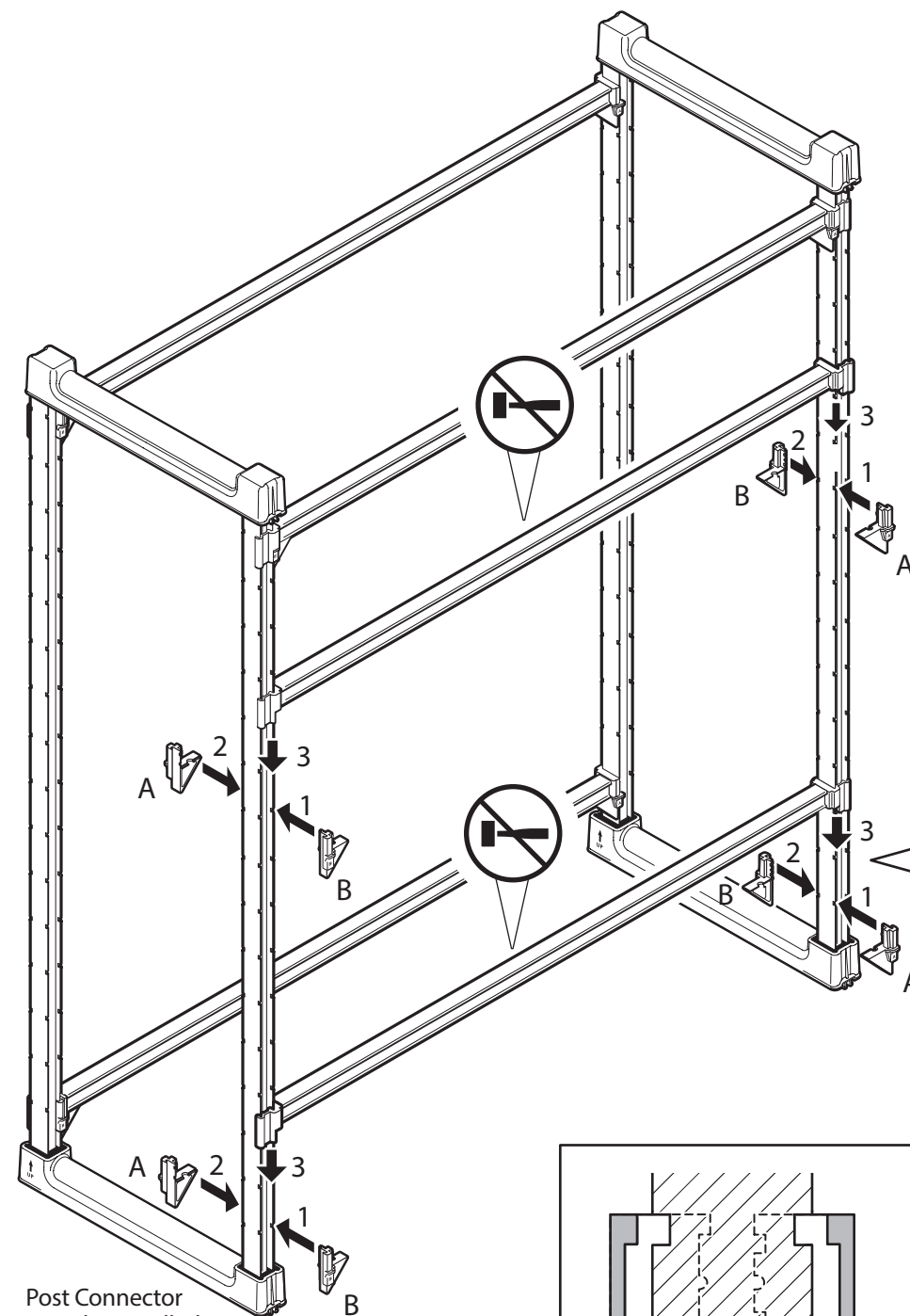
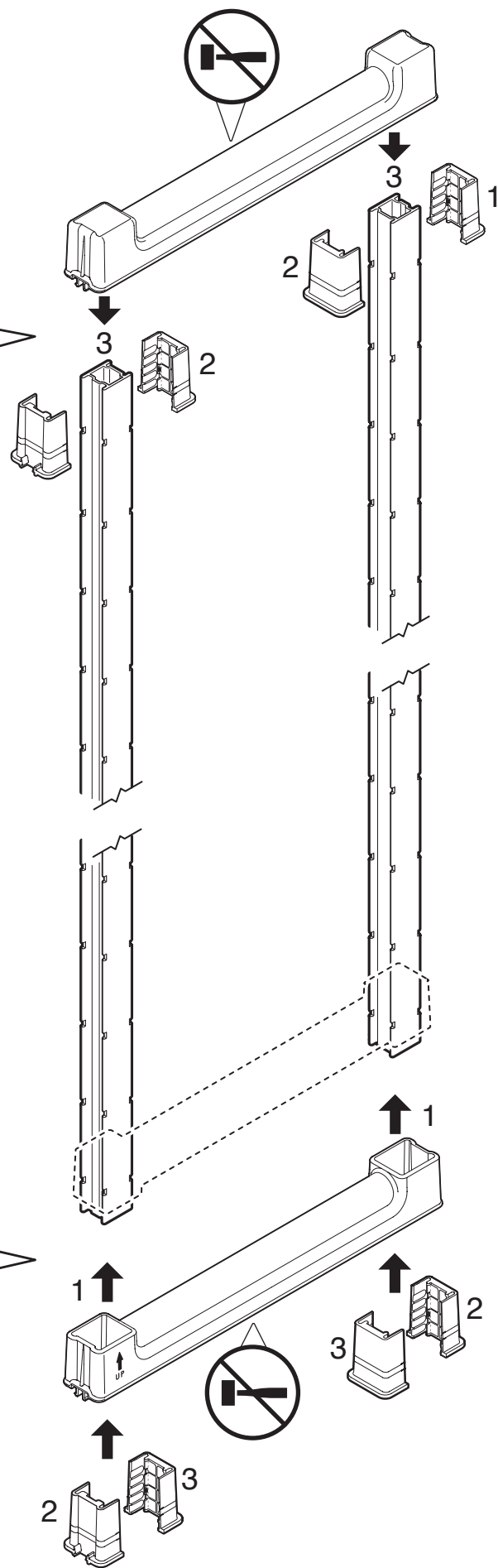
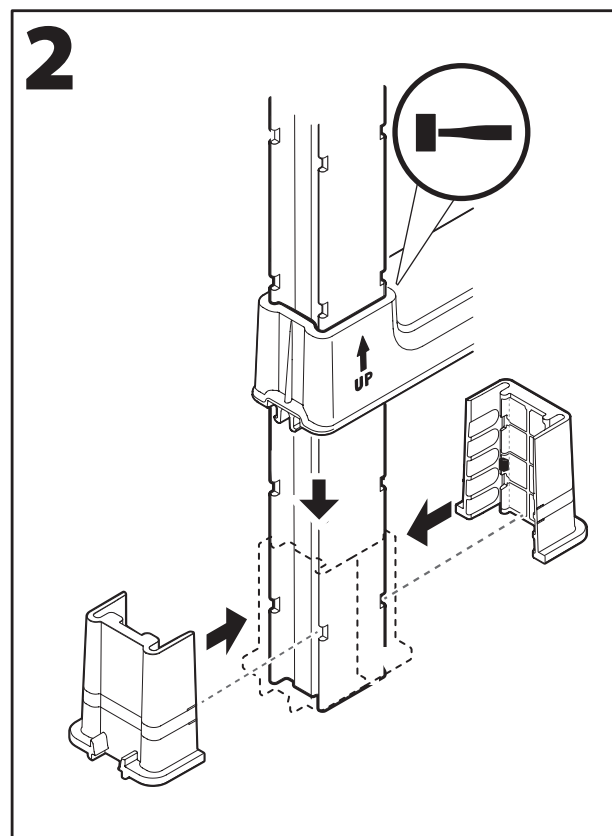
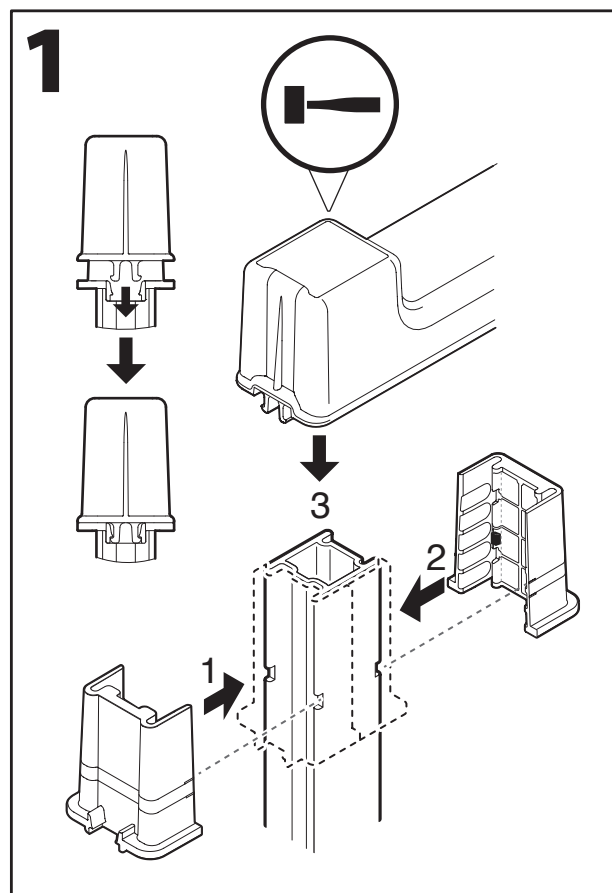
Rubber Mallet Only



NSF COMPONENTS



Do Not Use hammer



Post Connector must be installed on 1<sup>st</sup> notch from bottom.

