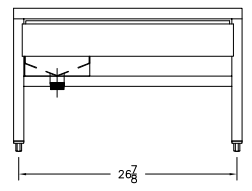
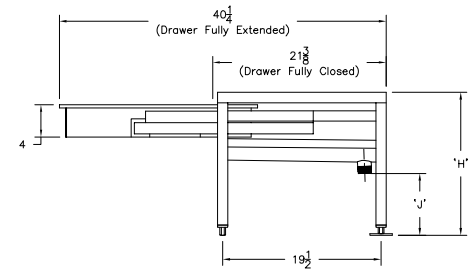
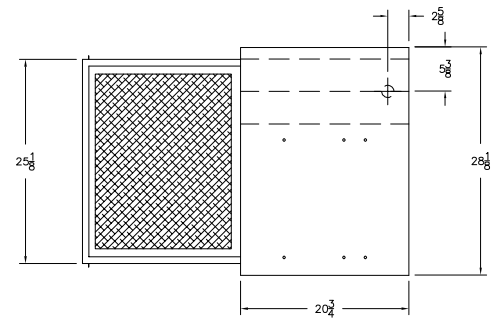
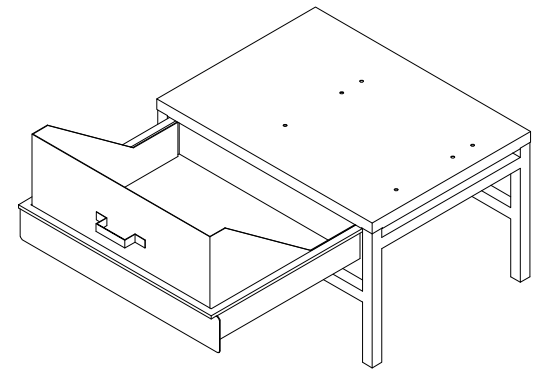
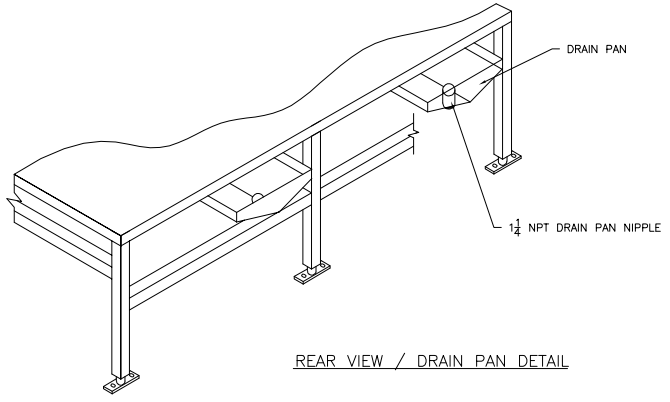


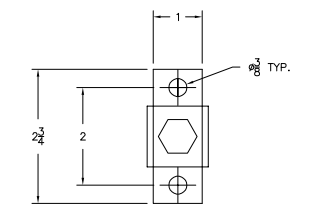
MODEL#	DIM. 'H'	DIM. 'J'
ST-28	17 5/8	7 5/8
ST-28B	21 5/8	11 5/8
ST-28C	25	15



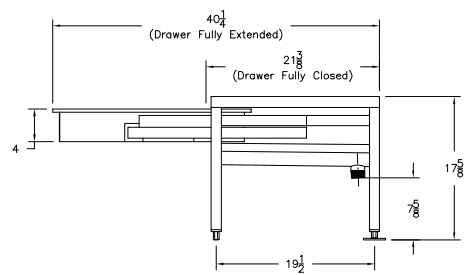
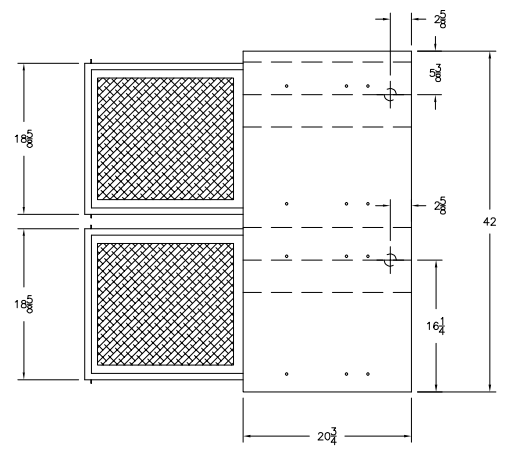
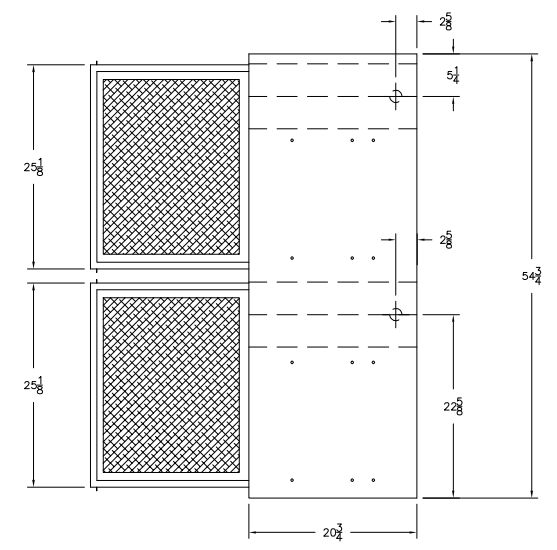
ST-28, 28B & 28C



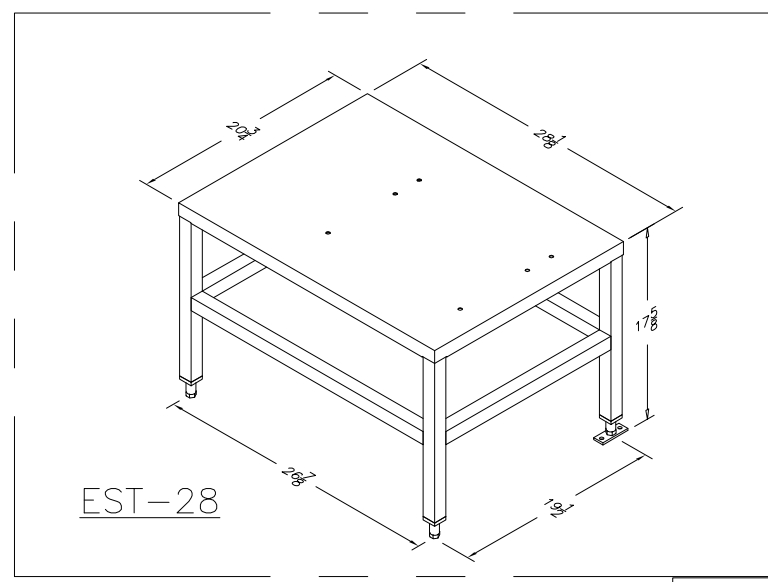
ST-28 SHOWN WITH OPTIONAL SPLASH SHIELD AVAILABLE ON ALL MODELS



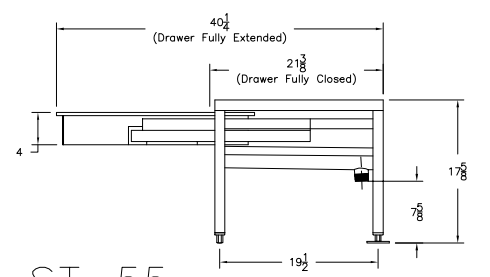
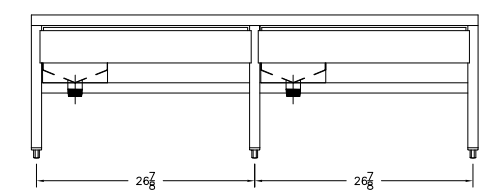
FLANGED FOOT DETAIL  
NOTE: LEG HEIGHT ADJUSTABLE TO 1" MAXIMUM



ST-42



EST-28



ST-55

WARNING: TO PREVENT INJURY  
1. KETTLE BASE MUST BE BOLTED TO STAND  
2. STAND MUST BE BOLTED TO FLOOR

CLEVELAND RANGE RESERVES THE RIGHT OF DESIGN IMPROVEMENT OR MODIFICATIONS AS WARRANTED

NOTE: ALL RELATED VERTICAL DIMENSIONS ARE TAKEN AT MAXIMUM ADJUSTED FOOT HEIGHT OF 1"

THIS DESIGN COVERS A PROPRIETARY ITEM AND IS THE PROPERTY OF CLEVELAND RANGE LTD. THE DRAWING IS SUBJECT TO BE COPIED OR USED WITHOUT THE APPROVAL OF CLEVELAND RANGE LTD.  
FOR GENERAL TOLERANCES REFER TO PRE-98

**MATERIAL TYPE & GRADE**  
**FORM SIZE**  
**FINISH**

**CLEVELAND RANGE LTD.**  
8251 KEELE STREET, CONCORD, ONTARIO, CANADA

DO NOT SCALE PRINTED DRAWING  
DRAWN BY **MICHAEL**  
DATE

**TITLE** ST STANDS AND KETTLE MOUNTING  
**BROCHURE DRAWING; ST-28, EST-28, ST-42, ST-55**

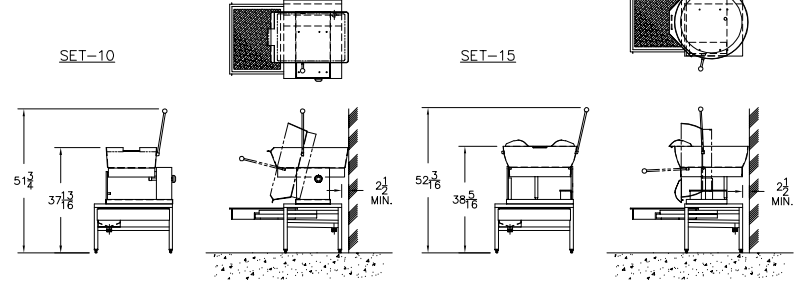
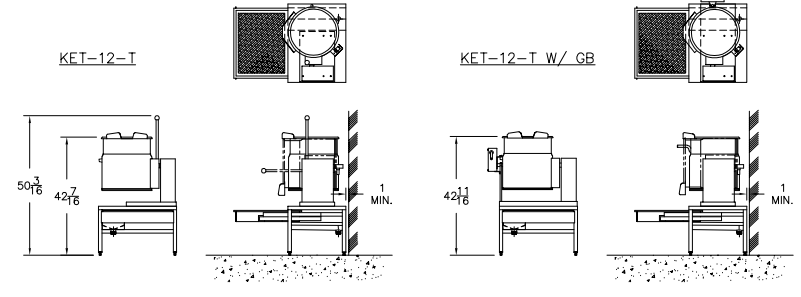
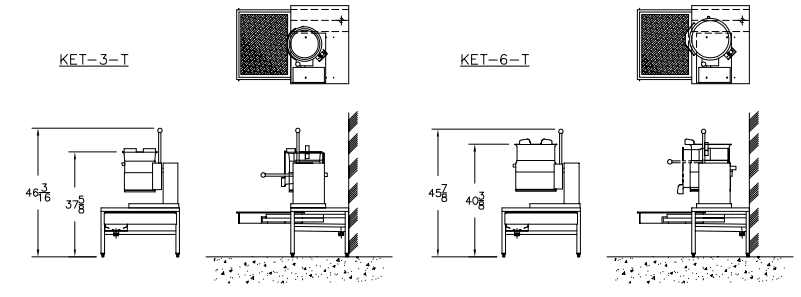
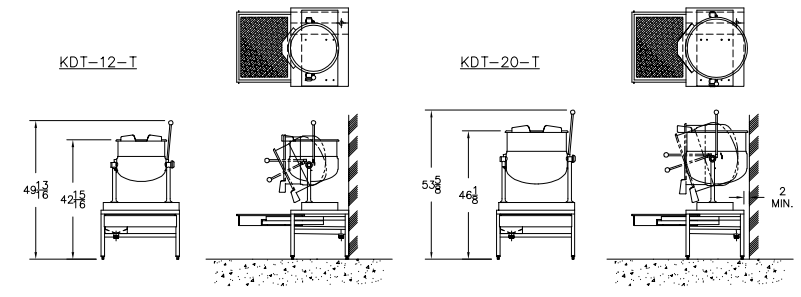
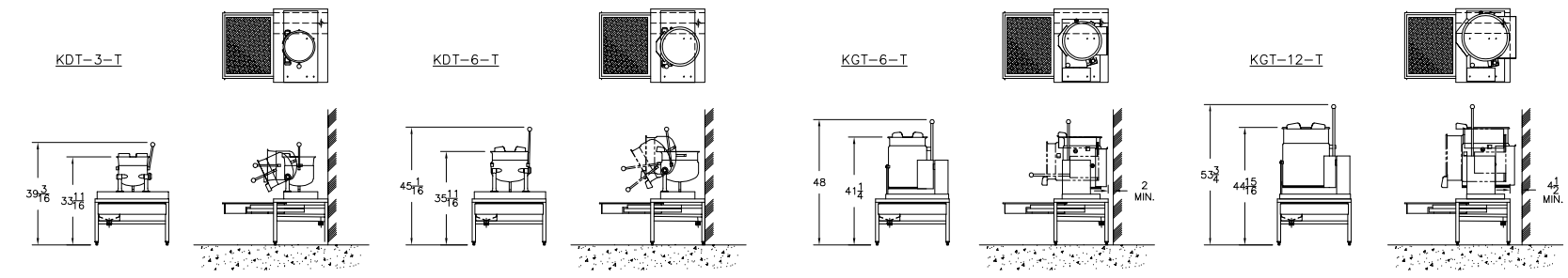
SIZE **D**  
DRAWING NO. **KE95516**  
SHEET 1 OF 3  
REV **G**

#	DESCRIPTION	DATE	APPROVED
G	MODEL ST-28C CREATED ON MOUNTING GUIDE	06/09/2009	HJamshidi

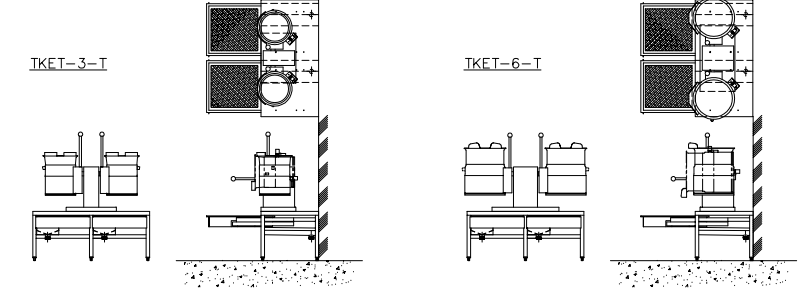
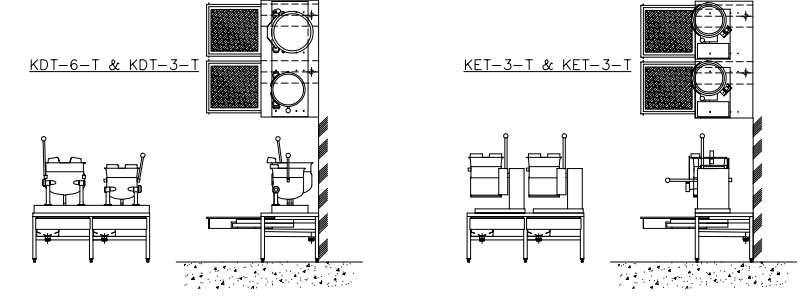
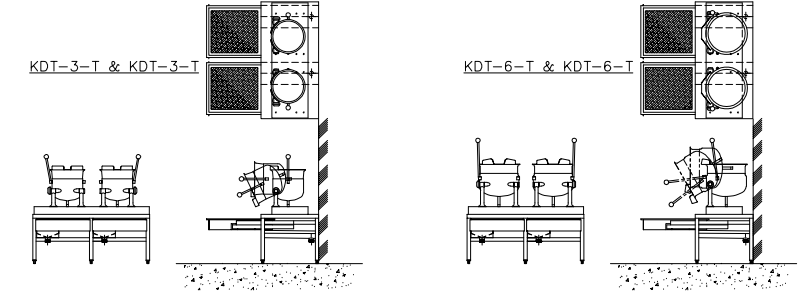
MOUNTING GUIDE FOR ST-28/ EST-28/ ST-28B/ ST-28C \*

( ST-28 SHOWN ONLY - MOUNTING HOLES COMMON BETWEEN ST-28, ST-28B, ST-28C & EST-28 )

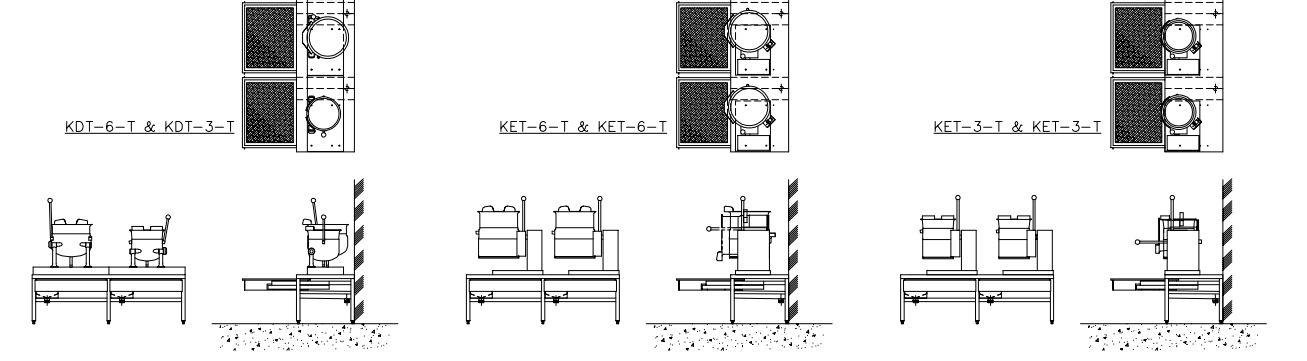
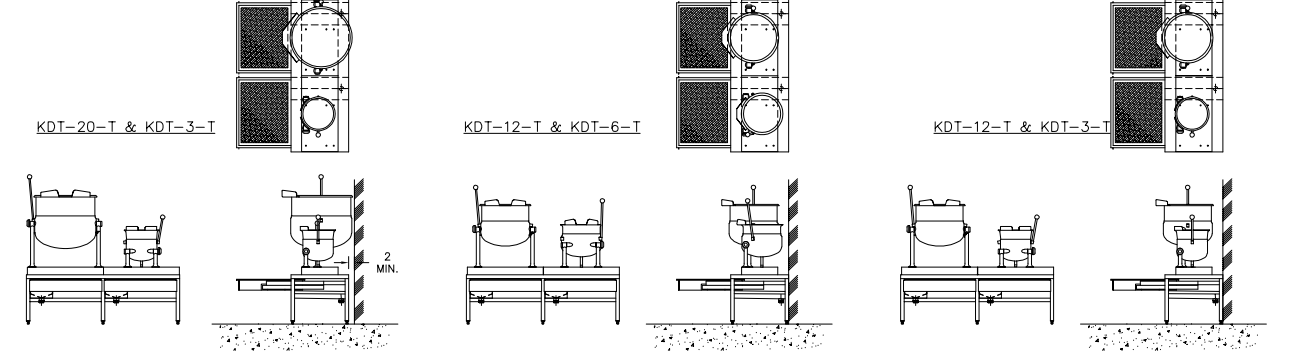
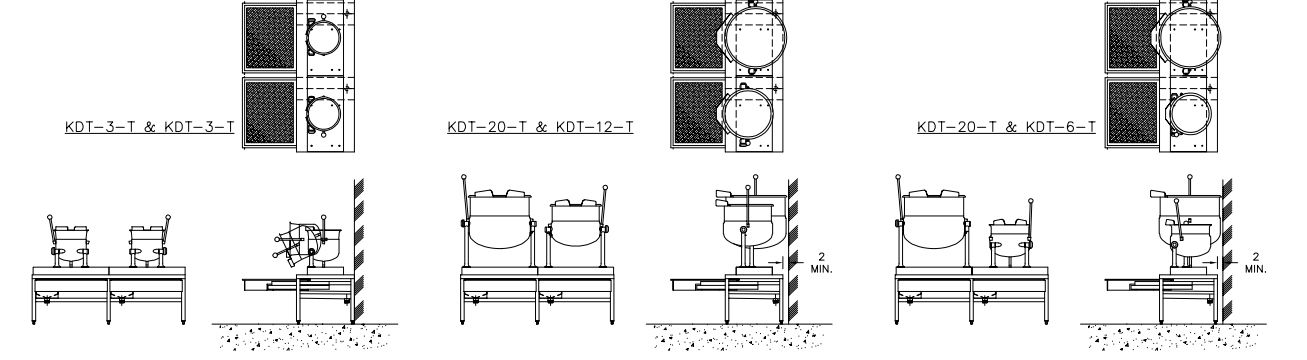
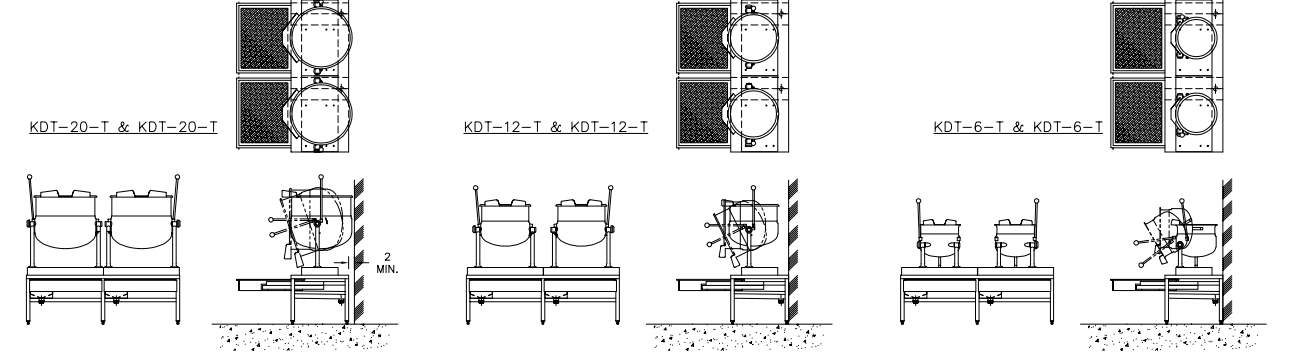
\* NOTE: ON ASSEMBLIES USING ST-28B AND ST-28C STANDS, ALL VERTICAL DIMENSIONS INCREASE BY 4" AND 7 3/8" RESPECTIVELY



MOUNTING GUIDE FOR ST-42

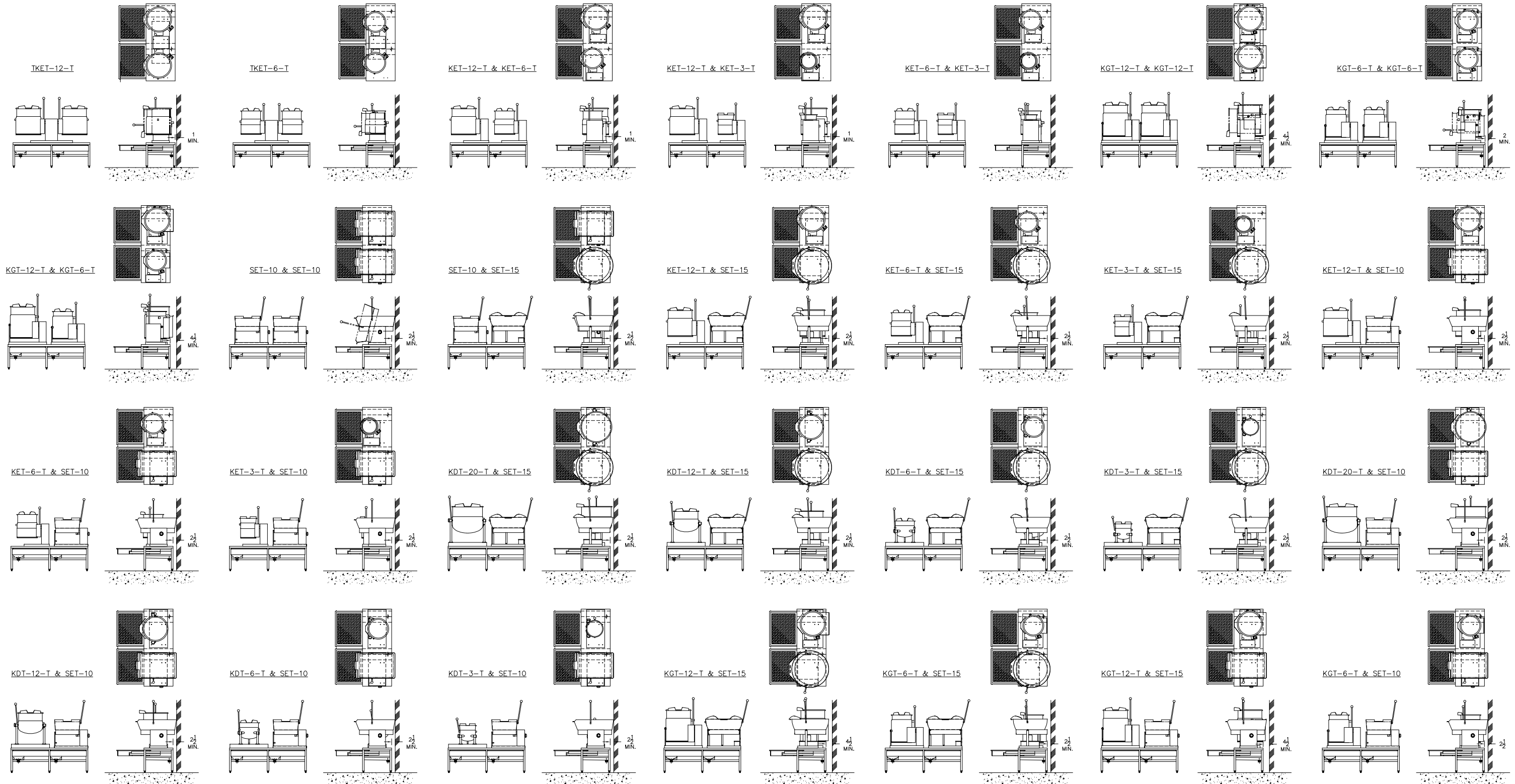


MOUNTING GUIDE FOR ST-55



CONTINUED ON SHEET 3

<small>THIS DESIGN COVERS A PROPRIETARY ITEM AND IS THE PROPERTY OF CLEVELAND RANGE LTD. THIS DRAWING IS NOT TO BE COPIED OR USED WITHOUT THE APPROVAL OF CLEVELAND RANGE LTD.</small>		<small>FOR GENERAL TOLERANCES REFER TO PAR. 40</small>		<b>CLEVELAND RANGE LTD.</b> 8251 KEELE STREET, CONCORD, ONTARIO, CANADA		<b>TITLE</b> ST STANDS AND KETTLE MOUNTING BROCHURE DRAWING; ST-28, EST-28, ST-42, ST-55	
<b>MATERIAL TYPE &amp; GRADE</b> <b>FORM</b> <b>SIZE</b> <b>FINISH</b>	<b>DO NOT SCALE PRINTED DRAWING</b>	<b>DRAWN BY</b> MICHAEL	<b>DATE</b>	<b>SIZE</b> D	<b>DRAWING NO.</b> KE95516	<b>SHEET 2 OF 3</b>	<b>REV</b> G



CONTINUED FROM SHEET 2