



**IMPORTANT FOR FUTURE REFERENCE**

Please complete this information and retain this manual for the life of the equipment:

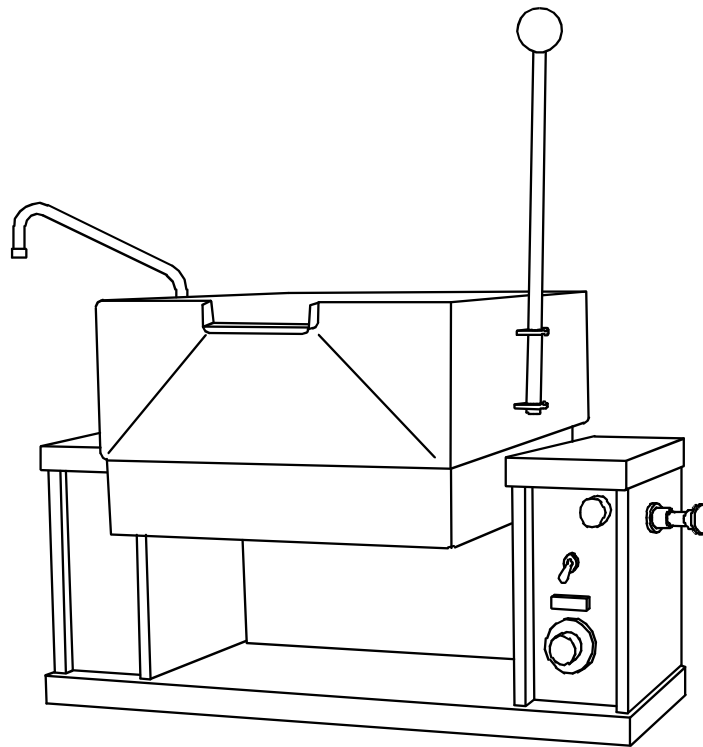
Model #: \_\_\_\_\_

Serial #: \_\_\_\_\_

Date Purchased: \_\_\_\_\_

## PARTS LIST

### Electric Counter Tilting Skillet ECTS-12



 **WARNING**

Improper installation, adjustment, alteration, service or maintenance can cause property damage, injury or death. Read the installation, operating and maintenance instructions thoroughly before installing or servicing this equipment.

**CROWN FOOD SERVICE EQUIPMENT**

 A Middleby Company

70 Oakdale Road, Downsview (Toronto) Ontario, Canada, M3N 1V9

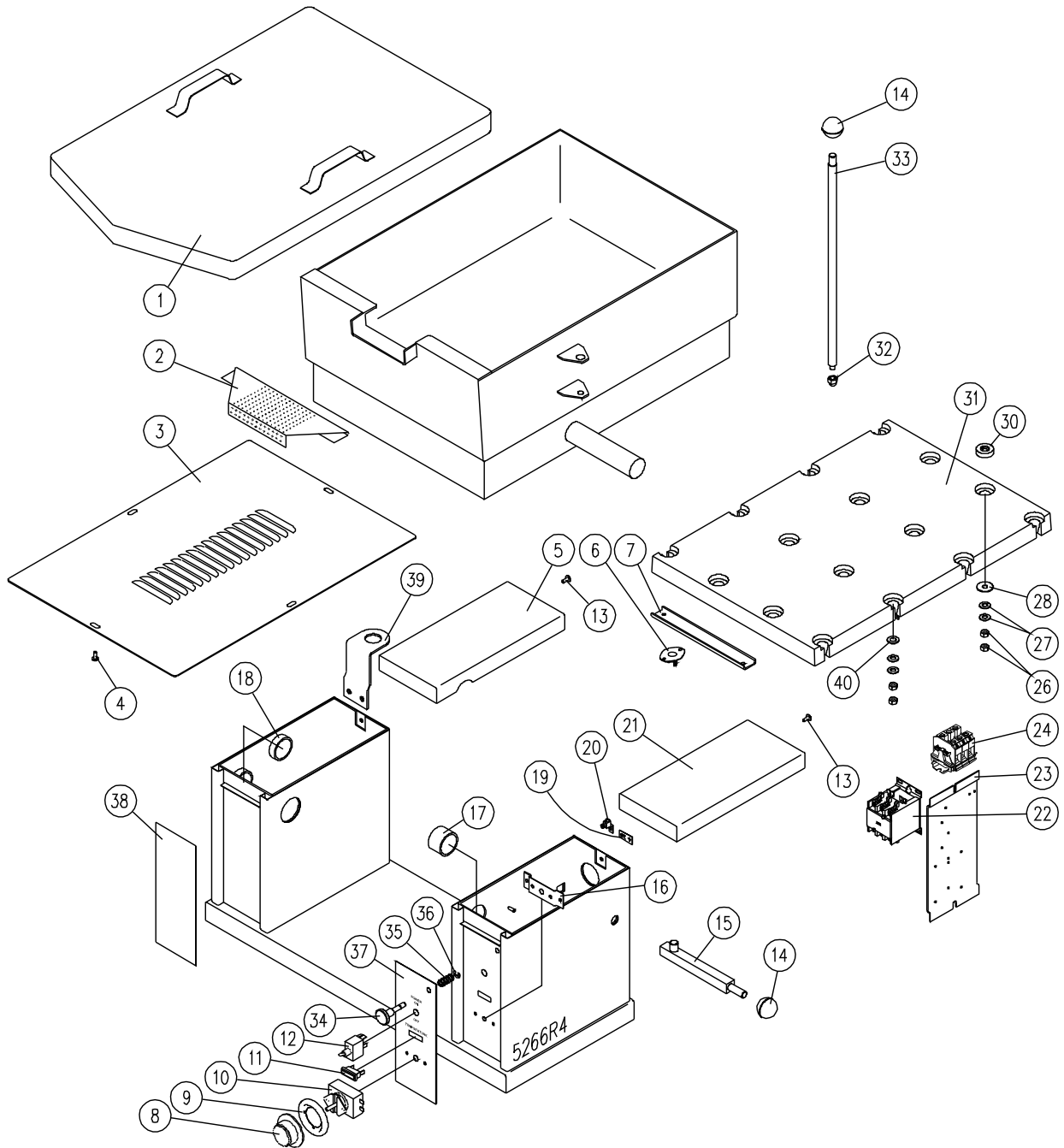
Telephone: 919-762-1000      [www.crownsteamgroup.com](http://www.crownsteamgroup.com)

Printed in Canada



PARTS LIST, ELECTRIC TILTING SKILLET, MODEL ECTS-12

**FIGURE 1**



## PARTS LIST, ELECTRIC TILTING SKILLET, MODEL ECTS-12

<u>ITEM</u>	<u>PART NO.</u>	<u>DESCRIPTION</u>	<u>QUANTITY</u>	
	1.	3059-1	Lift Off Cover	1
	2.	7621-1	Strainer	1
	3.	4172-1	Bottom Cover (9-1003)	1
	4.	M33S-1032-12	Screw 10 - 32 x 1/2	4
	5.	3052-2	Console Cover, Left Hand	1
	6.	4874-1	High-Limit Thermostat	1
	7.	3828-1	Thermostat Bulb Clamp	1
**	8.	4736-1	Dial (°F)	1
		4737-1	Dial (°C)	1
	9.	4-TB05	Bezel	1
	10.	4-TH47	Thermostat	1
	11.	4-PL08	Pilot Light	1
	12.	9110-1	Power Switch	1
	13.	M33S-1032-12	Screw, 10 - 32 x 1/2	2
	14.	2-KB01	Knob	2
	15.	3965-1	Rest Bar	1
	16.	4473-1	Thermostat Mounting Bracket	1
	17.	3968-1	Bearing	2
	18.	3413-1	Bearing	2
	19.	4188-1	Earth I.D. Tag	1
	20.	4-70EU	Ground Lug	1
	21.	3052-1	Console Cover, Right Hand	1
**	22.	9348-208	Contactor (208, 220, 240V)	2
		9348-208	Contactor (380, 415, 220/380, 240/415, 480, 600V)	1
	23.	9-3217	Component Mounting Plate	1

## PARTS LIST, ELECTRIC TILTING SKILLET, MODEL ECTS-12

<u>ITEM</u>	<u>PART NO.</u>	<u>DESCRIPTION</u>	<u>QUANTITY</u>	
**	24.	6161-3	Terminal Block Assembly, 3 Poles, (208V-240V)	1
		Includes the following parts:		
		9374-1	Modular Terminal, Grey	3
		9375-1	End Plate	1
		9369-1	End Clamp	2
		9368-079	Mounting Rail, 79 mm	1
		9390-3	Terminal Block Assembly, 3 Poles (380V-600V)	1
		Includes the following parts:		
		9391-1	Modular Terminal	3
		9392-1	End Plate	1
		9393-1	End Clamp	2
		9394-065	Mounting Rail, 65 mm	1
		9390-4N	Terminal Block Assembly, 4 Poles w/Neutral (380/220V, 415/240V)	1
		Includes the following parts:		
		9391-1	Modular Terminal	3
		9391-2	Modular Terminal, Blue	1
		9392-1	End Plate	1
		9393-1	End Clamp	2
		9394-065	Mounting Rail, 65 mm	1
* **	25A	9092-3	Fuse, 250V, 3A, (208-240V Units)	2
		9092-3	Fuse, 250V, 3A (380/220V Units)	1
		9001-2	Fuse, 600V, 1/2A (380-600V Units)	2
* **	25B	9068-1	Fuse Holder, 300V, (208 - 240V Units)	2

## PARTS LIST, ELECTRIC TILTING SKILLET, MODEL ECTS-12

<u>ITEM</u>	<u>PART NO.</u>	<u>DESCRIPTION</u>	<u>QUANTITY</u>	
	9068-1	Fuse Holder, 300V, 25A, (380/220V & 415/240V Units)	1	
	9002-1	Fuse Holder, 600V, 30A (380 - 600V Units)	2	
26.	HN01X-51618	Hex Nut, 5/16 - 18	32	
27.	9063-1	Bellville Washer	32	
28.	9078-1	Flat Washer, 5/16 x 1" OD	8	
* **	29.	4-T251	Transformer, 380-220, 50/60 Hz, 100VA	1
		4-T251	Transformer, 415-220, 50/60 Hz, 100VA	1
		4-T255	Transformer, 480-240, 60 Hz, 100VA	1
		4-T260	Transformer, 600-240, 60 Hz, 100VA	1
	30.	3599-1	Spacer	16
**	31.	7-70580	Element Block, 9 kW, 208V	1
		7-70582	Element Block, 9 kW, 220 (380)V	1
		7-70581	Element Block, 9 kW, 240 (415)V	1
		7-70583	Element Block, 9 kW, 480V	1
		7-70585	Element Block, 9 kW, 347 (600)V	1
	32.	ANL05-3816	Acorn Nut	1
	33.	3589-1	Tilt Handle	1
	34.	3964-1	Locking Knob	1
	35.	9320-1	Compression Spring	1
	36.	9047-31	External Retaining Ring, 5/16	1
	37.	3174-1	Operating Console Decal	1
	38.	7155-1	Left Console Decal	1
*	39.	3931-1	Faucet Bracket (Optional)	1
	40.	F201X-38	Flat Washer, 3/8	8

\* NOT SHOWN.

\*\* SELECT AS REQUIRED.