



IMPORTANT FOR FUTURE REFERENCE

Please complete this information and retain this manual for the life of the equipment:

Model #: _____

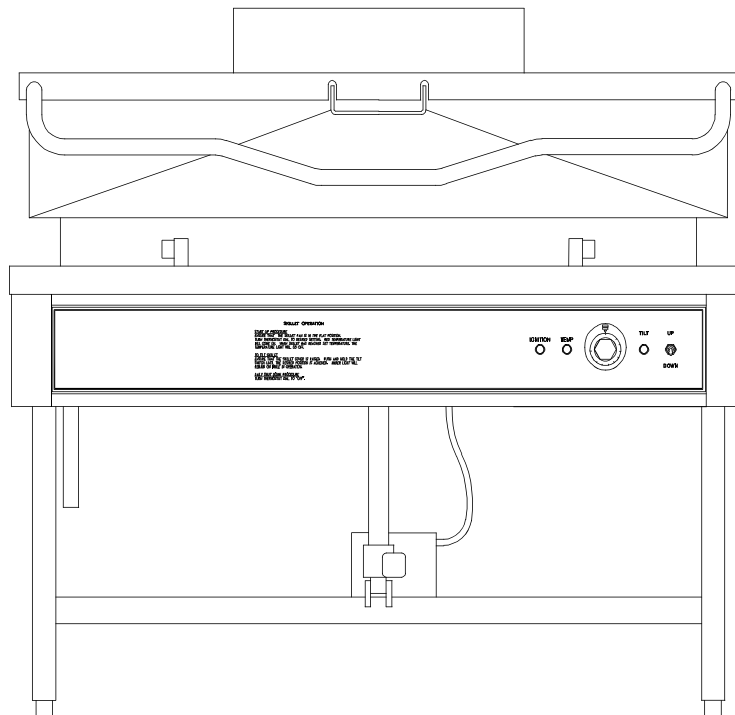
Serial #: _____

Date Purchased: _____

PARTS LIST

Gas Power Tilt Skillets


GLTS-30 GLTS-40



WARNING

Improper installation, adjustment, alteration, service or maintenance can cause property damage, injury or death. Read the installation, operating and maintenance instructions thoroughly before installing or servicing this equipment.

CROWN FOOD SERVICE EQUIPMENT

 A Middleby Company

70 Oakdale Road, Downsview (Toronto) Ontario, Canada, M3N 1V9

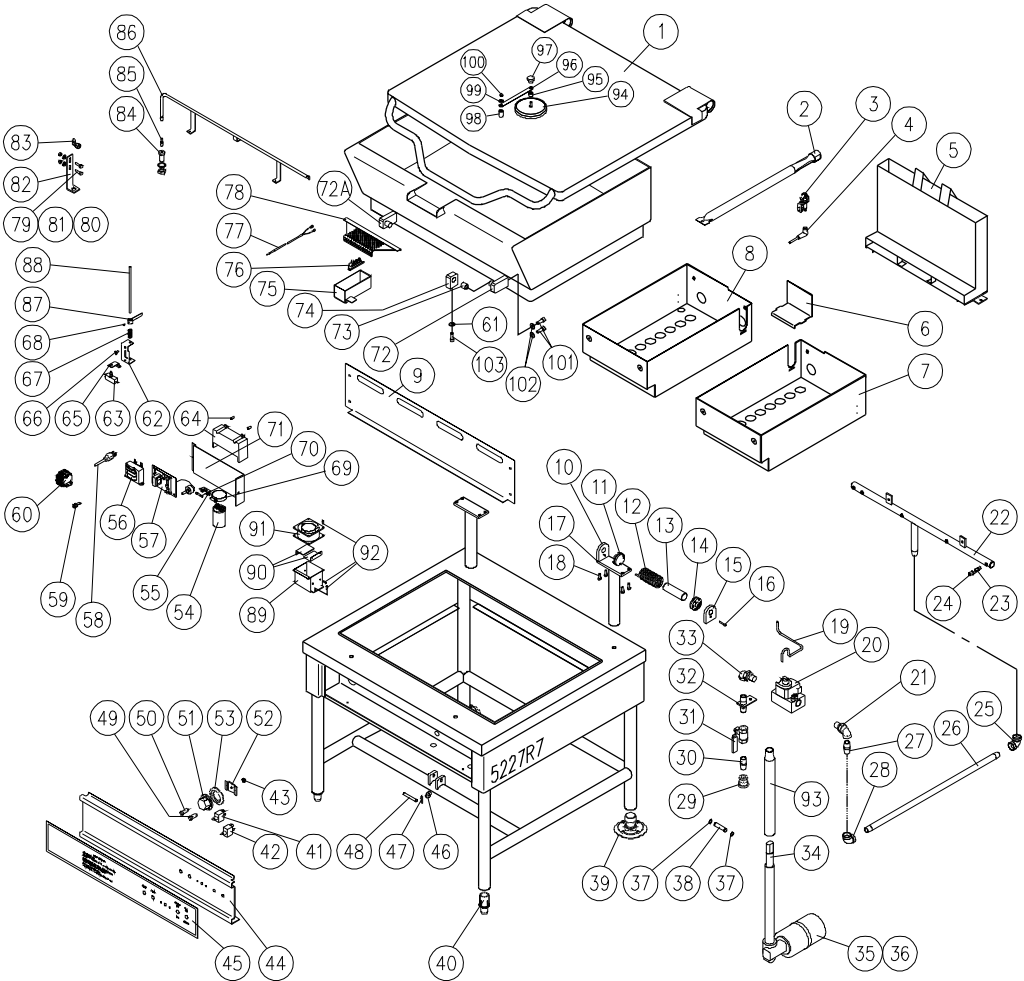
Telephone: 919-762-1000 www.crownsteamgroup.com

Printed in Canada



PARTS LIST, GAS TILTING SKILLETS, MODELS GLTS-30, GLTS-40

FIGURE 1



PARTS LIST, GAS TILTING SKILLETS, MODELS GLTS-30, GLTS-40

FIGURE 1

<u>ITEM</u>	<u>PART NO.</u>	<u>DESCRIPTION</u>	<u>QUANTITY</u>	
			<u>GLTS-30</u>	<u>GLTS-40</u>
1.	8113-4	Pan Cover Assembly	1	
	8114-4	Pan Cover Assembly		1
2.	7227-1	Burner	4	6
**	9-3380	Pilot Complete With Spark Ignitor, Natural Gas	1	1
	9-3380-1	Pilot Complete With Spark Ignitor, Propane	1	1
4.	5169-2	Ignition Cable	1	1
5.	6891-1	Flue Assembly	1	
	6888-1	Flue Assembly		1
6.	4872-1	Compartment Spacer	1	1
7.	7126-1	Right Hand Burner Compartment	1	
	7128-1	Right Hand Burner Compartment		1
8.	7125-1	Left Hand Burner Compartment	1	
	7127-1	Left Hand Burner Compartment		1
9.	6897-1	Back Panel	1	
	6898-1	Back Panel		1
10.	8-2021	End Stop Plate	2	2
11.	5429-1	Rotary Disc	2	2
12.	8-2026	Spring	2	2
13.	5430-1	Core	2	2
14.	5428-1	Stationary Disc	2	2
15.	8-2035L	End Lock Plate	2	2
16.	8-2029	Lock Pin	2	2

PARTS LIST, GAS TILTING SKILLETS, MODELS GLTS-30, GLTS-40

<u>ITEM</u>	<u>PART NO.</u>	<u>DESCRIPTION</u>	<u>QUANTITY</u>		
			<u>GLTS-30</u>	<u>GLTS-40</u>	
17.	5651-1	Hinge Support Assembly	2	2	
18.	M50S-1420-34	Hex HD Screw, 1/4 - 20 x 3/4"	8	8	
19.	5724-1	Pilot Burner Tube, 30 gallon	1		
	5724-2	Pilot Burner Tube, 40 gallon		1	
**	20.	5450-1	Combination Gas Control, Natural Gas	1	1
		5450-2	Combination Gas Control, LP	1	1
21.	4446-1	Union Elbow Assembly, 1/2"	1	1	
22.	2432-1	Gas Manifold Assembly	1		
	1189-1	Gas Manifold Assembly		1	
23.	3-122A	Orifice Nipple	4	6	
**	24.	9-3351-44	Burner Orifice, Natural Gas	4	
		9-3351-47	Burner Orifice, Natural Gas		6
		9-3351-55	Burner Orifice, LP	4	
		9-3351-56	Burner Orifice, LP		6
25.	9011-3	90° Elbow, 1/2"	1	1	
26.	9009-274	Pipe, 1/2" x 27-1/2"	1	1	
27.	9009-014	Nipple, 1/2" x 1-1/2"	1	1	
28.	9011-3	90° Elbow, 1/2"	1	1	
29.	9034-1	Reducing Coupling, 3/4" x 1/2"	1	1	
30.	9009-000	Close Nipple, 1/2"	1	1	
31.	4918-1	Gas Shut Off Valve	1	1	
32.	5239-1	Nipple with Flange, 1/2" x 2-1/2"	1	1	
33.	3-U4BE	Union Elbow, 1/2"	1	1	
**	34.	5526-1	Ball Drive Actuator Assembly, 115V (Includes 35, 36, 93)	1	1

PARTS LIST, GAS TILTING SKILLETS, MODELS GLTS-30, GLTS-40

<u>ITEM</u>	<u>PART NO.</u>	<u>DESCRIPTION</u>	<u>QUANTITY</u>	
			<u>GLTS-30</u>	<u>GLTS-40</u>
	5525-1	Ball Drive Actuator Assembly, 220V (Includes 35, 36, 93)	1	1
**	35.	9-3329 Motor 115V	1	1
		9-3326 Motor 220V	1	1
	36.	4267-1 Motor Cover	1	1
	37.	1-R350 Retaining Ring	2	2
	38.	4062-1 Yoke Pin	1	1
*		4060-1 Bushing	2	2
	39.	8-1308 Adjustable Foot-Flanged	2	2
	40.	5-FS64-1 Adjustable Foot	2	2
	41.	9110-1 Power Switch	1	1
	42.	9111-1 Up/Down Switch	1	1
	43.	9109-2 Rotary Shaft Seal	1	1
	44.	2527-1 Control Panel	1	
		2609-1 Control Panel		1
	45.	6854-2 Control Panel Label	1	
		6855-2 Control Panel Label		1
	46.	9078-2 Washer, 1" Diameter x 3/8 OD	1	1
	47.	5329-2 Cotter Pin, 1/8 x 3/4 S.S.	1	1
	48.	3733-1 Pin Lower	1	1
	49.	5396-8 Pilot Light - Temperature, Red	1	1
	50.	5396-7 Pilot Light - Ignition, Green	1	1
**	51.	4352-1 Dial F°	1	1
		4689-1 Dial C°	1	1
	52.	3691-1 Pot Spacer	1	1

PARTS LIST, GAS TILTING SKILLETS, MODELS GLTS-30, GLTS-40

<u>ITEM</u>	<u>PART NO.</u>	<u>DESCRIPTION</u>	<u>QUANTITY</u>		
			<u>GLTS-30</u>	<u>GLTS-40</u>	
53.	4-TB05	Bezel	1	1	
**	54.	9-3327	Capacitor 30 MFD, 120V	1	1
		9-3324	Capacitor 10 MFD, 220V	1	1
55.	9068-1	Fuse Holder	1	1	
**	56.	9-3383	Transformer, 120V-24V	1	1
		9123-1	Transformer, 230V-24V, 50VA, (220V Units)	1	1
**	57.	5555-1	Temperature Control complete with Potentiometer, 120V	1	1
		5555-2	Temperature Control complete with Potentiometer, 240V	1	1
58.	4127-3	Power Cord - 120V Only	1	1	
59.	4-35EU	Ground Lug	1	1	
60.	9390-2	Terminal Block Assembly, 2 Pole	1	1	
		Includes the following parts:			
		9391-1	Modular Terminal	2	2
		9392-1	End Plate	1	1
		9393-1	End Clamp	2	2
		9394-053	Mounting Rail	1	1
61.	S01X-12	Lock Washer, 1/2"	2	2	
62.	5415-1	Switch Mounting Bracket	1	1	
63.	9-3213	Limit Switch	1	1	
64.	9210-2	Ignition Module	1	1	
		9082-4	Phenolic Spacer, # 8 x 1/2"	2	2
65.	5416-1	Switch Bracket	1	1	
66.	M33S-1024-38	Machine Screw, 10-24 x 3/8"	2	2	

PARTS LIST, GAS TILTING SKILLETS, MODELS GLTS-30, GLTS-40

<u>ITEM</u>	<u>PART NO.</u>	<u>DESCRIPTION</u>	<u>QUANTITY</u>	
			<u>GLTS-30</u>	<u>GLTS-40</u>
67.	5419-1	Spring	1	1
68.	9061-12	Set Screw, 8-32 x 3/16	1	1
69.	9017-5	Gear Clamp	1	1
70.	9092-1	Fuse - 1 Amp, 250V	1	1
71.	4471-1	Control Mounting Plate	1	1
72.	5878-1	Pan Bracket Assembly, RH	1	1
72A.	5878-2	Pan Bracket Assembly, LH	1	1
73.	3704-1	Bushing	2	2
74.	5877-1	Bracket Assembly	2	2
75.	2426-2	High-Limit Box	1	1
76.	9-3021	High-Limit Safety Thermostat	1	1
77.	9288-60	Thermocouple	1	1
*	9351-06BK310	Sleeve, High Limit and Thermocouple	1	1
78.	7380-1	Strainer	1	1
79.	M50C-1420-12	Hex Cap Screw, 1/4-20 x 1/2	2	2
80.	S01X-14	Lock Washer, 1/4"	2	2
81.	9029-1	Hex Nut, 1/4 - 20	2	2
82.	3991-1	Lighter Orifice Bracket	1	1
83.	3-694A	Elbow, 1/4 cc x 1/8 MPT	1	1
84.	3-1495BA	Terminal Bolt, Brass	1	1
**	9-3335-56	Lighter Orifice, Natural Gas	1	1
	9-3335-65	Lighter Orifice, LP	1	
	9-3335-72	Lighter Orifice, LP		1
86.	6350-2	Lighter Tube	1	
	6351-2	Lighter Tube		1

PARTS LIST, GAS TILTING SKILLETS, MODELS GLTS-30, GLTS-40

<u>ITEM</u>	<u>PART NO.</u>	<u>DESCRIPTION</u>	<u>QUANTITY</u>		
			<u>GLTS-30</u>	<u>GLTS-40</u>	
87.	5418-1	Switch Actuator	1	1	
88.	5417-1	Actuator Rod	1	1	
89.	7229-1	Fan Bracket	1	1	
90.	5410-1	Deflector	2	2	
**	91.	9113-1	Box Fan, 120V	1	1
		9113-2	Box Fan, 240V	1	1
92.	M23C-632-14	Machine Screw, 6-32 x 1/4"	10	10	
93.	5400-1	Lift Jack Extension Shield	1	1	
94.	4139-1	Vent Cover	1	1	
95.	4355-1	Swivel Spacer	1	1	
96.	5817-1	Arm	1	1	
97.	9248-1	Knob	1	1	
98.	4355-1	Swivel Base	1	1	
99.	F05N-14	Washer, 1/4 SS	1	1	
100.	9031-5	Acorn Nut, 1/4-20 x 3/8 SS	1	1	
101.	M68P-3816-1	Hex Socket Head Screw, 3/8-16 x 1	4	4	
102.	S01X-38	Split Lock Washer, 3/8	4	4	
103.	M68P-1213-1	Hex Socket HD Screw, 1/2-13 NC x 1	2	2	

* NOT SHOWN.

** SELECT AS REQUIRED.