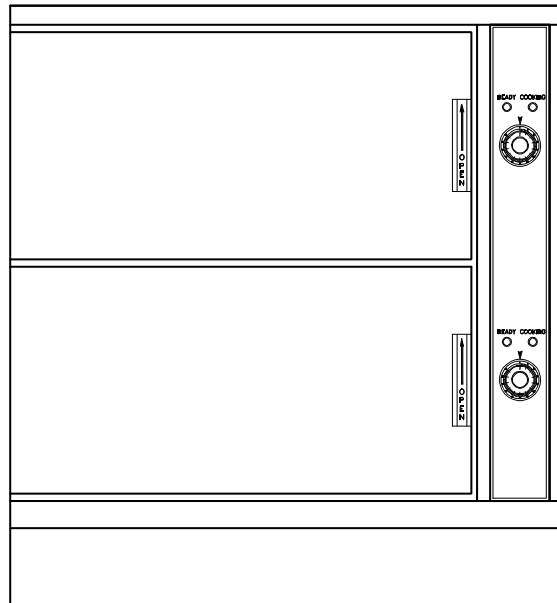




IMPORTANT FOR FUTURE REFERENCE
 Please complete this information and retain this manual for the life of the equipment:

Model #: _____
 Serial #: _____
 Date Purchased: _____

PARTS LIST
Two Compartment Steamer 'Hcd'
CX-0%
 I gYX'cb'. 87 L!% '97 L!% ' ; 7 L!% 'G7 L!%



⚠ WARNING

Improper installation, adjustment, alteration, service or maintenance can cause property damage, injury or death. Read the installation, operating and maintenance instructions thoroughly before installing or servicing this equipment.

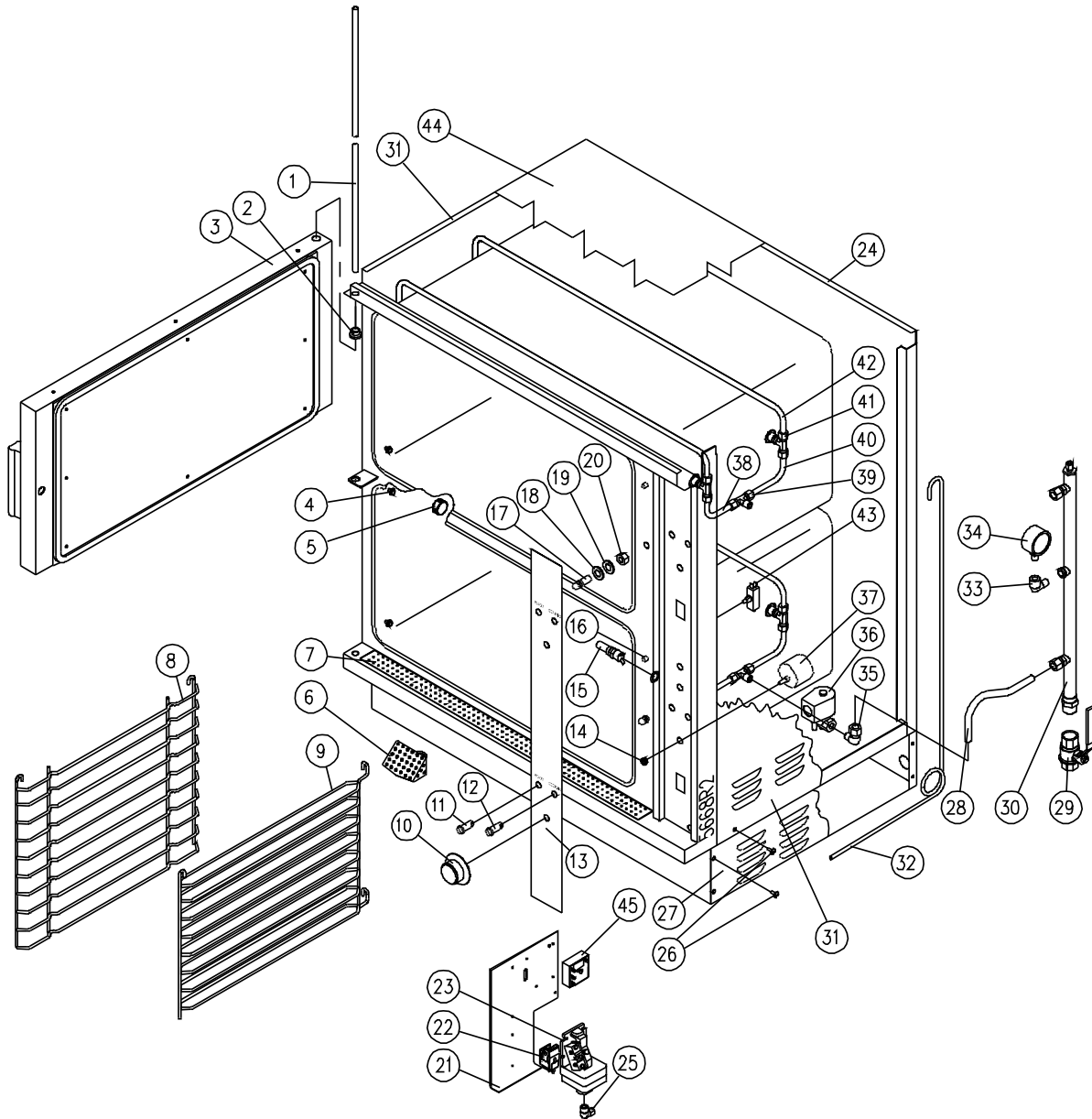
CROWN FOOD SERVICE EQUIPMENT

A Middleby Company
 70 Oakdale Road, Downsview (Toronto) Ontario, Canada, M3N 1V9
 Telephone: 919-762-1000 www.crownsteamgroup.com
 Printed in Canada



PARTS LIST, 16 PAN PRESSURELESS COOKER WITH LOAD COMPENSATION,
MODELS: DCX-16, ECX-16, GCX-16, SCX-16

FIGURE 1



PARTS LIST, 16 PAN PRESSURELESS COOKER WITH LOAD COMPENSATION,
 MODELS: DCX-16, ECX-16, GCX-16, SCX-16

FIGURE 1

<u>ITEM NUMBER</u>	<u>PART NUMBER</u>	<u>DESCRIPTION</u>	<u>QUANTITY</u>
1.	4247-1	Hinge Rod	1
2.	4248-1	Bronze Flanged Bushing	8
3.	4251-1	Door Assembly	2
4.	4721-1	Hanger Pin Assembly	12
5.	3502-2	Steam Diverter Kit	8
6.	5224-2	Compartment Strainer	2
7.	8-5023-6	Perforated Trough	1
8.	2681-2	Pan Rack	4
9.	2667-1	Centre Pan Support	2
10.	4103-1	Timer Knob, 60 Min., 50 Hz	2
	4104-1	Timer Knob, 60 Min., 60 Hz	2
11.	4-PL04	Pilot Light, Green	2
12.	4-PL07	Pilot Light, Red	2
13.	2663-2	Control Panel Decal	1
14.	9109-1	Rotary Shaft Seal	2
15.	3-TS01	Thermal Switch	2
16.	9-3336	Actuator Pin	2
17.	8-5021	Striker	2
18.	8-5022	Flat Washer, 1/2	2
19.	S05N-12	Split Lock Washer, 1/2	2
20.	1-89S0	Hex Nut, 1/2 - 20 UNF, Stainless Steel	2
21.	2718-1	Component Panel	1
22.	3821-1	Buzzer	1
23.	9411-1	Pressure Switch Assembly	1

PARTS LIST, 16 PAN PRESSURELESS COOKER WITH LOAD COMPENSATION,
 MODELS: DCX-16, ECX-16, GCX-16, SCX-16

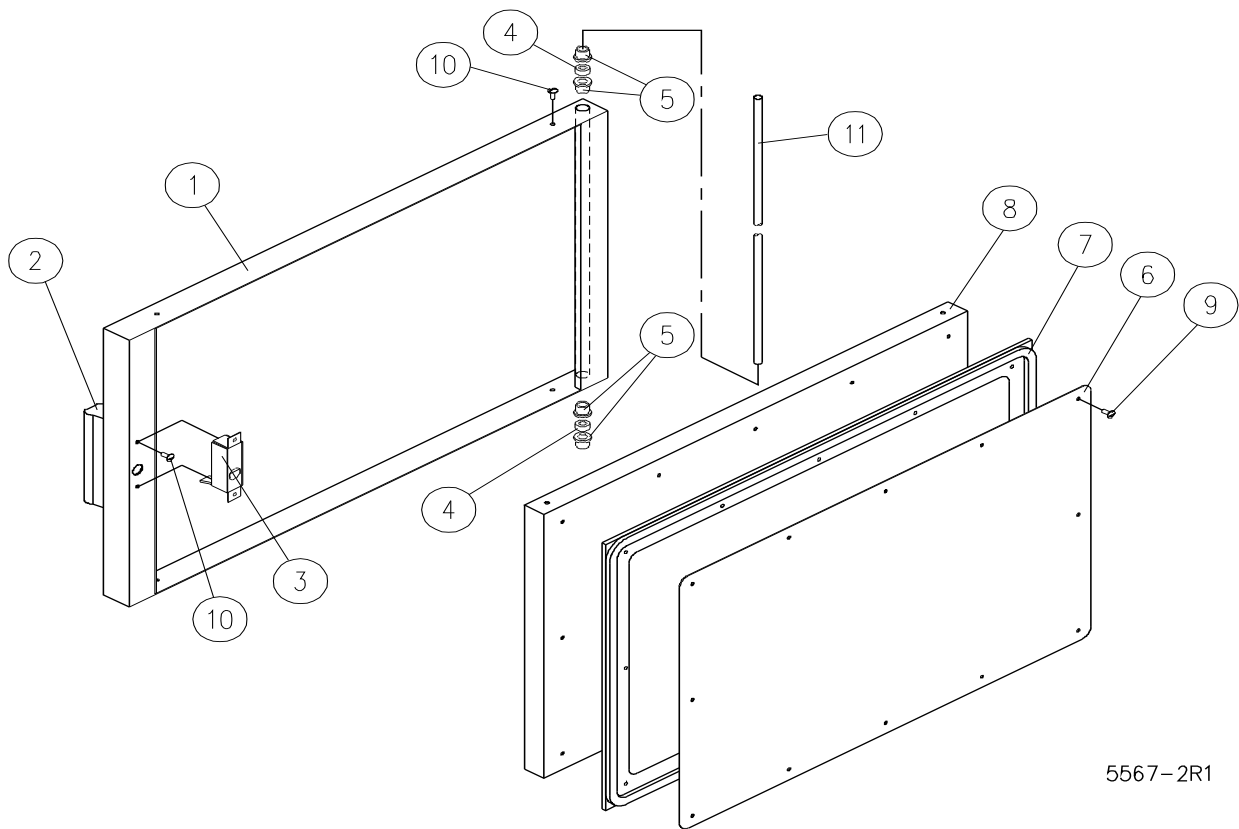
<u>ITEM NUMBER</u>	<u>PART NUMBER</u>	<u>DESCRIPTION</u>	<u>QUANTITY</u>
24.	8641-1	Back Panel	1
25.	3-694B	Elbow, 1/4 C x 1/4 NPTM	1
26.	M33S-1032-12	Truss Head Screw 10 - 32 UNC x 1/2	8
27.	2835-1	Side Riser	2
28.	9-3029-2	Steam Tube, \varnothing 1/2	2
29.	3-BVE0	Steam Control Valve	1
30.	9-3219-2	Steam Manifold Assembly	1
31.	8-5102-6	Side Panel	2
32.	9-3220-2	Steam Tube, \varnothing 1/4	1
33.	3-H116B	Elbow, 1/4 NPTF x 1/4 NPTM	1
34.	3-BM15	Pressure Gauge	1
35.	3-698B	Elbow, 1/2 C x 1/4 NPTM	2
36.	9273-1	Solenoid Valve, 1/2	2
37.	4-T210	Timer, 60 Minutes	2
	9386-2	Timer, 120 Minutes	2
*	9109-1	Rotary Shaft Seal	2
38.	9-3221	Steam Tube - Front, 3/8	2
39.	3-726D	Tee, 3/8C x 1/2 MPT	2
40.	9-3222	Steam Tube - Rear, 3/8	2
41.	3-726B	Tee, 3/8C x 1/4 NPTM	4
42.	4579-1	Steam Supply Crossover Tube	4
43.	9-3213	Door Switch	2
44.	7930-2	Top Cover	1
45.	9229-1	Time Delay Relay	1
* 46.	9-3296-1	Steam Hose	2

PARTS LIST, 16 PAN PRESSURELESS COOKER WITH LOAD COMPENSATION,
MODELS: DCX-16, ECX-16, GCX-16, SCX-16

* NOT SHOWN.

PARTS LIST, 16 PAN PRESSURELESS COOKER WITH LOAD COMPENSATION,
MODELS: DCX-16, ECX-16, GCX-16, SCX-16

FIGURE 2



5567-2R1

PARTS LIST, 16 PAN PRESSURELESS COOKER WITH LOAD COMPENSATION,
 MODELS: DCX-16, ECX-16, GCX-16, SCX-16

FIGURE 2

<u>ITEM</u>	<u>PART NUMBER</u>	<u>DESCRIPTION</u>	<u>QUANTITY</u>
1.	3103-1	Door Frame	1
2.	3903-2	Door Handle Assembly	1
*	3646-1	Decal	1
*	4090-2	Handle	1
*	4089-2	Door Handle, Plate	1
*	2-57S7	Socket Screw, 1/4 - 20 x 1 3/4	2
*	1-57S6	1/4 - 20 x 3/4	1
*	4088-1	Spacer	2
*	2-W0S2	Lock Washer 1/4	2
*	1-59S0	Nut, 1/4 - 20	2
3.	8-5068-9	Latch Assembly	1
4.	4249-1	Spacer, Top Door, Stainless Steel	1
	4250-1	Spacer, Lower Door, Stainless Steel	1
5.	4248-1	Door Bushing	4
6.	8-5065-6	Door Gasket Retainer	1
7.	8-5063-6	Door Gasket	1
8.	8-5060-6	Door Panel	1
9.	9-1011-1	Door Gasket Screw	12
10.	1-34S4	Screw, 10-32 x 1/2	6
11.	4247-1	Hinge Rod	1