



IMPORTANT FOR FUTURE REFERENCE
 Please complete this information and retain this manual for the life of the equipment:

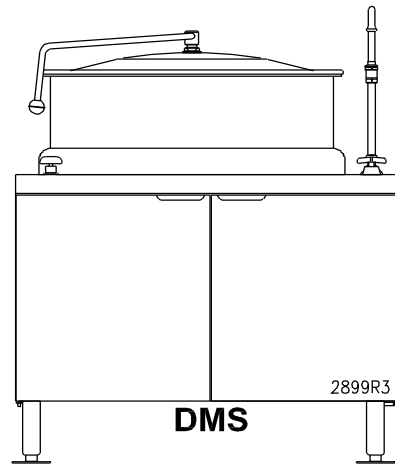
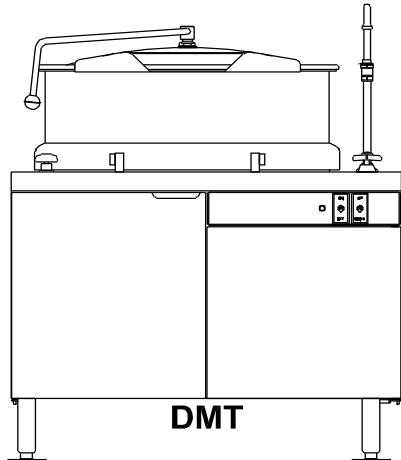
Model #: _____
 Serial #: _____
 Date Purchased: _____

PARTS LIST

Modular Deck Yf 'H] h]b['cf 'GhU]cbUfmi? Yh`Yg`

8 A H! \$`8 A H!(\$`8 A H!* \$

8 A G! \$`8 A G!(\$`8 A G!* \$`



⚠ WARNING

Improper installation, adjustment, alteration, service or maintenance can cause property damage, injury or death. Read the installation, operating and maintenance instructions thoroughly before installing or servicing this equipment.

CROWN FOOD SERVICE EQUIPMENT

A Middleby Company

70 Oakdale Road, Downsview (Toronto) Ontario, Canada, M3N 1V9

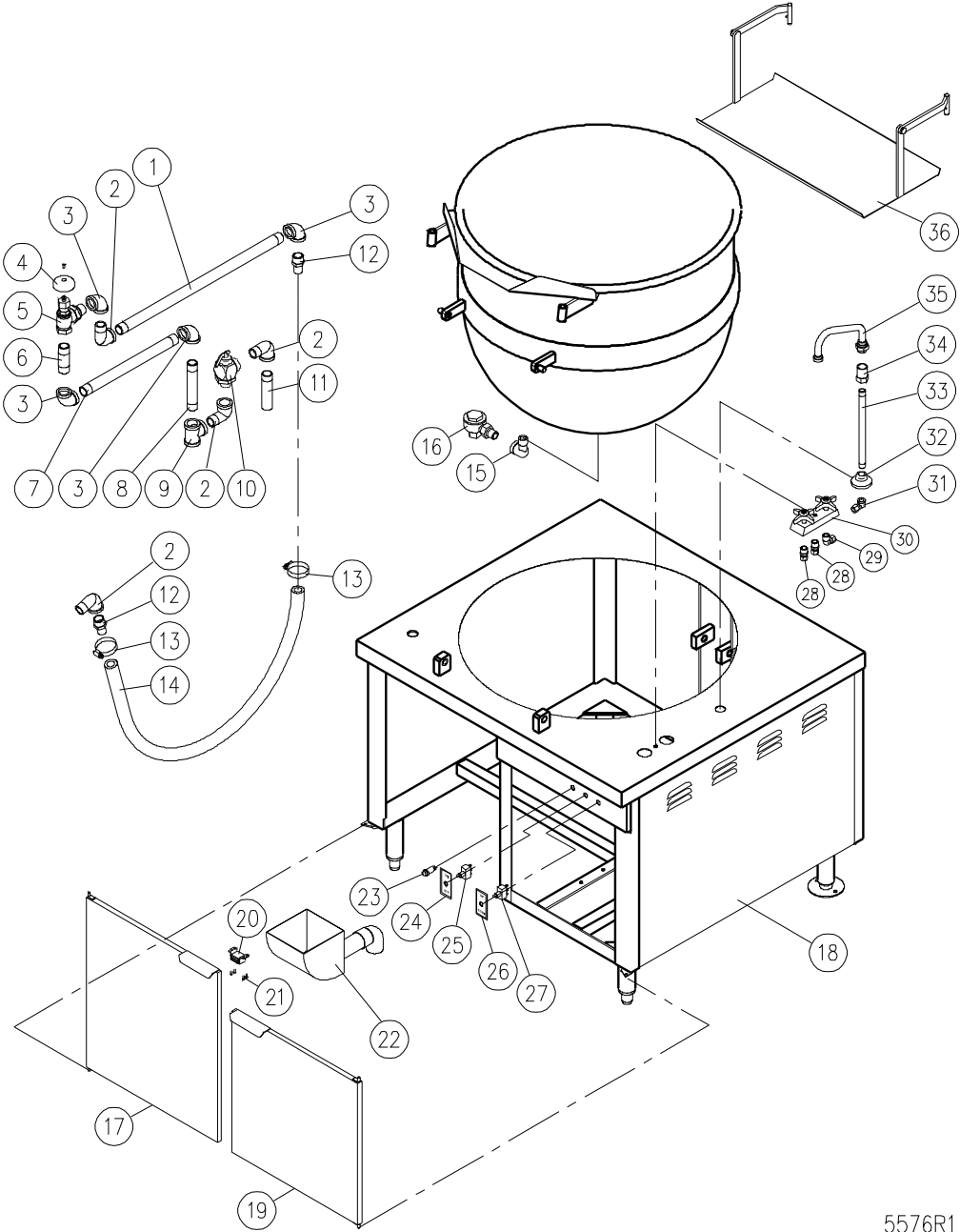
Telephone: 919-762-1000 www.crownsteamgroup.com

Printed in Canada



PARTS LIST, DIRECT STEAM TILTING OR STATIONARY KETTLES,
 MODELS: DMS-30 TO 60, DMT-30 TO 60

FIGURE 1



5576R1

PARTS LIST, DIRECT STEAM TILTING OR STATIONARY KETTLES,
MODELS: DMS-30 TO 60, DMT-30 TO 60

FIGURE 1

<u>ITEM</u>	<u>PART NO.</u>	<u>DESCRIPTION</u>	<u>DMT</u>	<u>DMS</u>	
1	9010-220	Pipe 3/4 x 22"	1	1	
2	9012-4	St. Elbow, 3/4"	4	4	
3	9011-4	Elbow, 3/4"	4	4	
4	3-SC06	Valve Knob	1	1	
5	3-SCE6	Steam Control Valve	1	1	
6	9010-030	Nipple, 3/4 x 3" LG	1	1	
7	9010-120	Nipple, 3/4 x 12" LG	1	1	
8	9010-052	Nipple, 3/4 x 5-1/4" LG	1	1	
9	9013-4	Tee, 3/4"	1	1	
**	10	3-SRV8-1	Relief Valve, 35 psi	1	1
		3-SRV9-1	Relief Valve, 50 psi (Optional)	1	1
11	5184-1	Relief Valve Extension	1	1	
12	9053-1	Hose Coupler, 3/4"	2	2	
13	9017-4	Gear Clamp, 11/16 - 1-1/2"	2	2	
**	14	3919-1	Steam Hose	1	
		3919-2	Steam Hose		1
15	9012-3	St. Elbow, 1/2"	1	1	
16	9170-1	Steam Trap	1	1	
17	3209-1	Left Hand Door, DMT-(30, 40), DMS-(30, 40)	1	1	
	8-1304-2	Left Hand Door, DMT/DMS-60	1	1	
18	8-1305	Side Panel	2	2	
**	19	8-1303	Right Hand Door, DMS-(30, -40)		1
		8-1303-1	Right Hand Door, DMT-(30, -40)	1	

PARTS LIST, DIRECT STEAM TILTING OR STATIONARY KETTLES,
MODELS: DMS-30 TO 60, DMT-30 TO 60

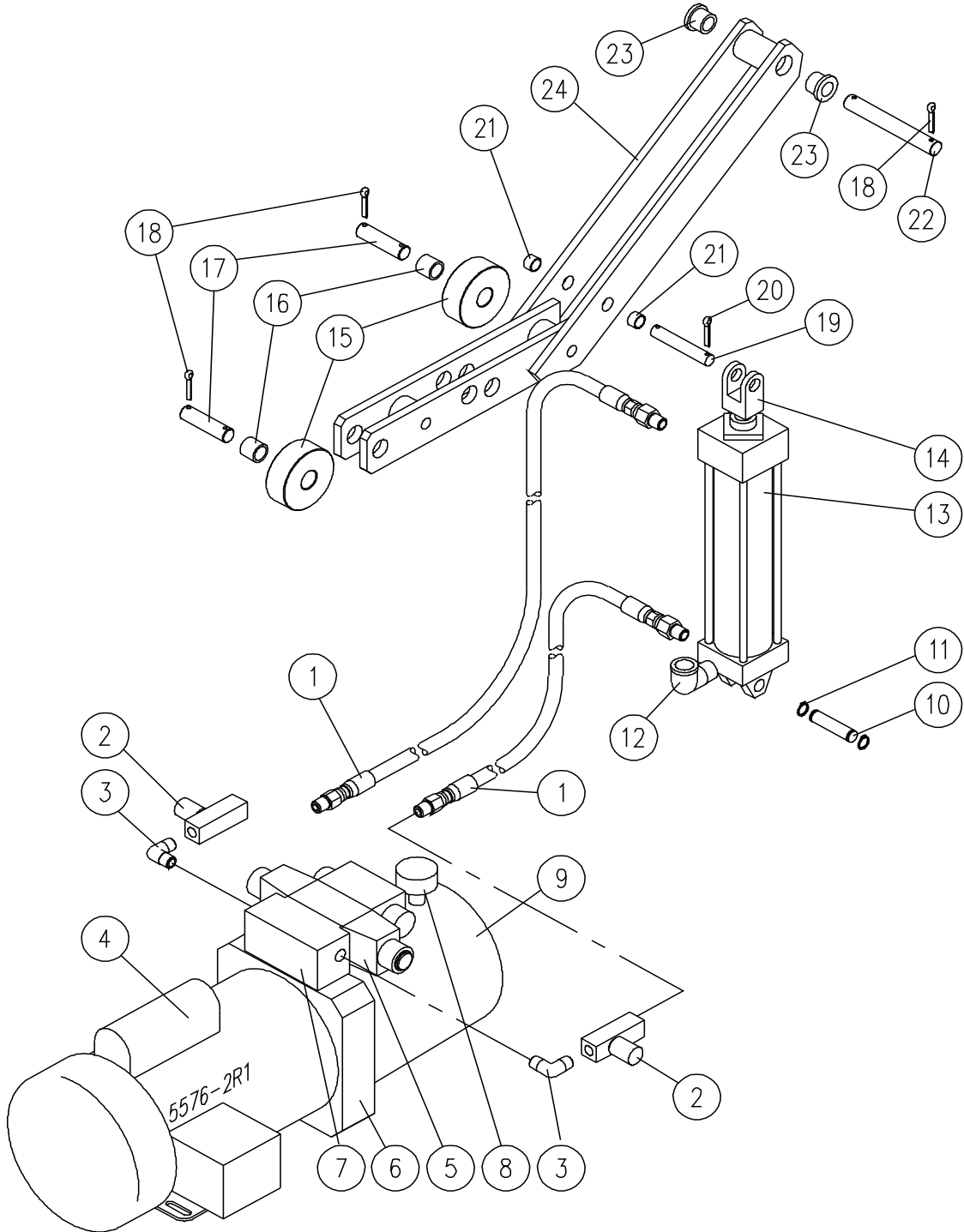
<u>ITEM</u>	<u>PART NO.</u>	<u>DESCRIPTION</u>	<u>DMT</u>	<u>DMS</u>
**	19	8-1303-3		1
		8-1303-2	1	
	20	5-MC02	2	2
	21	1-11C2	8	8
	22	9-3005	1	1
*		9-3006	1	1
*		9-3007	1	1
	23	4-PL06	1	
	24	4832-1	1	
	25	9110-1	1	
	26	4833-1	1	
	27	9111-1	1	
	28	3-686C	2	2
	29	3-696C	1	1
	30	9-3448	1	1
	31	3-706B	1	1
	32	9-3106	1	1
**	33	9-3447	1	1
		9-3447-1	1	1
	34	9-3107-1	1	1
	35	9-3105-1	1	1
**	36	6600-1	1	
		6600-2	1	

* NOT SHOWN.

** SELECT AS REQUIRED.

PARTS LIST, DIRECT STEAM TILTING OR STATIONARY KETTLES,
MODELS: DMS-30 TO 60, DMT-30 TO 60

FIGURE 2



PARTS LIST, DIRECT STEAM TILTING OR STATIONARY KETTLES,
MODELS: DMS-30 TO 60, DMT-30 TO 60

FIGURE 2

<u>ITEM</u>	<u>PART NO.</u>	<u>DESCRIPTION</u>	<u>DMT</u>
1	4511-1	HOSE ASSEMBLY	2
*	9420-1	Straight Fitting MORB-FP	2
2	4512-1	Flow Control	2
3	9419-1	Elbow, MJ-MORB	2
*	9421-1	Straight Fitting MORB-FJS	2
**	9414-1	Motor, 115/208/230V	1
**	9414-2	Motor, 230/460V (Optional)	1
**	9414-3	Motor, 575V (Optional)	1
*	4515-1	Fan Blade	1
5	9119-1	Directional Valve, 110/120 VAC, 50/60 Hz	1
**	9119-2	Directional Valve, 220/240 VAC, 50/60 Hz	1
* **	9118-1	Coil, 110/120 VAC, 50/60 Hz	2
* **	9118-2	Coil, 220/240 VAC, 50/60 Hz	2
6	9-3032	Pump c/w Integral Relief Valve	1
*	4927-1	Coupling	1
7	9417-1	Manifold	1
8	9416-1	Filler Breather Cap	1
9	9415-1	Tank	1
10	9-3036	Clevis Pin, c/w Clips	1
11	1-R350	Retaining Ring	2
12	4109-1	Street Elbow - Bottom	2
13	4112-1	Cylinder	1
*	9-3318	Cylinder Seal Kit	
14	9-3035	Clevis (Top)	1

PARTS LIST, DIRECT STEAM TILTING OR STATIONARY KETTLES,
MODELS: DMS-30 TO 60, DMT-30 TO 60

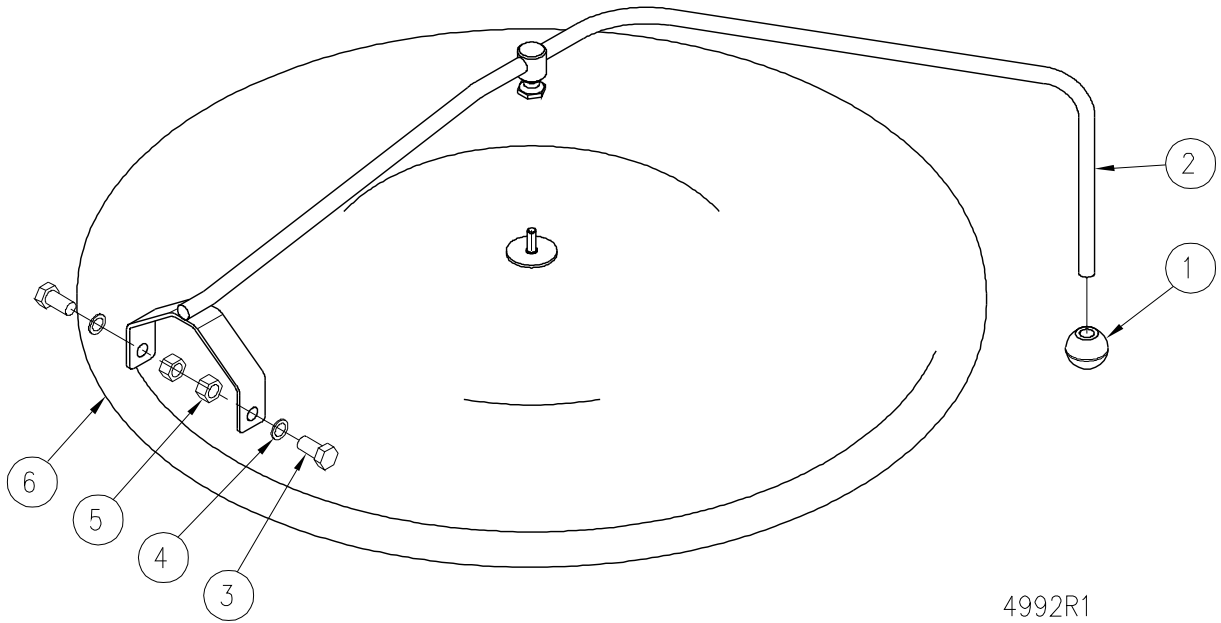
<u>ITEM</u>	<u>PART NO.</u>	<u>DESCRIPTION</u>	<u>DMT-30</u> <u>QTY.</u>	<u>DMT-40</u> <u>QTY.</u>	<u>DMT-60</u> <u>QTY.</u>	
**	15	4265-3	Roller, 2-3/4" Diameter	1	2	2
		4265-4	Roller, 3-1/2" Diameter	1		
	16	9263-1016	Bushing	2	2	2
	17	4266-1	Roller Pin	2	2	2
	18	9178-1	Cotter Pin, 1/8 x 1 Lg.	6	8	8
	19	5604-1	Pin, Cylinder Top	1	1	1
	20	5329-2	Cotter Pin, 1/8 x 3/4 Lg.	2	2	2
	21	9263-0806	Bushing	2	2	2
	22	5876-1	Lever Mount Pin	1	1	1
	23	9036-76	Flanged Bearing, 5/8 ID x 7/8 OD	2	2	2
**	24	7914-1	Lever, DMT-30, DMT -40	1	1	
		7914-2	Lever, DMT-60			1

* NOT SHOWN.

** SELECT AS REQUIRED.

PARTS LIST, DIRECT STEAM TILTING OR STATIONARY KETTLES,
 MODELS: DMS-30 TO 60, DMT-30 TO 60

HINGE ASSEMBLY



4992R1

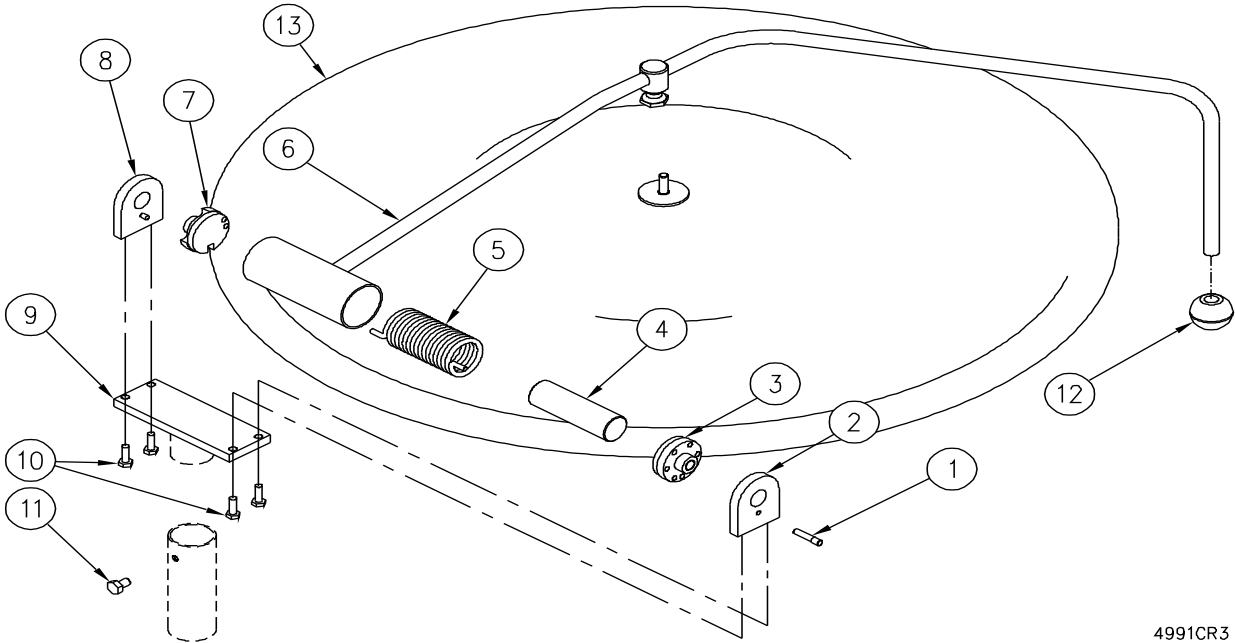
<u>ITEM</u>	<u>PART NO.</u>	<u>DESCRIPTION</u>	<u>QUANTITY</u>	
1	2-KB01	Knob	1	
**	2	9-3231-1M	Handle Assembly, 30 Gallon Kettle	1
		9-3231-2M	Handle Assembly, 40 Gallon Kettle	1
		9-3231-3M	Handle Assembly, 60 Gallon Kettle	1
3	1-85S8	Bolt	2	
4	1-W0V6	Fibre Washer	4	
5	1-89S0	Nut, 1/2-20 UNF, Stainless Stl.	2	

For covers, see Figure 4.

** SELECT AS REQUIRED.

PARTS LIST, DIRECT STEAM TILTING OR STATIONARY KETTLES,
MODELS: DMS-30 TO 60, DMT-30 TO 60

FIGURE 4



4991CR3

PARTS LIST, DIRECT STEAM TILTING OR STATIONARY KETTLES,
MODELS: DMS-30 TO 60, DMT-30 TO 60

FIGURE 4

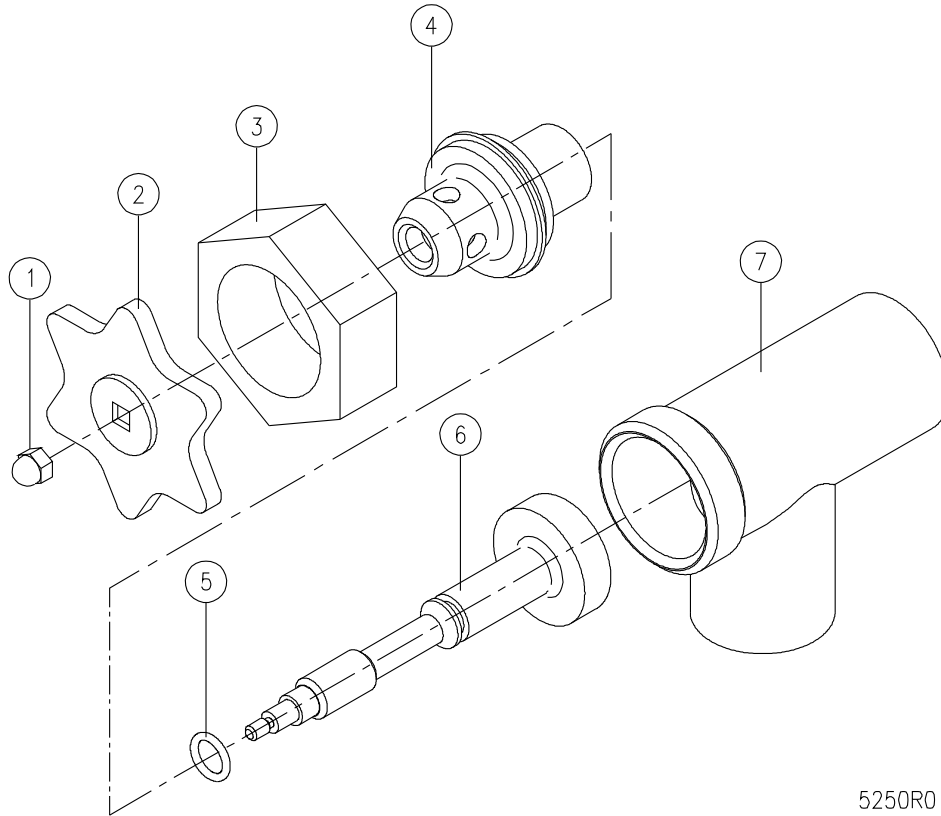
<u>ITEM</u>	<u>PART NO.</u>	<u>DESCRIPTION</u>	<u>QUANTITY</u>	
1	8-2029	Lock Pin	1	
2	8-2035L	End Lock Plate	1	
3	5428-1	Stationary Disc	1	
4	5430-1	Core	1	
5	8-2026	Spring	1	
**	6	4990-2	Handle Assembly, 30 Gal. Kettle (8-2028-1M)	1
		4990-3	Handle Assembly, 40 Gal. Kettle (8-2028-2M)	1
		4990-4	Handle Assembly, 60 Gal. Kettle (8-2027-M)	1
7	5429-1	Rotary Disc	1	
8	8-2021	End Stop Plate	1	
9	3730-1	Hinge Mounting Plate	4	
10	1-55S6	Hex HD Screw, 1/4-20 x 3/4, Stainless Steel	4	
11	M50S-51618-12	Hex HD Screw, 5116-18 x 1/2	1	
12	2-KB01	Knob	1	
**	13	8-2004	Covers, 30 Gallon Kettle	1
		8-2005	Covers, 40 Gallon Kettle	1
		8-2006	Covers, 60 Gallon Kettle	1

** SELECT AS REQUIRED.

PARTS LIST, DIRECT STEAM TILTING OR STATIONARY KETTLES,
 MODELS: DMS-30 TO 60, DMT-30 TO 60

DRAW-OFF VALVE

FIGURE 5



5250R0

<u>ITEM</u>	<u>PART NO.</u>	<u>DESCRIPTION</u>	<u>QUANTITY</u>
	3-D015	1-1/2" DRAW-OFF VALVE ASSEMBLY	
1	9031-3	Acorn Nut 10-24 UNC	1
2	4115-1	Handle, Stainless Steel	1
3	3-DV13	Gland Nut	1
4	3-DV14	Bonnet	1
5	3-DV16	"O" Ring	1
6	3-DV15RV	Stem Assembly	1
7	3-DV17	Valve Body	1

PARTS LIST, DIRECT STEAM TILTING OR STATIONARY KETTLES,
 MODELS: DMS-30 TO 60, DMT-30 TO 60

<u>ITEM</u>	<u>PART NO.</u>	<u>DESCRIPTION</u>	<u>QUANTITY</u>
	3-D020	2" DRAW-OFF VALVE ASSEMBLY	
1	9031-3	Acorn Nut 10-24 UNC	1
2	4115-1	Handle, Stainless Steel	1
3	3-DV23	Gland Nut	1
4	3-DV24	Bonnet	1
5	3-DV26	"O" Ring	1
6	3-DV25RV	Stem Assembly	1
7	3-DV27	Valve Body	1

<u>ITEM</u>	<u>PART NO.</u>	<u>DESCRIPTION</u>	<u>QUANTITY</u>
	3-D030	3" DRAW-OFF VALVE ASSEMBLY	
1	3-DV31	Acorn Nut, 7/16-14 UNC	1
2	3-DV32	Handle, Stainless Steel	1
3	3-DV33	Gland Nut	1
4	3-DV34	Bonnet	1
5	3-DV36	"O" Ring	1
6	3-DV35RV	Stem Assembly	1
7	3-DV37	Valve Body	1