

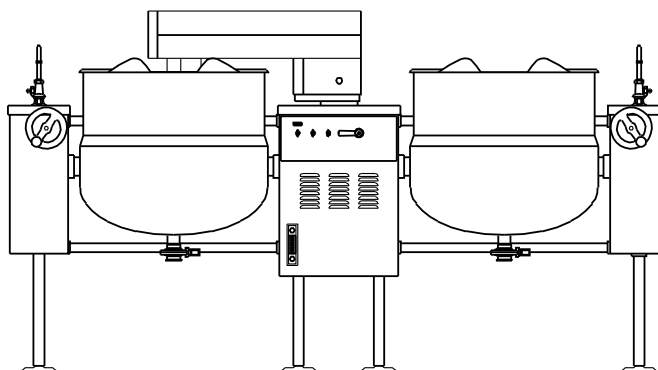
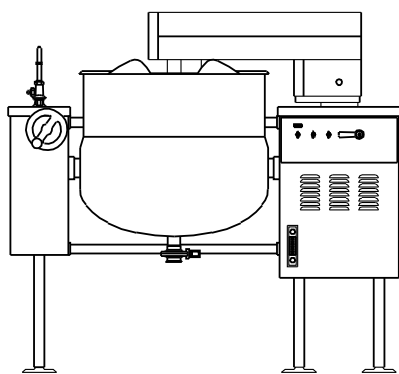


IMPORTANT FOR FUTURE REFERENCE
 Please complete this information and retain this manual for the life of the equipment:

Model #: _____
 Serial #: _____
 Date Purchased: _____

PARTS LIST

8]f YW iGH YUa `G]b[`Y`UbX`Hk]b`A]l Yf`? Yh`Yg`
 `8 @HA!(\$!fBL`8 @HA!*\$!fBL`8 @HA!,\$!fBL`8 @HA!%\$\$!fBL`



⚠ WARNING

Improper installation, adjustment, alteration, service or maintenance can cause property damage, injury or death. Read the installation, operating and maintenance instructions thoroughly before installing or servicing this equipment.

CROWN FOOD SERVICE EQUIPMENT

 A Middleby Company

70 Oakdale Road, Downsview (Toronto) Ontario, Canada, M3N 1V9

Telephone: 919-762-1000 www.crownsteamgroup.com

Printed in Canada



PARTS LIST, DIRECT STEAM LEG-MOUNTED TILTING MIXER KETTLES,
 MODELS: DLTM-40 TO DLTM-100, DLTM-40-2 TO DLTM-100-2

FIGURE 1

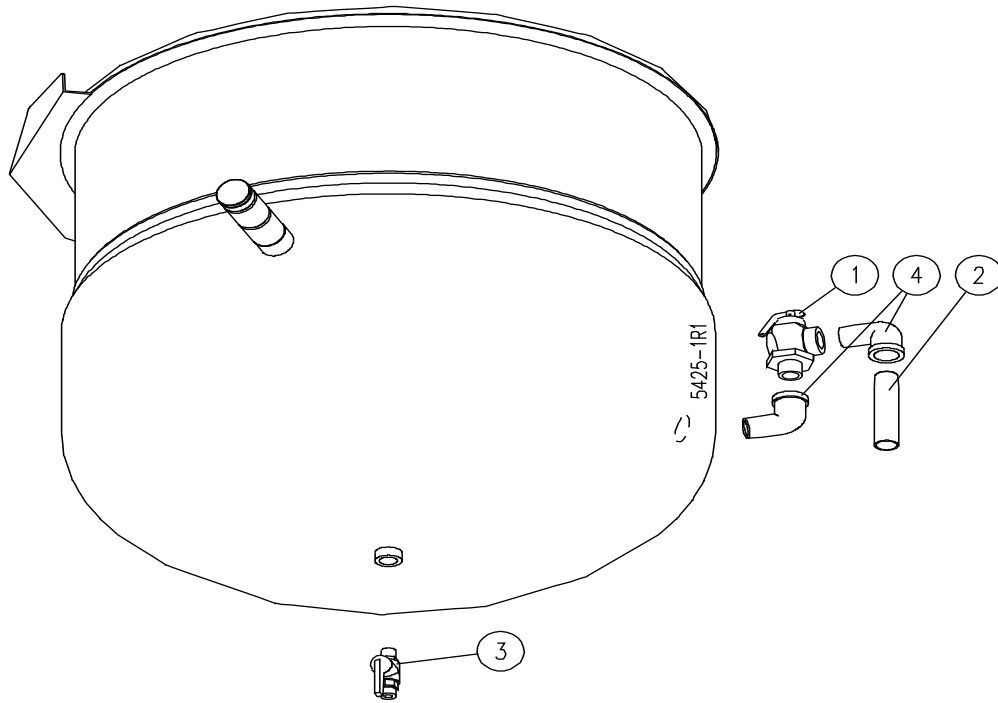


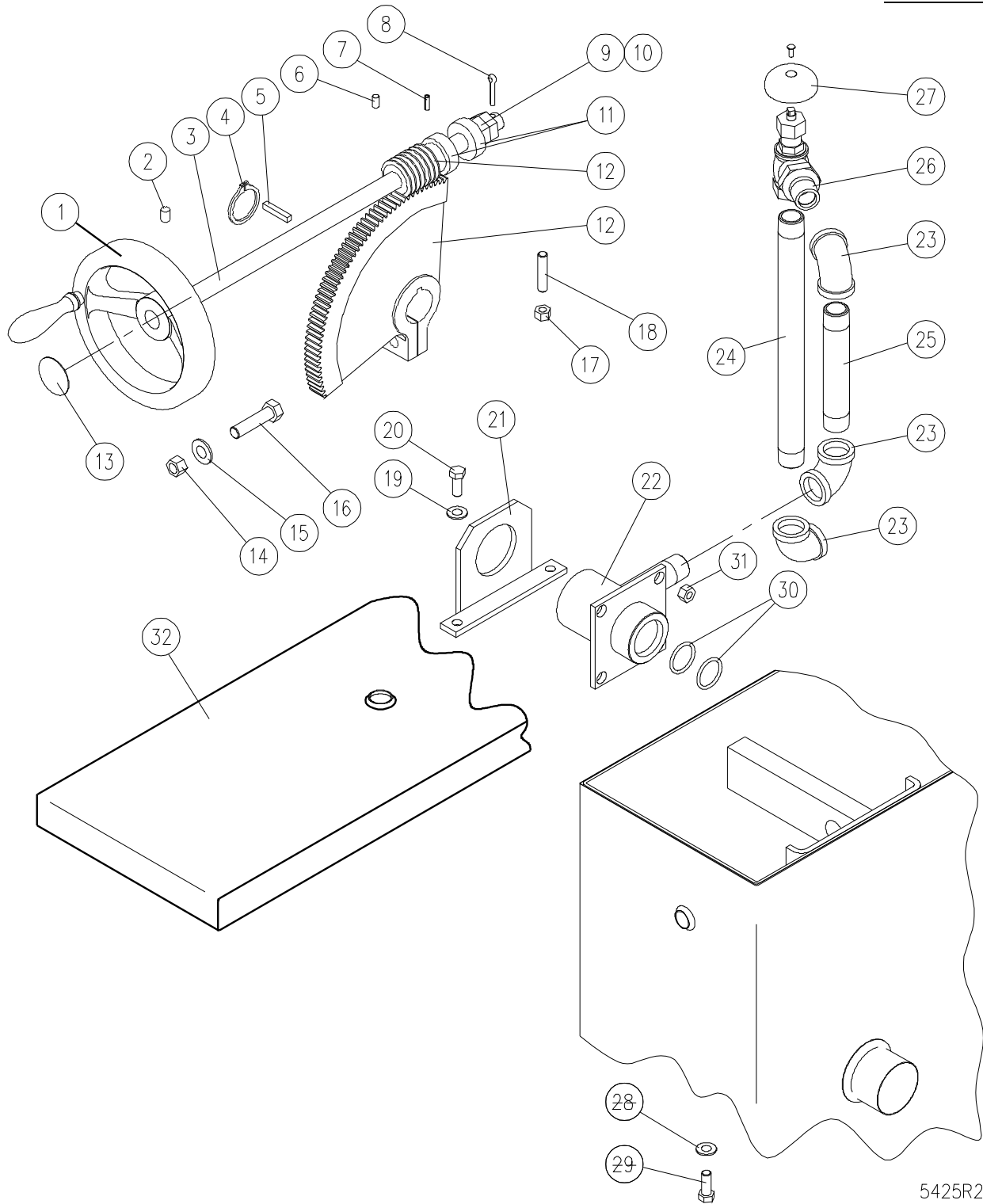
FIGURE 1

	<u>ITEM</u>	<u>PART NUMBER</u>	<u>DESCRIPTION</u>	<u>QUANTITY</u>	
**	1.	3-SRV8-1	Relief Valve, 35 PSI	1	
		3-SRV9-1	Relief Valve, 50 PSI	1	Optional
	2.	5184-1	Down Tube	1	
	3.	9189-1	Ball Valve	1	
	4.	9012-4P	Street Elbow, 90°	2	

** SELECT AS REQUIRED.

PARTS LIST, DIRECT STEAM LEG-MOUNTED TILTING MIXER KETTLES,
 MODELS: DLTM-40 TO DLTM-100, DLTM-40-2 TO DLTM-100-2

FIGURE 2



5425R2

PARTS LIST, DIRECT STEAM LEG-MOUNTED TILTING MIXER KETTLES,
 MODELS: DLTM-40 TO DLTM-100, DLTM-40-2 TO DLTM-100-2

FIGURE 2

<u>ITEM</u>	<u>PART NO.</u>	<u>DESCRIPTION</u>	<u>QUANTITY</u>
1.	8-2054	Hand Wheel	1
2.	9061-5	Set Screw, 3/8 - 16 x 1/2"	1
3.	6738-2	Tilt Shaft	1
4.	1-R315	Retaining Ring	1
5.	6321-1	Key, 1/4" x 1-3/8"	1
6.	9061-4	Set Screw, 1/4 - 20 x 1/2"	1
7.	9032-7	Tension Pin, 3/16" D x 1-1/4" Long	1
8.	5329-1	Cotter Pin, Stainless Steel, 3/16 x 1"	1
9.	9029-22	Jam Nut	2
10.	5328-1	Washer, 3/4" Inside Diameter x 1-1/4" Outside Diameter	1
11.	5327-1	Thrust Bearing	2
12.	5393-1	Segment Gear and Worm Gear (Includes Items 4, 5, 13 to 17)	1
13.	5608-2	Decal - Tilt	1
14.	9029-5	Nut, 1/2 - 13	1
15.	S01X-12	Lock Washer, 1/2"	1
16.	9302-5	Hex Cap Screw, 1/2 - 13 x 2"	1
17.	9029-3	Nut, 3/8 - 16	1
18.	9061-6	Set Screw, 3/8 - 16 x 1-3/4"	1
19.	S05N-38	Lock Washer, 3/8"	6
20.	M50S-3816-114	Hex HD Screw, 3/8 - 16 x 1-1/4"	2
21.	5731-1	Trunnion Housing Support	1
22.	8-2088	Trunnion Housing Assembly (4010)	1
23.	9011-4	Elbow, 3/4 x 90"	3

PARTS LIST, DIRECT STEAM LEG-MOUNTED TILTING MIXER KETTLES,
 MODELS: DLTM-40 TO DLTM-100, DLTM-40-2 TO DLTM-100-2

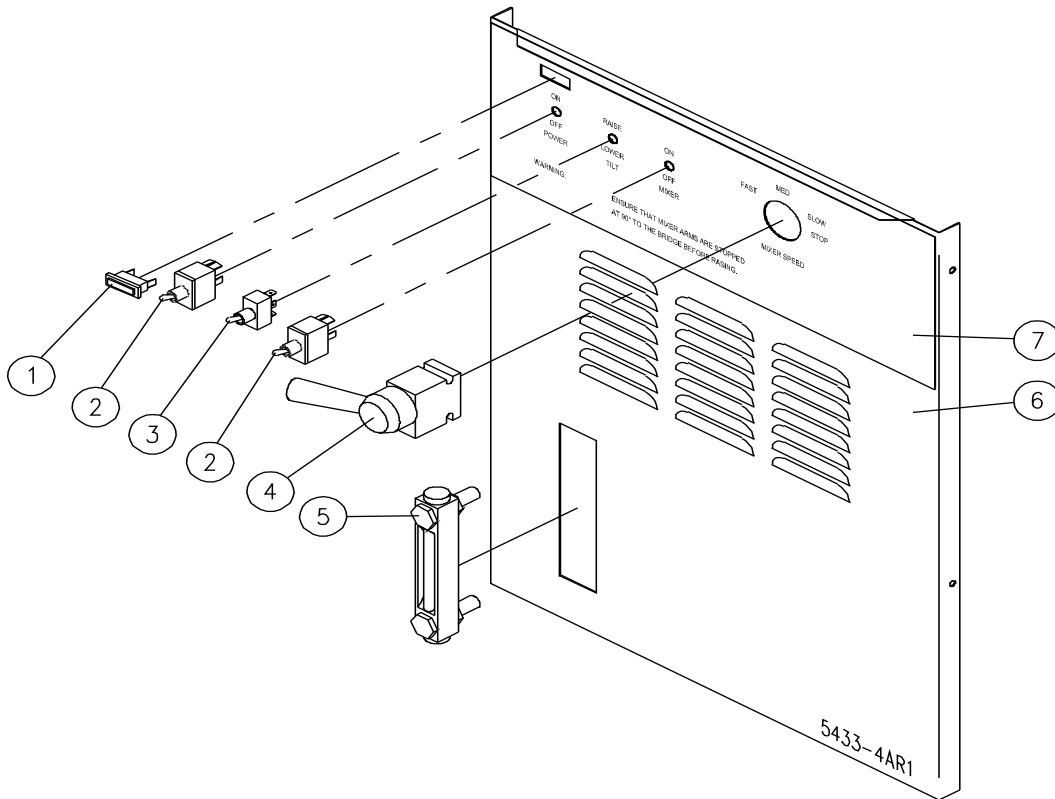
<u>ITEM</u>	<u>PART NO.</u>	<u>DESCRIPTION</u>	<u>QUANTITY</u>
24.	9010-120	Nipple, 3/4 x 12"	1
** 25.	9010-056	Nipple, 3/4 x 5-3/4" (40 Gallon)	1
	9010-070	Nipple, 3/4 x 7" (60 Gallon)	1
	9010-080	Nipple, 3/4 x 8" (80 Gallon)	1
	9010-090	Nipple, 3/4 x 9" (100 Gallon)	1
26.	3-SCE6	Steam Valve complete with Knob	1
27.	3-SC06	Steam Valve Knob	1
28.	S01X-38	Lock Washer, 3/8"	4
29.	M50X-3816-1	Hex HD Screw, Bolt, 3/8 - 16 x 1"	4
30.	2-218R	"O" Ring	2
31.	9030-3	Hex Nut, 3/8 - 16" Stainless Steel	4
** 32.	2905-2	Console Cover	1
	2910-2	Console Cover - Faucet Mounting	1

** SELECT AS REQUIRED.

PARTS LIST, DIRECT STEAM LEG-MOUNTED TILTING MIXER KETTLES,
MODELS: DLTM-40 TO DLTM-100, DLTM-40-2 TO DLTM-100-2

FIGURE 3

MIXER CONSOLE CONTROL PANEL



PARTS LIST, DIRECT STEAM LEG-MOUNTED TILTING MIXER KETTLES,
 MODELS: DLTM-40 TO DLTM-100, DLTM-40-2 TO DLTM-100-2

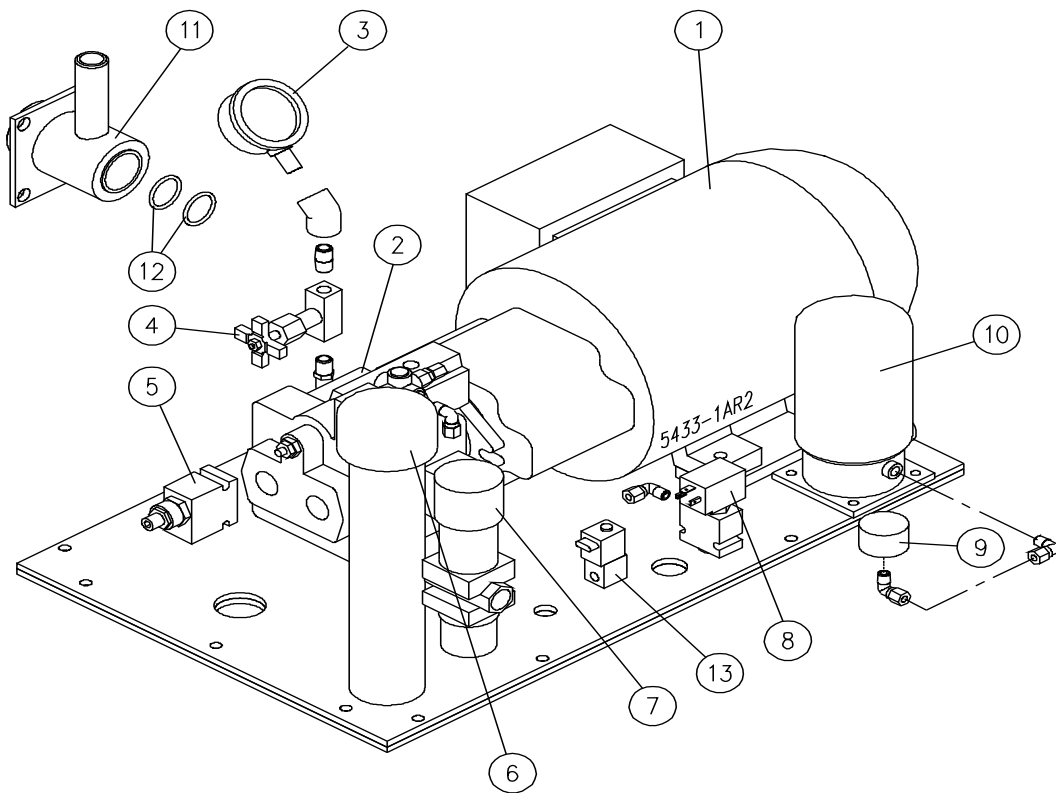
FIGURE 3

<u>ITEM</u>	<u>PART NO.</u>	<u>DESCRIPTION</u>	<u>QUANTITY</u>				
			<u>40</u>	<u>60</u>	<u>80</u>	<u>100</u>	
1.	4-PL08	Pilot Light	1	1	1	1	
2.	9110-1	Power Switch	2	2	2	2	
3.	9111-1	Bridge Switch	1	1	1	1	
4.	9-3116	Speed Control Valve	1	1	1	1	
5.	3872-1	Sight Glass Gauge	1	1	1	1	
6.	7186-1	Front Console Cover	1	1	1	1	
7.	2342-3	Control Label, Black	1	1	1	1	
*	8.	2902-1	Back Console Cover	1	1	1	1
*	9.	7172-1	Front Top Console Cover	1			
		7172-2	Front Top Console Cover		1		
		7172-3	Front Top Console Cover			1	
		7172-4	Front Top Console Cover				1
*	10.	7172-9	Back Top Console Cover	1			
		7172-10	Back Top Console Cover		1		
		7172-11	Back Top Console Cover			1	
		7172-12	Back Top Console Cover				1
*	11.	7172-19	Center Console Cover Assembly	1	1	1	1
*	12.	8-1308	Flanged Adjustable Feet	4	4	4	4
*	13.	2391-1	Trunnion Housing Assembly	1 on Single		2 on Twin	

* NOT SHOWN.

PARTS LIST, DIRECT STEAM LEG-MOUNTED TILTING MIXER KETTLES,
MODELS: DLTM-40 TO DLTM-100, DLTM-40-2 TO DLTM-100-2

FIGURE 4



PARTS LIST, DIRECT STEAM LEG-MOUNTED TILTING MIXER KETTLES,
 MODELS: DLTM-40 TO DLTM-100, DLTM-40-2 TO DLTM-100-2

FIGURE 4

<u>ITEM</u>	<u>PART NO.</u>	<u>DESCRIPTION</u>	<u>QUANTITY</u>
**	1.	9-3121 Motor, 208-230/460V, 3/60 Hz	1
		9-3121-2 Motor, 220-380/415V, 3/50 Hz	1
		9-3121-5 Motor, 550V, 3/60 Hz	1
	2.	9-3123 Piston Pump	1
*		5354-1 Motor Half Coupling	1
*		9-3122 Pump Half Coupling	1
*		5355-1 Insert Coupling	1
	3.	9-3126 Pressure Gauge, 0-3000 PSI	1
	4.	9-3125 Needle Valve	1
	5.	9-3124 Trim Relief Valve	1
	6.	9-3119 Filter Breather	1
	7.	5444-1 Thermostatic Cooling Valve	1
	8.	3906-1 Dump Valve	1
*		3906-2 Coil, 120V, 25W	1
	9.	5434-1 Return Filter Indicator	1
	10.	9-3120 Return Filter	1
	11.	4011-1 Condensate Trunnion Housing	1 (Two on Twin)
	12.	2-218R "O" Ring	2
	13.	5162-1 Solenoid Valve	1
	14.	Cassida "FM Hydraulic Oil 32" or Equivalent, Tank Capacity: 20.71 U.S. Gallons, Fluid Level: 13.62 U.S. Gallons	1

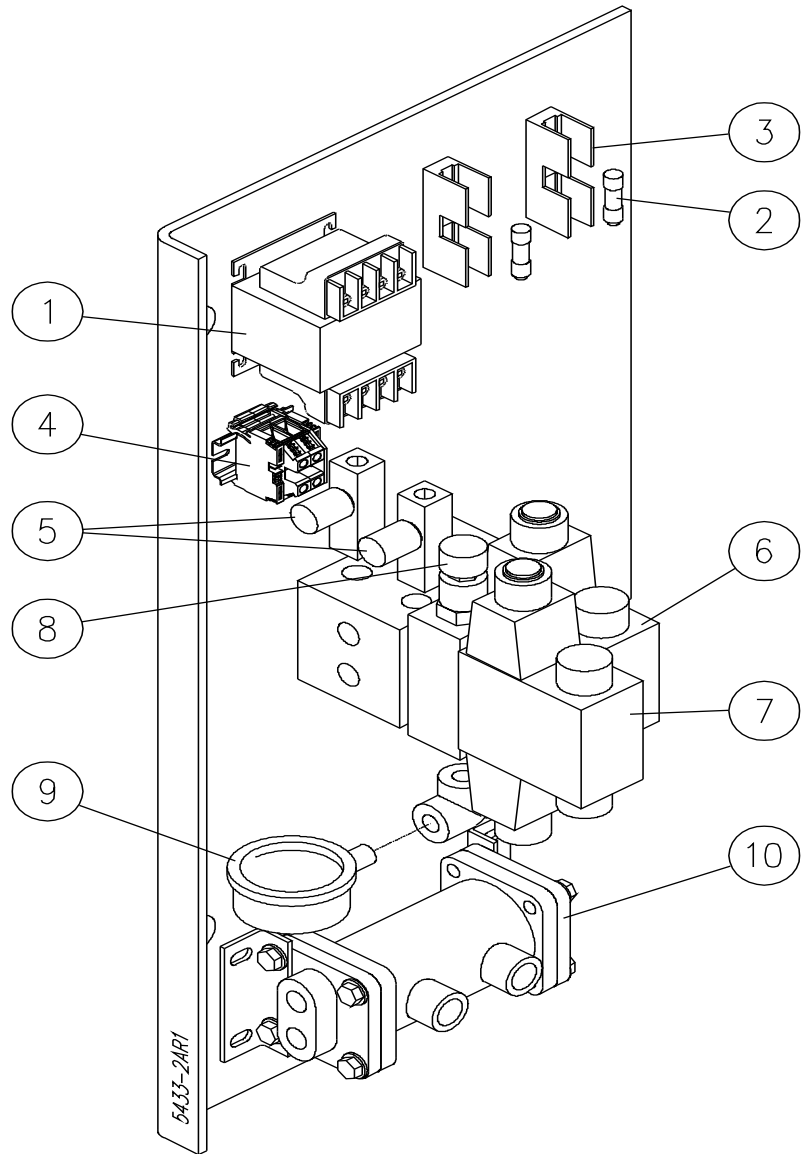
* NOT SHOWN.

** SELECT AS REQUIRED.

PARTS LIST, DIRECT STEAM LEG-MOUNTED TILTING MIXER KETTLES,
MODELS: DLTM-40 TO DLTM-100, DLTM-40-2 TO DLTM-100-2

FIGURE 5

HYDRAULIC AND ELECTRICAL COMPONENTS



PARTS LIST, DIRECT STEAM LEG-MOUNTED TILTING MIXER KETTLES,
 MODELS: DLTM-40 TO DLTM-100, DLTM-40-2 TO DLTM-100-2

FIGURE 5

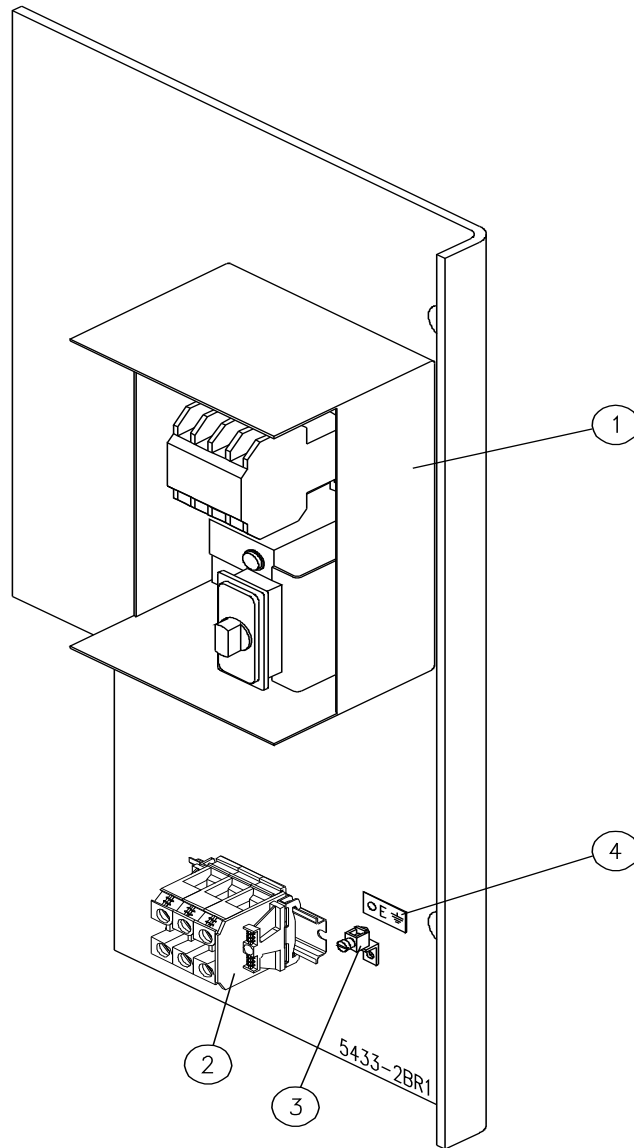
<u>ITEM</u>	<u>PART NO.</u>	<u>DESCRIPTION</u>	<u>QUANTITY</u>	
**	1.	4-T256	Transformer, 200VA, 208V	1
		4-T253	Transformer, 200VA, 220-240V, 480V	1
		4694-200	Transformer, 200VA, 600V	1
	2.	9001-3	Fuse, 1 Amp., 600V	4
	3.	9002-1	Fuse Block	4
**	4.	9390-2	Terminal Block Assembly, 2 Pole	1
			Includes the following parts:	
		9391-1	Modular Terminal	2
		9392-1	End Plate	1
		9393-1	End Clamp	2
		9394-053	Mounting Rail	1
	5.	5359-1	Flow Control	2
	6.	9251-1	Control Valve (Motors)	1
*		9118-1	Coil, 110/120 VAC, 50/60 Hz	1
		9304-12	Bolt Kit	1
	7.	9252-1	Directional Control Valve (Bridge)	1
*		9118-1	Coil, 110/120 VAC, 50/60 Hz	2
		9304-27	Bolt Kit	1
	8.	5356-1	Pressure Reducer (Bridge)	1
	9.	5358-1	Pressure Gauge, 0-1000 PSI	1
	10.	5350-1	Oil Cooler	1

* NOT SHOWN.

** SELECT AS REQUIRED.

PARTS LIST, DIRECT STEAM LEG-MOUNTED TILTING MIXER KETTLES,
MODELS: DLTM-40 TO DLTM-100, DLTM-40-2 TO DLTM-100-2

FIGURE 6



PARTS LIST, DIRECT STEAM LEG-MOUNTED TILTING MIXER KETTLES,
 MODELS: DLTM-40 TO DLTM-100, DLTM-40-2 TO DLTM-100-2

<u>ITEM</u>	<u>PART NO.</u>	<u>DESCRIPTION</u>	<u>QUANTITY</u>
** 1.	3030-1	Starter Box Assembly (208V)	1
	4785-1	Contactactor	1
	4786-1	Overload (12-17A)	1
	4789-1	Switch	1
	3030-2	Starter Box Assembly (240V)	1
	4785-1	Contactactor	1
	4786-2	Overload (8.5 - 12.5A)	1
	4789-1	Switch	1
	3030-3	Starter Box Assembly (380V, 415V)	1
	4785-3	Contactactor	1
	4786-3	Overload (6-9A)	1
	4789-1	Switch	1
	3030-5	Starter Box Assembly (480V, 600V)	1
	9165-1	Contactactor	1
	9166-1	Overload (4-6A)	1
	4789-1	Switch	1
** 2.	6161-3	Modular Terminal Assembly, 3 Pole Includes the following parts:	1
	9374-1	Modular Terminal, Grey	3
	9375-1	End Plate	1
	9369-1	End Clamp	2
	9368-079	Mounting Rail, 79 mm	1

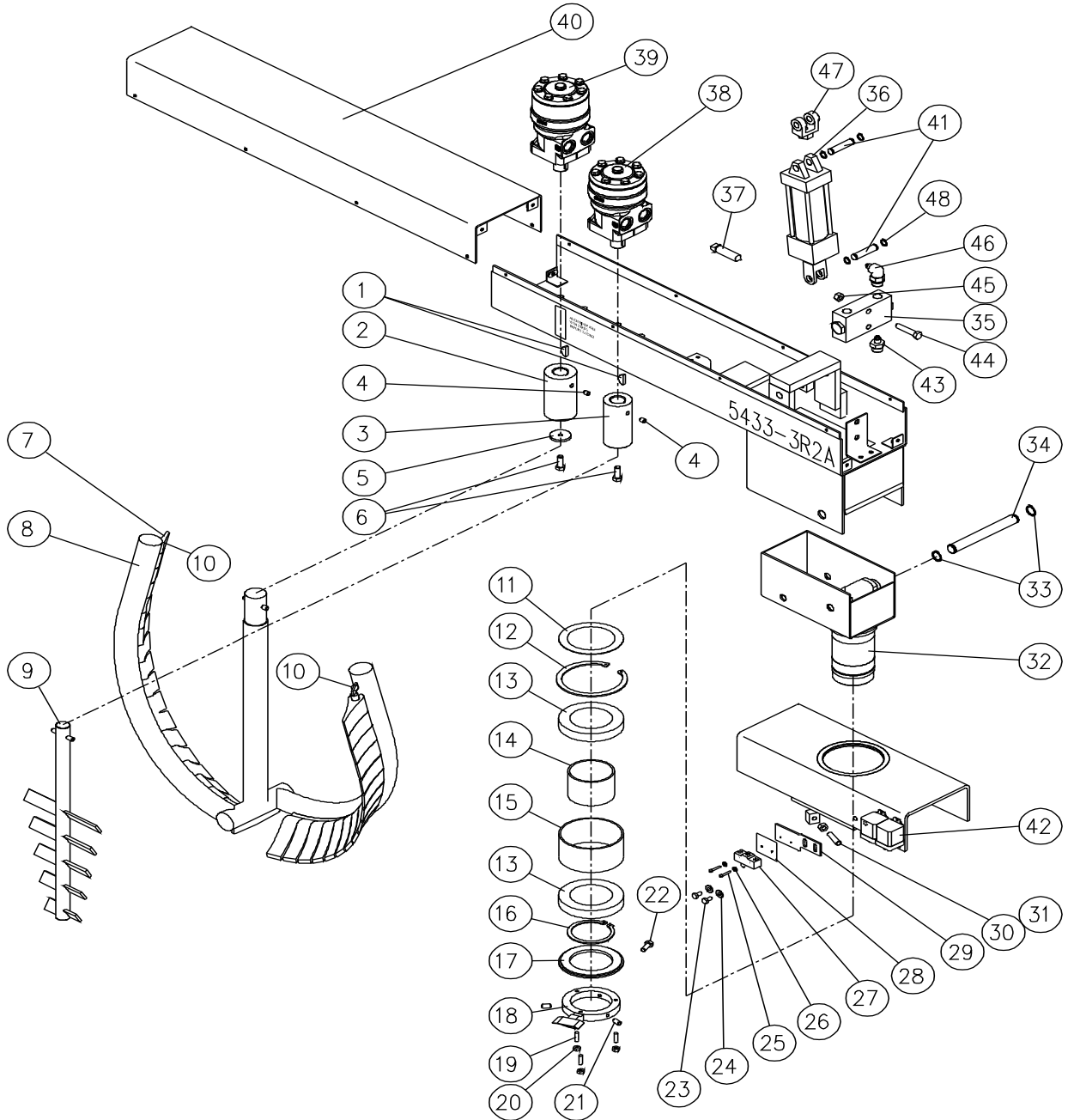
PARTS LIST, DIRECT STEAM LEG-MOUNTED TILTING MIXER KETTLES,
 MODELS: DLTM-40 TO DLTM-100, DLTM-40-2 TO DLTM-100-2

<u>ITEM</u>	<u>PART NO.</u>	<u>DESCRIPTION</u>	<u>QUANTITY</u>
** 2.	6161-4N	Modular Terminal Assembly, 3 Pole with Neutral 380/220V & 415/240V Includes the following parts:	1
	9374-1	Modular Terminal, Grey	3
	9374-2	Modular Terminal, Blue	1
	9375-1	End Plate	1
	9369-1	End Clamp	2
	9368-098	Mounting Rail	1
3.	4-70EU	Ground Lug	1
4.	4188-1	Earth ID Tag	1

** SELECT AS REQUIRED.

PARTS LIST, DIRECT STEAM LEG-MOUNTED TILTING MIXER KETTLES,
 MODELS: DLTM-40 TO DLTM-100, DLTM-40-2 TO DLTM-100-2

FIGURE 7



PARTS LIST, DIRECT STEAM LEG-MOUNTED TILTING MIXER KETTLES,
 MODELS: DLTM-40 TO DLTM-100, DLTM-40-2 TO DLTM-100-2

FIGURE 7

<u>ITEM</u>	<u>PART NO.</u>	<u>DESCRIPTION</u>	<u>QUANTITY</u>
1.	5312-3	Woodruff Key	2
2.	1157-1	Agitator Coupling	1
3.	1157-2	Agitator Coupling	1
4.	9076-1	Hex Socket Set Screw, 5/16 - 18 x 5/8	2
5.	1157-3	Washer, Stainless Steel	1
6.	M50S-1420-34	Hex HD Screw, 1/4 - 20 x 3/4	2
** 7.	4999-1	Scraper Blades (40 Gallon)	23
	4999-1	Scraper Blades (60 Gallon)	28
	4999-1	Scraper Blades (80 Gallon)	32
	4999-1	Scraper Blades (100 Gallon)	36
** 8.	7052-1	Primary Agitator (40 Gallon)	1
	7053-1	Primary Agitator (60 Gallon)	1
	7054-1	Primary Agitator (80 Gallon)	1
	7055-1	Primary Agitator (100 Gallon)	1
** 9.	2390-1	Secondary Agitator, (40 Gallon)	1
	3024-1	Secondary Agitator, (60 Gallon)	1
	3025-1	Secondary Agitator, (80 Gallon)	1
	3026-1	Secondary Agitator, (100 Gallon)	1
10.	4562-1	Retaining Ring	2
11.	5064-1	Protector	1
12.	5093-2N	Retaining Ring	1
13.	5093-1	Bearing	2
14.	5063-1	Bearing Spacer Inner	1
15.	5063-2	Bearing Spacer Outer	1

PARTS LIST, DIRECT STEAM LEG-MOUNTED TILTING MIXER KETTLES,
 MODELS: DLTM-40 TO DLTM-100, DLTM-40-2 TO DLTM-100-2

<u>ITEM</u>	<u>PART NO.</u>	<u>DESCRIPTION</u>	<u>QUANTITY</u>	
16.	5093-3	Retaining Ring	1	
17.	5092-1	Friction Disc	1	
18.	5061-1	Collar Assembly	1	
19.	9075-1	Set Screw, 1/4 - 20 x 1	3	
20.	9030-1	Nut, 1/4 - 20	3	
21.	9076-1	Set Screw, 5/16 - 18 x 5/8	2	
22.	M50S-51618-78	Hex HD Screw, 5/16 - 18 x 7/8	1	
23.	M50X-1420-12	Hex HD Screw, 1/4 - 20 x 1/2	2	
24.	F01X-14	Flat Washer, 1/4"	2	
25.	M93C-632-78	Screw Pan Slot, #6	2	
26.	E01X-6	External Tooth Lock Washer, #6	2	
27.	4-M605	Limit Switch	1	
28.	REF	Fiche Paper	1	
29.	5056-1	Limit Switch Bracket	1	
30.	9074-1	Hex Socket Set Screw, 3/8" - 16	1	
31.	9029-3	Hex Nut, 3/8"	1	
32.	1325-1	Swivel Base	1	
33.	1-XR75	Retaining Ring	2	
34.	2398-1	Tilt Shaft, Bridge	1	
**	35.	5243-1	Double Pilot Check Valve, Bridge	1
		5243-2	Double Pilot Check Valve, Bridge	1
	36.	9-3136	Cylinder	1
	37.	9121-3	Mercury Switch	1
*		9121-2	Mercury Switch Bracket	1
	38.	9358-1	Hydraulic Motor Secondary	1

PARTS LIST, DIRECT STEAM LEG-MOUNTED TILTING MIXER KETTLES,
 MODELS: DLTM-40 TO DLTM-100, DLTM-40-2 TO DLTM-100-2

<u>ITEM</u>	<u>PART NO.</u>	<u>DESCRIPTION</u>	<u>QUANTITY</u>	
39.	9359-1	Hydraulic Motor Primary	1	
**	40.	7191-1	Bridge Cover (40 Gallon)	1
		7191-2	Bridge Cover (60 Gallon)	1
		7191-3	Bridge Cover (80 Gallon)	1
		7191-4	Bridge Cover (100 Gallon)	1
41.	9-3036	Pin Complete With Clips	2	
42.	4-RL55	Relay	2	
43.	9285-1	Connector, Male O-Ring Boss to Male JIC	2	
44.	M50S-3816-178	Hex Head Screw, 3/8-16 UNC x 1-7/8	2	
45.	9030-3	Hex Nut, 3/8 - 16 UNC	2	
46.	9284-1	Elbow, 90° Male O-Ring Boss to Male JIC	2	
47.	9354-1	Hydraulic Cylinder Yoke	1	
48.	1-R350	External Retaining Ring	4	

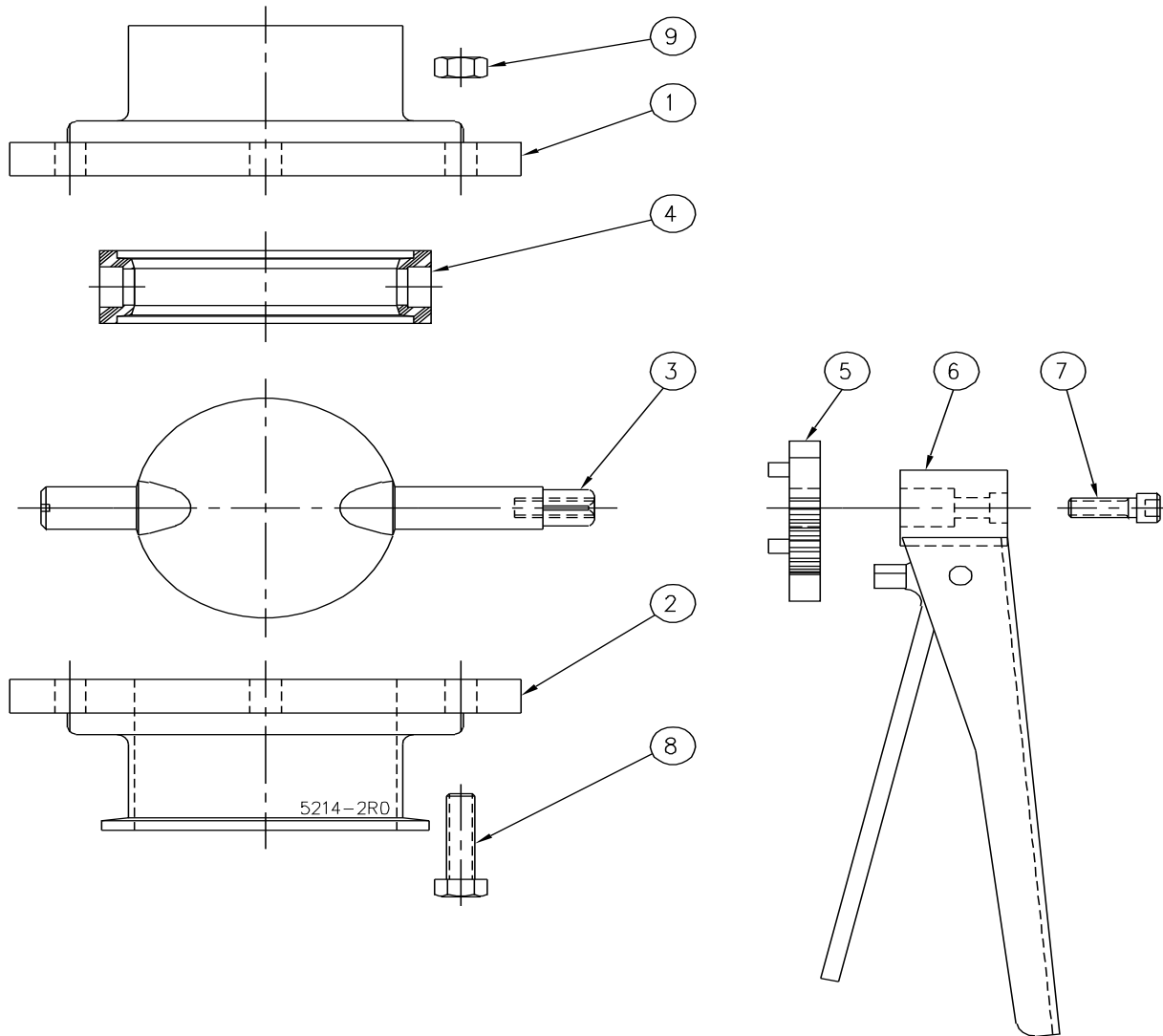
* NOT SHOWN.

** SELECT AS REQUIRED.

PARTS LIST, DIRECT STEAM LEG-MOUNTED TILTING MIXER KETTLES,
MODELS: DLTM-40 TO DLTM-100, DLTM-40-2 TO DLTM-100-2

FIGURE 8

BUTTERFLY VALVE



PARTS LIST, DIRECT STEAM LEG-MOUNTED TILTING MIXER KETTLES,
MODELS: DLTM-40 TO DLTM-100, DLTM-40-2 TO DLTM-100-2

FIGURE 8

TWO INCH BUTTERFLY VALVE

<u>ITEM</u>	<u>PART NO.</u>	<u>DESCRIPTION</u>	<u>QUANTITY</u>
1.	5215-3	Body Half	1
2.	5215-4	Body Half	1
3.	4045-3	Stem	1
4.	5210-1	Silicon Seat	1
5.	5209-3	Intermediate Step	1
6.	4046-2	Handle	1
7.	5217-1	Hex Bolt	1
8.	4048-1	Hex Bolt	4
9.	4049-1	Hex Nut	4

PARTS LIST, DIRECT STEAM LEG-MOUNTED TILTING MIXER KETTLES,
MODELS: DLTM-40 TO DLTM-100, DLTM-40-2 TO DLTM-100-2

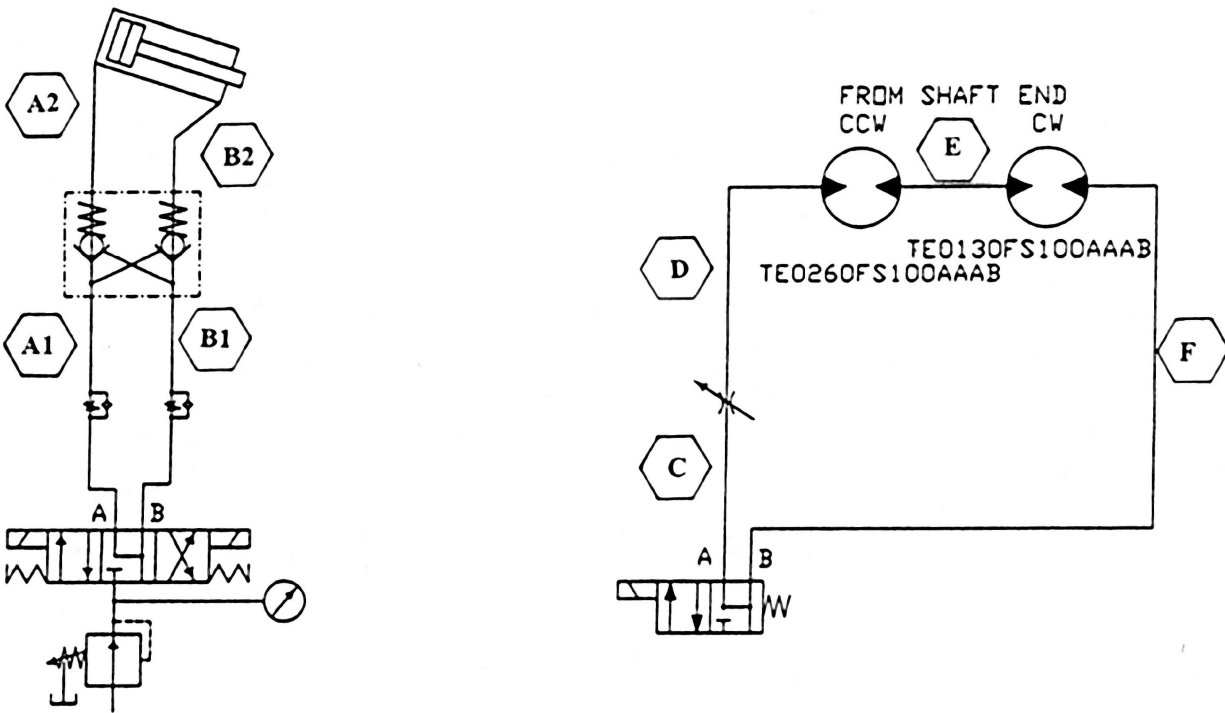
THREE INCH BUTTERFLY VALVE

<u>ITEM</u>	<u>PART NO.</u>	<u>DESCRIPTION</u>	<u>QUANTITY</u>
			<u>316SS</u>
1.	5216-3	Body Half	1
2.	5216-4	Body Half	1
3.	4045-4	Stem	1
4.	5212-1	Silicon Seat	1
5.	5209-4	Intermediate Step	1
6.	4046-2	Handle	1
7.	5217-1	Hex Bolt	1
8.	4048-2	Hex Bolt	6
9.	4049-1	Hex Nut	6

PARTS LIST, DIRECT STEAM LEG-MOUNTED TILTING MIXER KETTLES,
MODELS: DLTM-40 TO DLTM-100, DLTM-40-2 TO DLTM-100-2

FIGURE 9

HYDRAULIC HOSES



PARTS LIST, DIRECT STEAM LEG-MOUNTED TILTING MIXER KETTLES,
 MODELS: DLTM-40 TO DLTM-100, DLTM-40-2 TO DLTM-100-2

FIGURE 9

<u>ITEM</u>	<u>PART NO.</u>	<u>DESCRIPTION</u>	<u>QUANTITY</u>			
			<u>40</u>	<u>60</u>	<u>80</u>	<u>100</u>
A1	5363-1	Hose Assembly	1	1		
	5363-2	Hose Assembly			1	1
	5363-3	Hose Assembly				1
A2	5364-1	Hose Assembly	1	1	1	1
B1	5365-1	Hose Assembly	1	1		
	5365-2	Hose Assembly			1	
	5365-3	Hose Assembly				1
B2	5366-1	Hose Assembly	1	1	1	1
C	5367-1	Hose Assembly	1			
	5367-2	Hose Assembly		1		
	5367-3	Hose Assembly			1	
	5367-4	Hose Assembly				1
D	5368-1	Hose Assembly	1			
	5368-2	Hose Assembly		1		
	5368-3	Hose Assembly			1	
	5368-4	Hose Assembly				1
E	5369-1	Hose Assembly	1			
	5369-2	Hose Assembly		1	1	
	5369-3	Hose Assembly				1
F	5370-1	Hose Assembly	1			
	5370-2	Hose Assembly		1		
	5370-3	Hose Assembly			1	1
PC*	5371-1	Hose Assembly	1	1	1	1

* PC = Pump Connection, Not Shown.