

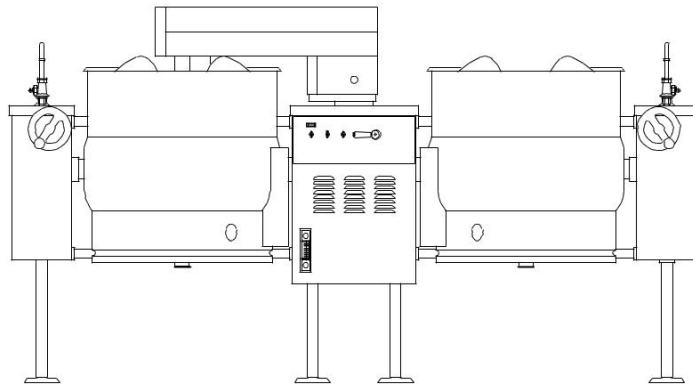
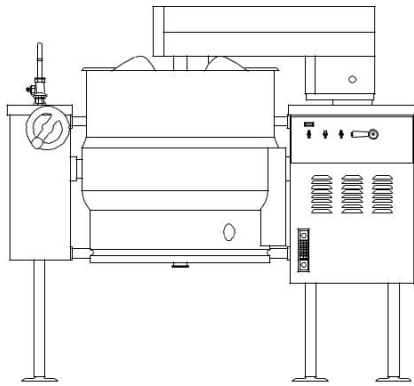


IMPORTANT FOR FUTURE REFERENCE
 Please complete this information and retain this manual for the life of the equipment:

Model #: _____
 Serial #: _____
 Date Purchased: _____

PARTS LIST


'9`Ywf]WGYZ; YbYfU]b[`G]b[`Y`UbX`Hk]b`A]l Yf`? Yh`Yg`
 '9 @HA!(\$!fBL`'9 @HA!* \$!fBL`'9 @HA!, \$!fBL`'9 @HA!%\$\$!fBL`



⚠ WARNING

Improper installation, adjustment, alteration, service or maintenance can cause property damage, injury or death. Read the installation, operating and maintenance instructions thoroughly before installing or servicing this equipment.

CROWN FOOD SERVICE EQUIPMENT

 A Middleby Company

70 Oakdale Road, Downsview (Toronto) Ontario, Canada, M3N 1V9
 Telephone: 919-762-1000 www.crownsteamgroup.com

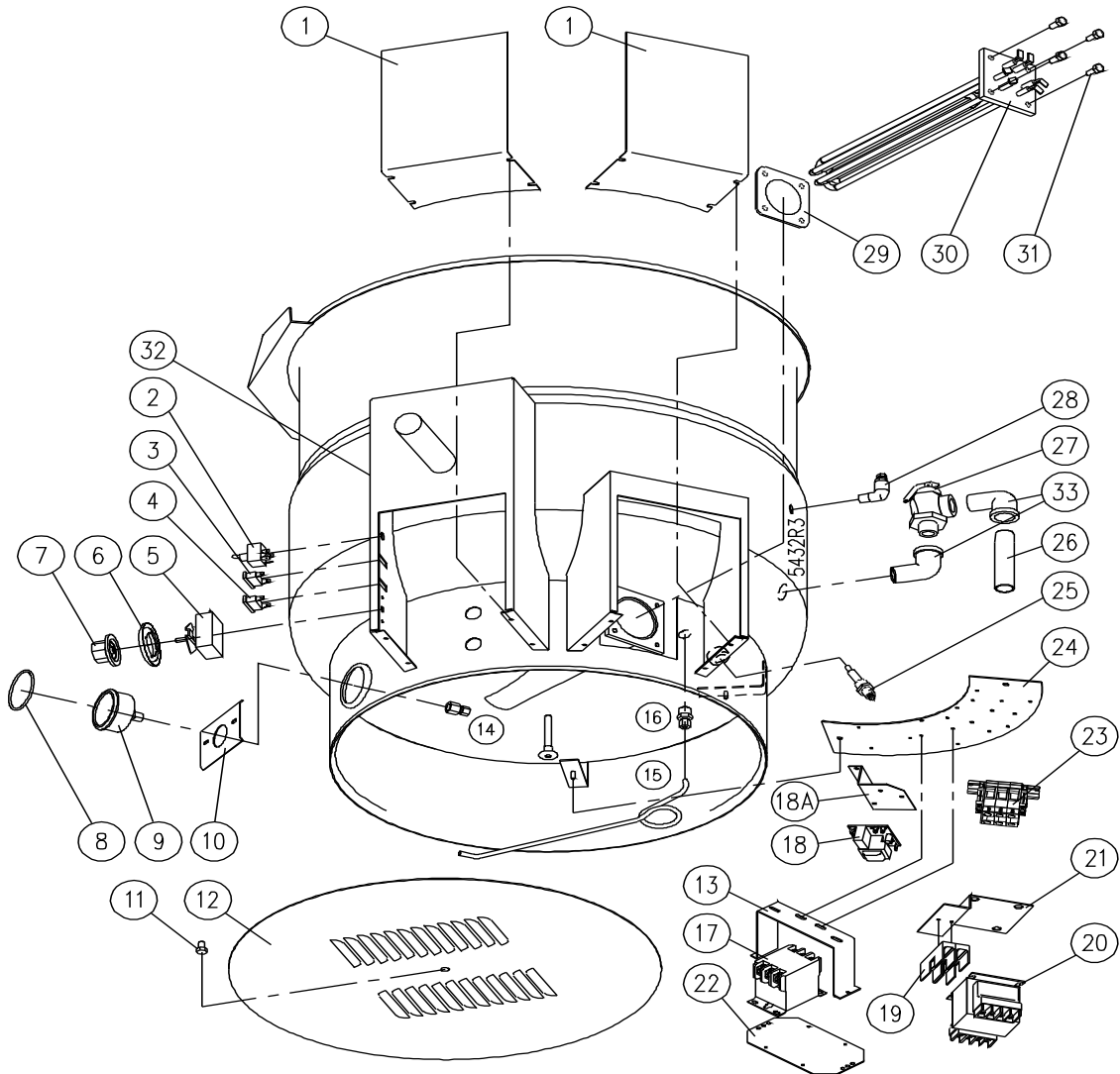
Printed in Canada



PARTS LIST, ELECTRIC LEG-MOUNTED TILTING MIXER KETTLES,
 MODELS ELTM-40 TO ELTM-100, ELTM-40-2 TO 100-2

FIGURE 1

ELECTRIC TILT MIXER



PARTS LIST, ELECTRIC LEG-MOUNTED TILTING MIXER KETTLES,
 MODELS ELTM-40 TO ELTM-100, ELTM-40-2 TO 100-2

FIGURE 1

| <u>ITEM</u> | <u>PART NO.</u> | <u>DESCRIPTION</u> | <u>QUANTITY PER</u> | | | |
|-------------|-----------------|---|---------------------|-----------|-----------|------------|
| | | | <u>KETTLE</u> | | | |
| | | | <u>40</u> | <u>60</u> | <u>80</u> | <u>100</u> |
| 1. | 6880-3 | Housing Cover | 2 | | | |
| | 6880-4 | Housing Cover | | 2 | | |
| | 6880-5 | Housing Cover | | | 2 | |
| | 6880-6 | Housing Cover | | | | 2 |
| 2. | 9110-1 | Power Switch | 1 | 1 | 1 | 1 |
| 3. | 4996-5 | Pilot Light - Low Water | 1 | 1 | 1 | 1 |
| 4. | 4996-5 | Pilot Light - Temperature | 1 | 1 | 1 | 1 |
| 5. | 9126-1 | Thermostat | 1 | 1 | 1 | 1 |
| 6. | 4-TB05 | Bezel | 1 | 1 | 1 | 1 |
| 7. | 6311-1 | Knob Assembly (1-10) | 1 | 1 | 1 | 1 |
| | 5975-2 | Knob Assembly (°F) | 1 | 1 | 1 | 1 |
| | 5976-2 | Knob Assembly (°C) | 1 | 1 | 1 | 1 |
| 8. | 2-230R | "O" Ring | 1 | 1 | 1 | 1 |
| 9. | 4967-1 | Pressure Gauge | 1 | 1 | 1 | 1 |
| 10. | 3407-1 | Pressure Gauge Mounting Plate | 1 | 1 | 1 | 1 |
| 11. | M50S-51618-12 | Hex Bolt, 5/16 - 18 x 1/2" | 1 | 1 | 1 | 1 |
| 12. | 3041-9 | Bottom Cover | 1 | | | |
| | 3041-10 | Bottom Cover | | 1 | | |
| | 3041-11 | Bottom Cover | | | 1 | |
| | 3041-12 | Bottom Cover | | | | 1 |
| ** 13. | 8234-1 | Adapter Plate Bracket, Contactor, 208-240V | 1 | 1 | 1 | 1 |
| | 8369-1 | Adapter Plate Bracket, Contactor, 380-600V | 1 | 1 | 1 | 1 |

PARTS LIST, ELECTRIC LEG-MOUNTED TILTING MIXER KETTLES,
MODELS ELTM-40 TO ELTM-100, ELTM-40-2 TO 100-2

| <u>ITEM</u> | <u>PART NO.</u> | <u>DESCRIPTION</u> | <u>QUANTITY PER</u> | | | | |
|-------------|-----------------|---|---|-----------|-----------|------------|---|
| | | | <u>KETTLE</u> | | | | |
| | | | <u>40</u> | <u>60</u> | <u>80</u> | <u>100</u> | |
| 14. | 3-664B | Connector, 1/4 C x 1/4 FPT | 1 | 1 | 1 | 1 | |
| 15. | 5514-2 | Pressure Gauge - Copper Tube, 28" | 1 | | | | |
| | 5514-3 | Pressure Gauge - Copper Tube, 29" | | 1 | | | |
| | 5514-4 | Pressure Gauge - Copper Tube, 33" | | | 1 | | |
| | 5514-5 | Pressure Gauge - Copper Tube, 35" | | | | 1 | |
| 16. | 3-684C | Connector, 1/4 C x 3/8 MPT | 1 | 1 | 1 | 1 | |
| ** | 17. | 9348-208 | Contact, 3 Pole, 50 Amp, 208 - 240V, 24 kW | 2 | 2 | 2 | 2 |
| | | 9348-208 | Contact, 3 Pole, 50 Amp, 380 - 600V, 24 kW | 1 | 1 | 1 | 1 |
| | | 9349-208 | Contact, 3 Pole, 75 Amp, 208 - 240, 33 kW | | 2 | 2 | 2 |
| | | 9349-208 | Contact, 3 Pole, 75 Amp, 380 - 480, 33 kW | | 1 | 1 | 1 |
| | | 9348-208 | Contact, 3 Pole, 50 Amp, 600V, 33 kW | | 1 | 1 | 1 |
| 18. | 3974-2 | Water Level Control | 1 | 1 | 1 | 1 | |
| 18A. | 5885-1 | Water Level Control Mounting Bracket | 1 | 1 | 1 | 1 | |
| ** | 19. | 9001-2 | Fuse, 1/2 A, 600V, (380 - 600V) | 2 | 2 | 2 | 2 |
| ** | | 9092-3 | Fuse, 3A, 250V (220/380V and 240/415V) | 1 | 1 | 1 | 1 |
| ** | | 9092-3 | Fuse, 3A, 250V (208 - 240V) | 2 | 2 | 2 | 2 |
| ** | | 9002-1 | Fuse Holder, 600V (380 - 600V) | 2 | 2 | 2 | 2 |
| | | 9068-1 | Fuse Holder, 250V (220/380V and 240/415V) | 1 | 1 | 1 | 1 |
| | | 9068-1 | Fuse Holder, 250V (208 - 240V) | 2 | 2 | 2 | 2 |

PARTS LIST, ELECTRIC LEG-MOUNTED TILTING MIXER KETTLES,
MODELS ELTM-40 TO ELTM-100, ELTM-40-2 TO 100-2

| <u>ITEM</u> | <u>PART NO.</u> | <u>DESCRIPTION</u> | <u>QUANTITY PER</u> | | | | |
|-------------|-----------------|--------------------|--|-----------|-----------|------------|---|
| | | | <u>KETTLE</u> | | | | |
| | | | <u>40</u> | <u>60</u> | <u>80</u> | <u>100</u> | |
| ** | 20. | 4-T251 | Transformer, 380, 415V, 100VA | 1 | 1 | 1 | 1 |
| | | 4-T255 | Transformer, 480V, 100VA | 1 | 1 | 1 | 1 |
| | | 4-T260 | Transformer, 600V/100VA | 1 | 1 | 1 | 1 |
| ** | 21. | 5164-1 | Transformer/Fuse Block Mounting Plate (380, 480, 415, 600V) | 1 | 1 | 1 | 1 |
| ** | 22. | 6042-1 | Adapter Plate (208-240V) | 1 | 1 | 1 | 1 |
| | | 6126-1 | Adapter Plate (380-600V) | 1 | 1 | 1 | 1 |
| ** | 23. | 6161-3 | Modular Terminal Assembly, 3 Pole (208, 240, 380, 415, 480, 600V) Includes the following parts: | 1 | 1 | 1 | 1 |
| | | 9374-1 | Modular Terminal, Grey | 3 | 3 | 3 | 3 |
| | | 9375-1 | End Plate | 1 | 1 | 1 | 1 |
| | | 9369-1 | End Clamp | 2 | 2 | 2 | 2 |
| | | 9368-079 | Mounting Rail, 79 mm | 1 | 1 | 1 | 1 |
| ** | 23. | 6161-4N | Modular Terminal Assy, 3 Pole W/Neutral Includes the following parts: | 1 | 1 | 1 | 1 |
| | | 9374-1 | Modular Terminal, Grey | 3 | 3 | 3 | 3 |
| | | 9375-1 | End Plate | 1 | 1 | 1 | 1 |
| | | 9369-1 | End Clamp | 2 | 2 | 2 | 2 |
| | | 9368-098 | Mounting Rail | 1 | 1 | 1 | 1 |
| | 24. | 2782-1 | Component Mounting Plate | 1 | | | |
| | | 2784-1 | Component Mounting Plate | | 1 | | |
| | | 2785-1 | Component Mounting Plate | | | 1 | 1 |
| | 25. | 4-LLP1 | Probe | 1 | 1 | 1 | 1 |
| | 26. | 5184-1 | Down Tube | 1 | 1 | 1 | 1 |

PARTS LIST, ELECTRIC LEG-MOUNTED TILTING MIXER KETTLES,
MODELS ELTM-40 TO ELTM-100, ELTM-40-2 TO 100-2

| <u>ITEM</u> | <u>PART NO.</u> | <u>DESCRIPTION</u> | <u>QUANTITY PER</u> | | | |
|-------------|-----------------|---|---------------------|-----------|-----------|------------|
| | | | <u>KETTLE</u> | | | |
| | | | <u>40</u> | <u>60</u> | <u>80</u> | <u>100</u> |
| 27. | 3-SRV9-1 | Relief Valve, 50 PSI | 1 | 1 | 1 | 1 |
| 28. | 3-AV01 | Air Vent Assembly | 1 | 1 | 1 | 1 |
| 29. | 5986-1 | Element Gasket | 1 | 1 | 1 | 1 |
| ** 30. | 7-5031 | Element Assembly c/w Gasket, 208V, 24 kW | 1 | 1 | 1 | 1 |
| | 7-5037 | Element Assembly c/w Gasket, 220/380V, 24 kW | 1 | 1 | 1 | 1 |
| | 7-5032 | Element Assembly c/w Gasket, 240/416V, 24 kW | 1 | 1 | 1 | 1 |
| | 7-5033 | Element Assembly c/w Gasket, 480V, 24 kW | 1 | 1 | 1 | 1 |
| | 9-3299 | Element Assembly c/w Gasket, 600V, 24 kW | 1 | 1 | 1 | 1 |
| | 7-5034 | Element Assembly c/w Gasket, 208V, 33 kW | | 1 | 1 | 1 |
| | 7-5038 | Element Assembly c/w Gasket, 220/380V, 33 kW | | 1 | 1 | 1 |
| | 7-5035 | Element Assembly c/w Gasket, 240/416V, 33 kW | | 1 | 1 | 1 |
| | 7-5036 | Element Assembly c/w Gasket, 480V, 33 kW | | 1 | 1 | 1 |
| | 2348-2 | Element Assembly c/w Gasket, 600V, 33 kW | | 1 | 1 | 1 |
| 31. | M50S-51618-34 | Hex Bolt, 5/16 - 18 x 3/4 | 4 | 4 | 4 | 4 |
| ** 32. | 6561-4 | Control Panel Decal | 1 | | | |
| | 6561-5 | Control Panel Decal | | 1 | | |
| | 6561-6 | Control Panel Decal | | | 1 | |
| | 6561-7 | Control Panel Decal | | | | 1 |
| 33. | 9012-4P | Street Elbow 90°, 3/4" NPT | 2 | 2 | 2 | 2 |

PARTS LIST, ELECTRIC LEG-MOUNTED TILTING MIXER KETTLES,
 MODELS ELTM-40 TO ELTM-100, ELTM-40-2 TO 100-2

| <u>ITEM</u> | <u>PART NO.</u> | <u>DESCRIPTION</u> | <u>QUANTITY PER</u> | | | |
|-------------|-----------------|--------------------|---------------------|-----------|-----------|------------|
| | | | <u>KETTLE</u> | | | |
| | | | <u>40</u> | <u>60</u> | <u>80</u> | <u>100</u> |
| | | | | | | 1 |

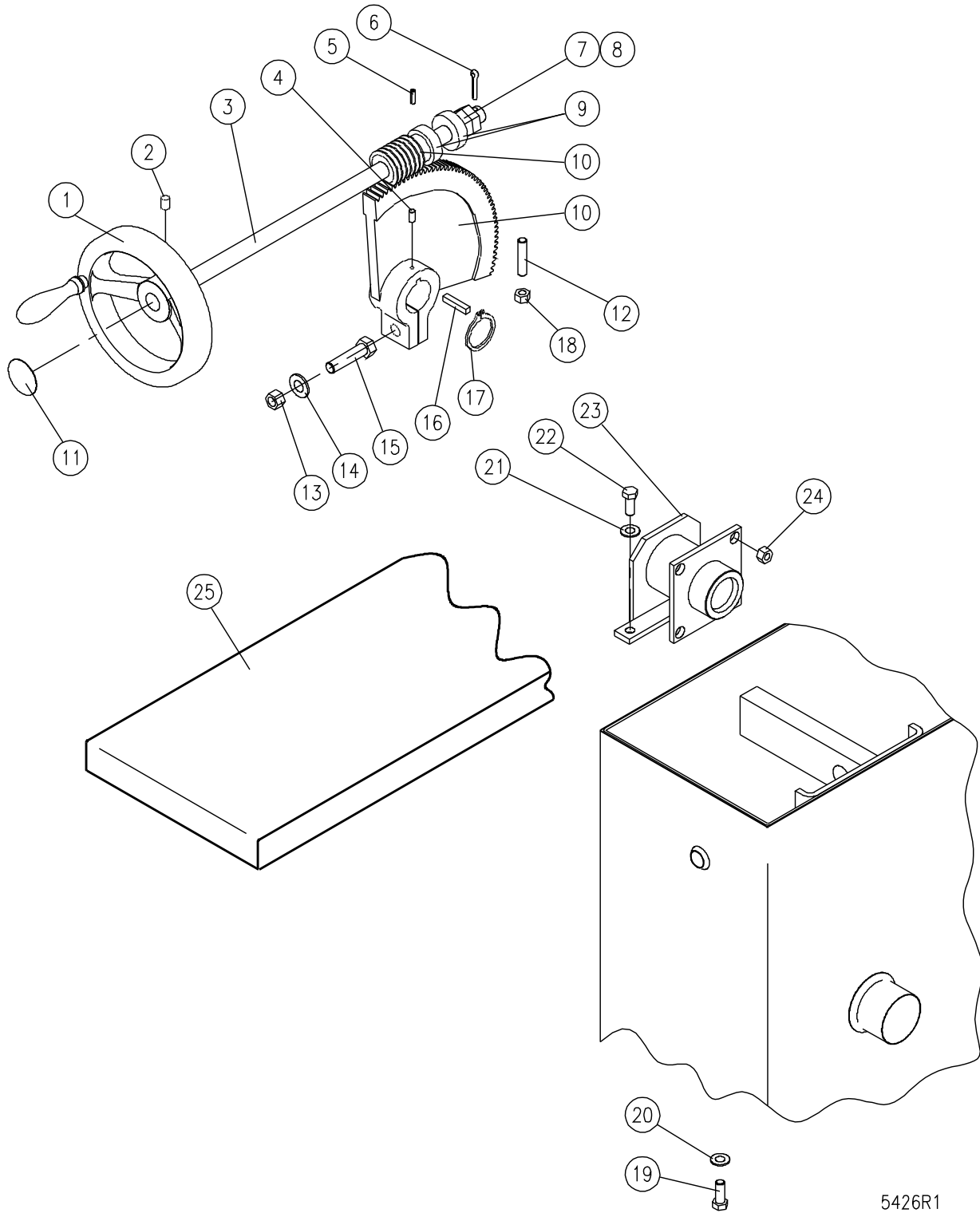
* NOT SHOWN.

** SELECT AS REQUIRED.

PARTS LIST, ELECTRIC LEG-MOUNTED TILTING MIXER KETTLES,
MODELS ELTM-40 TO ELTM-100, ELTM-40-2 TO 100-2

TILT CONSOLE

FIGURE 2



PARTS LIST, ELECTRIC LEG-MOUNTED TILTING MIXER KETTLES,
 MODELS ELTM-40 TO ELTM-100, ELTM-40-2 TO 100-2

FIGURE 2

| <u>ITEM</u> | <u>PART NO.</u> | <u>DESCRIPTION</u> | <u>QUANTITY</u> |
|--------------------|------------------------|---|------------------------|
| 1. | 8-2054 | Hand Wheel | 1 |
| 2. | 9061-5 | Set Screw, 3/8 - 16 x 1/2" | 1 |
| 3. | 6738-2 | Tilt Shaft | 1 |
| 4. | 9061-4 | Set Screw, 1/4 - 20 x 1/2" | 1 |
| 5. | 9032-7 | Tension Pin, 3/16" x 1-1/4" L | 1 |
| 6. | 5329-1 | Cotter Pin, Stainless Steel, 3/16 x 1" | 1 |
| 7. | 2-HN66 | Jam Nut | 2 |
| 8. | 5328-1 | Washer, 3/4 Inside Diameter x 1-1/4 Outside Diameter | 1 |
| 9. | 5327-1 | Thrust Bearing | 2 |
| 10. | 5393-1 | Segment Gear and Worm Gear (Includes Items 4, 5, 13 to 17) | 1 |
| 11. | 5608-2 | Decal - Tilt | 1 |
| 12. | 9061-6 | Set Screw, 3/8 - 16 x 1-3/4" | 1 |
| 13. | 1-99C0 | Nut, 1/2 - 13 | 1 |
| 14. | S01C-12 | Lock Washer, 1/2" | 1 |
| 15. | M50C-1213-2 | Hex HD Screw, 1/2 - 13 x 2" | 1 |
| 16. | 6321-1 | Square Key, 1/4" x 1-3/8" | 1 |
| 17. | 1-R315 | Retaining Ring | 1 |
| 18. | 1-79C0 | Nut, 3/8 - 16 | 1 |
| 19. | M50C-3816-1 | Hex HD Screw, 3/8 - 16 x 1" | 4 |
| 20. | S01C-38 | Lock Washer, 3/8" | 4 |
| 21. | S05N-38 | Lock Washer, 3/8" Stainless Steel | 6 |
| 22. | M50S-3816-114 | Hex HD Screw, 3/8 - 16 x 1-1/4" | 2 |

PARTS LIST, ELECTRIC LEG-MOUNTED TILTING MIXER KETTLES,
 MODELS ELTM-40 TO ELTM-100, ELTM-40-2 TO 100-2

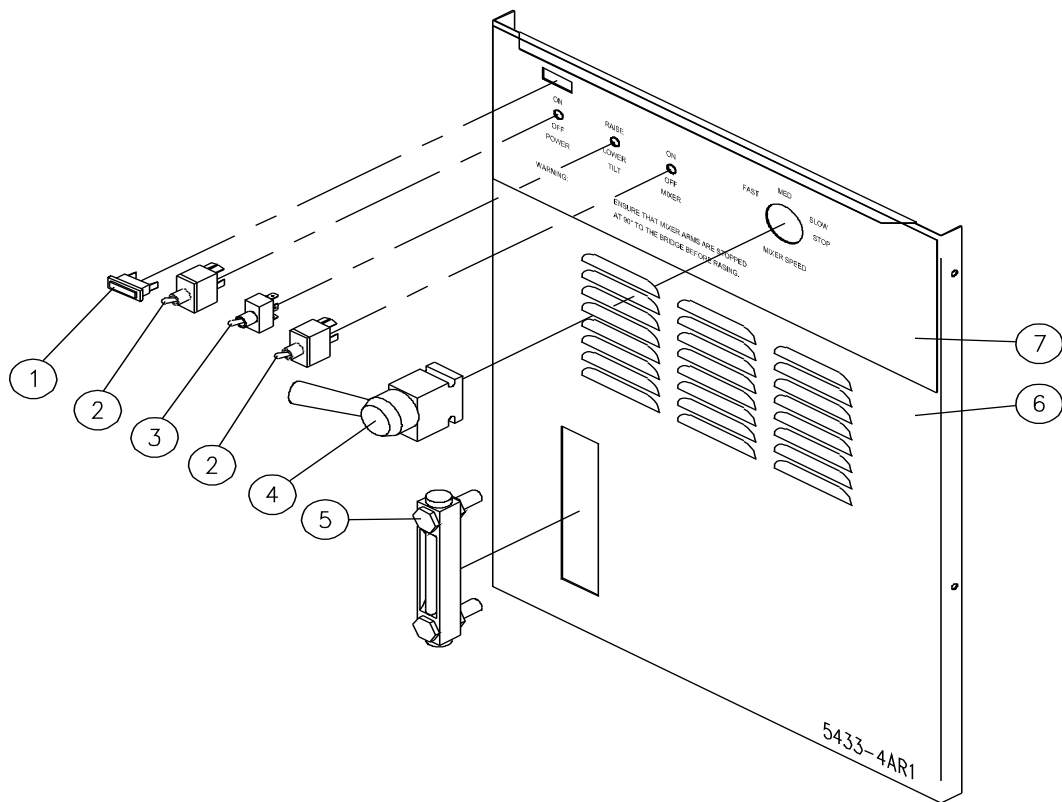
| <u>ITEM</u> | <u>PART NO.</u> | <u>DESCRIPTION</u> | <u>QUANTITY</u> | |
|-------------|-----------------|---|-----------------|---|
| 23. | 4009-1 | Trunnion Housing Assembly | 1 | |
| 24. | 9030-3 | Hex Nut, 3/8 - 16 Stainless Steel | 4 | |
| ** | 25. | 2905-1 | Console Cover | 1 |
| | 2910-1 | Console Cover - Faucet Mounting | 1 | |
| | 4327-1 | Single Pantry Faucet with 18" Nozzle (SF-18) | 1 (2 on twin) | |
| | 4326-1 | Double Pantry Faucet with 18" Nozzle (DF-18) | 1 (2 on twin) | |

* * SELECT AS REQUIRED.

PARTS LIST, ELECTRIC LEG-MOUNTED TILTING MIXER KETTLES,
MODELS ELTM-40 TO ELTM-100, ELTM-40-2 TO 100-2

FIGURE 3

MIXER CONSOLE CONTROL PANEL



PARTS LIST, ELECTRIC LEG-MOUNTED TILTING MIXER KETTLES,
MODELS ELTM-40 TO ELTM-100, ELTM-40-2 TO 100-2

FIGURE 3

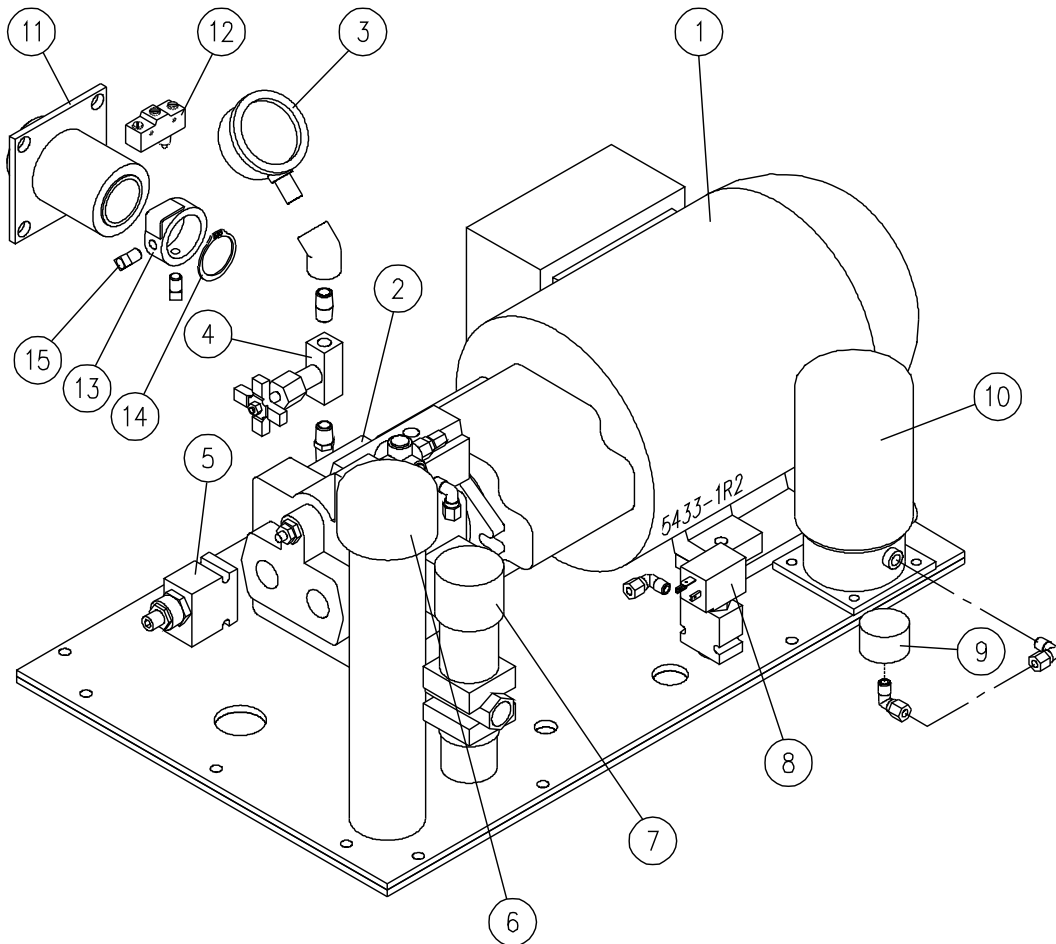
| <u>ITEM</u> | <u>PART NO.</u> | <u>DESCRIPTION</u> | <u>QUANTITY</u> | | | |
|-------------|-----------------|--|-----------------|-----------|-----------|------------|
| | | | <u>40</u> | <u>60</u> | <u>80</u> | <u>100</u> |
| | 1. 4-PL08 | Pilot Light | 1 | 1 | 1 | 1 |
| | 2. 9110-1 | Power Switch | 2 | 2 | 2 | 2 |
| | 3. 9111-1 | Bridge Switch | 1 | 1 | 1 | 1 |
| | 4. 9-3116 | Speed Control Valve (Includes Handle) | 1 | 1 | 1 | 1 |
| | 9199-1 | Handle | 1 | 1 | 1 | 1 |
| | 5. 3872-1 | Sight Glass Gauge | 1 | 1 | 1 | 1 |
| | 6. 7186-1 | Front Console Cover | 1 | 1 | 1 | 1 |
| | 7. 2342-3 | Control Label, Black | 1 | 1 | 1 | 1 |
| * | 8. 2902-1 | Back Console Cover | 1 | 1 | 1 | 1 |
| * | 9. 7172-5 | Front Top Console Cover | 1 | | | |
| | 7172-6 | Front Top Console Cover | | 1 | | |
| | 7172-7 | Front Top Console Cover | | | 1 | |
| | 7172-8 | Front Top Console Cover | | | | 1 |
| * | 10. 7172-13 | Back Top Console Cover | 1 | | | |
| | 7172-14 | Back Top Console Cover | | 1 | | |
| | 7172-15 | Back Top Console Cover | | | 1 | |
| | 7172-16 | Back Top Console Cover | | | | 1 |
| * | 11. 7172-19 | Center Console Cover Assembly | 1 | 1 | 1 | 1 |
| * | 12. 8-1308 | Flanged Adjustable Feet | 4 | 4 | 4 | 4 |

* NOT SHOWN.

PARTS LIST, ELECTRIC LEG-MOUNTED TILTING MIXER KETTLES,
MODELS ELTM-40 TO ELTM-100, ELTM-40-2 TO 100-2

FIGURE 4

HYDRAULIC COMPONENTS



PARTS LIST, ELECTRIC LEG-MOUNTED TILTING MIXER KETTLES,
MODELS ELTM-40 TO ELTM-100, ELTM-40-2 TO 100-2

FIGURE 4

| <u>ITEM</u> | <u>PART NO.</u> | <u>DESCRIPTION</u> | <u>QUANTITY</u> |
|-------------|-----------------|---|-----------------|
| ** | 1. 9-3121 | Motor, 208-230/460V, 3/60 Hz | 1 |
| | 9-3121-2 | Motor, 220-380/415V, 3/50 Hz | 1 |
| | 9-3121-5 | Motor, 550V, 3/60 Hz | 1 |
| | 2. 9-3123 | Piston Pump | 1 |
| * | 5354-1 | Motor Half Coupling | 1 |
| * | 9-3122 | Pump Half Coupling | 1 |
| * | 5355-1 | Insert Coupling | 1 |
| | 3. 9-3126 | Pressure Gauge, 0-3000 PSI | 1 |
| | 4. 9-3125 | Needle Valve | 1 |
| | 5. 9-3124 | Trim Relief Valve | 1 |
| | 6. 9-3119 | Filter Breather | 1 |
| | 7. 5444-1 | Thermostatic Cooling Valve | 1 |
| | 8. 3906-1 | Dump Valve | 1 |
| * | 3906-2 | Coil, 120V, 25W | 1 |
| | 9. 5434-1 | Return Filter Indicator | 1 |
| | 10. 9-3120 | Return Filter | 1 |
| | 11. 2391-1 | Trunnion Housing Assembly | 1 (2 on twin) |
| | 12. 4-M605 | Tilt Interlock Switch | 1 |
| | 13. 3546-1 | Actuator Collar | 1 |
| | 14. 1-R315 | Retaining Ring, External | 1 |
| | 15. 9025-1 | Square HD Set Screw, 3/8-16NC x 1/2 | 2 |
| * | 16. 5162-1 | Solenoid Valve, 2 Way Direct Acting | 1 |
| * | 17. | Cassida "FM Hydraulic Oil 32" or Equivalent, Tank Capacity: 20.71 U.S. Gallons, Fluid Level: 13.62 U.S. Gallons | 1 |

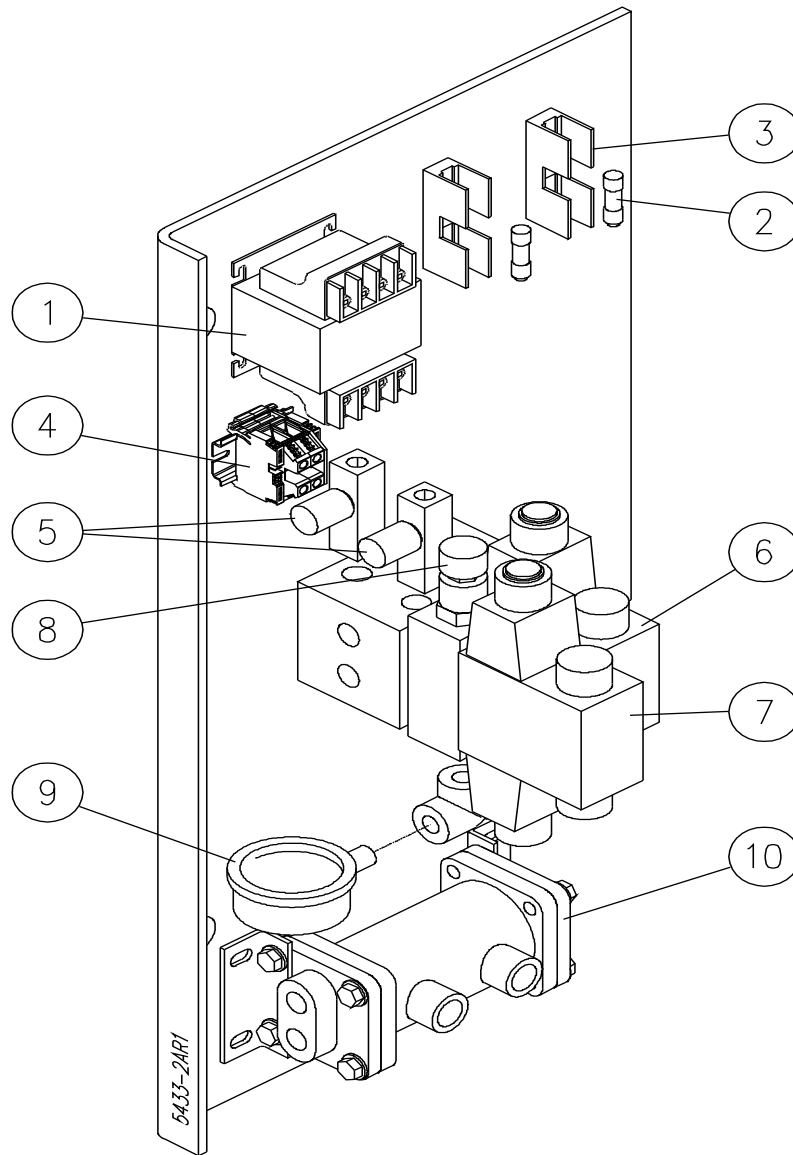
* NOT SHOWN

** SELECT AS REQUIRED

PARTS LIST, ELECTRIC LEG-MOUNTED TILTING MIXER KETTLES,
MODELS ELTM-40 TO ELTM-100, ELTM-40-2 TO 100-2

FIGURE 5

HYDRAULIC AND ELECTRICAL COMPONENTS



PARTS LIST, ELECTRIC LEG-MOUNTED TILTING MIXER KETTLES,
 MODELS ELTM-40 TO ELTM-100, ELTM-40-2 TO 100-2

FIGURE 5

| <u>ITEM</u> | <u>PART NO.</u> | <u>DESCRIPTION</u> | <u>QUANTITY</u> |
|-------------|-----------------|------------------------------------|-----------------|
| ** | 1. 4-T256 | Transformer, 208V, 200VA | 1 |
| | 4-T253 | Transformer, 220-480V, 200VA | 1 |
| | 4694-200 | Transformer, 600V, 200VA | 1 |
| | 2. 9001-3 | Fuse, 1 Amp. | 2 |
| | 3. 9002-1 | Fuse Block | 2 |
| | 4. 9390-2 | Modular Terminal Assembly, 2 Poles | 1 |
| | | Includes the Following Parts: | |
| | 9391-1 | Modular Terminal | 2 |
| | 9392-1 | End Plate | 1 |
| | 9393-1 | End Clamp | 2 |
| | 9394-053 | Mounting Rail, 53 mm | 1 |
| | 5. 5359-1 | Flow Control | 2 |
| | 6. 9251-1 | Control Valve (Motors) | 1 |
| | * 9118-1 | Coil, 110/120 VAC, 50/60 Hz | 1 |
| | * 9304-12 | Bolt Kit | 1 |
| | 7. 9252-1 | Directional Control (Bridge) | 1 |
| | * 9118-1 | Coil, 110/120 VAC 50/60 Hz | 2 |
| | * 9304-27 | Bolt Kit | 1 |
| | 8. 5356-1 | Pressure Reducer (Bridge) | 1 |
| | 9. 5358-1 | Pressure Gauge, 0-2000 PSI | 1 |
| | 10. 5350-1 | Oil Cooler | 1 |

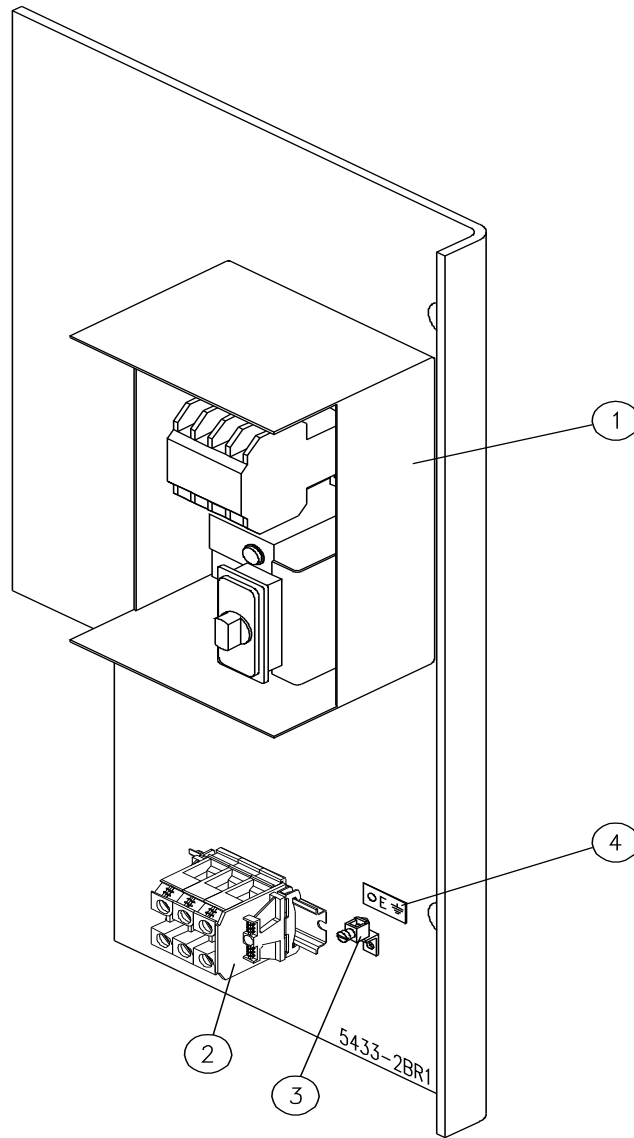
* NOT SHOWN.

* SELECT AS REQUIRED.

PARTS LIST, ELECTRIC LEG-MOUNTED TILTING MIXER KETTLES,
MODELS ELTM-40 TO ELTM-100, ELTM-40-2 TO 100-2

FIGURE 6

STARTER BOX



PARTS LIST, ELECTRIC LEG-MOUNTED TILTING MIXER KETTLES,
 MODELS ELTM-40 TO ELTM-100, ELTM-40-2 TO 100-2

FIGURE 6

| <u>ITEM</u> | <u>PART NO.</u> | <u>DESCRIPTION</u> | <u>QUANTITY</u> |
|-------------|-----------------|---|-----------------|
| ** | 1. | 3030-1 Starter Box Assembly (208V) | 1 |
| | | 4785-1 Contactor | 1 |
| | | 4786-1 Overload (12-17) | 1 |
| | | 4789-1 Switch | 1 |
| | | 3030-2 Starter Box Assembly (240V) | 1 |
| | | 4785-1 Contactor | 1 |
| | | 4786-2 Overload (8.5 - 12.5) | 1 |
| | | 4789-1 Switch | 1 |
| | | 3030-3 Starter Box Assembly (380V, 415V) | 1 |
| | | 4785-3 Contactor | 1 |
| | | 4786-3 Overload (6-9) | 1 |
| | | 4789-1 Switch | 1 |
| | | 3030-5 Starter Box Assembly (480V, 600V) | 1 |
| | | 9165-1 Contactor | 1 |
| | | 9166-1 Overload (4-6) | 1 |
| | | 4789-1 Switch | 1 |
| ** | 2. | 6161-3 Modular Terminal Assembly, 3 Pole Includes the following parts: | 1 |
| | | 9374-1 Modular Terminal, Grey | 3 |
| | | 9375-1 End Plate | 1 |
| | | 9369-1 End Clamp | 2 |
| | | 9368-079 Mounting Rail, 79 mm | 1 |
| ** | | 61614N Modular Terminal Assy, 3 Pole W/Neutral | 1 |

PARTS LIST, ELECTRIC LEG-MOUNTED TILTING MIXER KETTLES,
 MODELS ELTM-40 TO ELTM-100, ELTM-40-2 TO 100-2

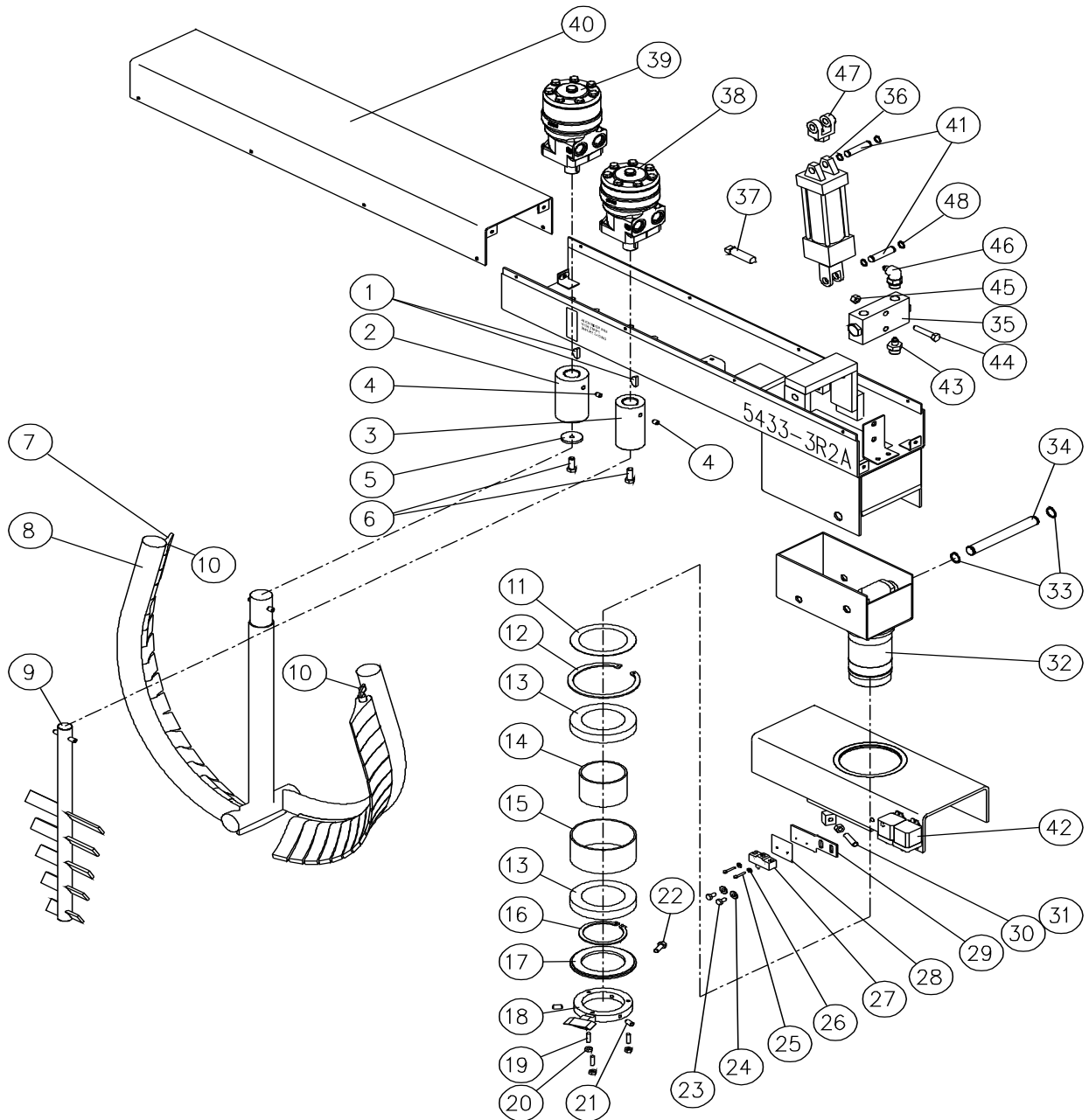
| <u>ITEM</u> | <u>PART NO.</u> | <u>DESCRIPTION</u> | <u>QUANTITY</u> |
|-------------|-----------------|-------------------------------|-----------------|
| | | Includes the following parts: | |
| | 9374-1 | Modular Terminal, Grey | 3 |
| | 9374-2 | Modular Terminal, Blue | 1 |
| | 9375-1 | End Plate | 2 |
| | 9369-1 | End Clamp | 2 |
| | 9368-098 | Mounting Rail | 1 |
| 3. | 4-70EU | Ground Lug | 1 |
| 4. | 4188-1 | Earth ID Tag | 1 |

** SELECT AS REQUIRED.

PARTS LIST, ELECTRIC LEG-MOUNTED TILTING MIXER KETTLES,
 MODELS ELTM-40 TO ELTM-100, ELTM-40-2 TO 100-2

MIXER ARM

FIGURE 7



PARTS LIST, ELECTRIC LEG-MOUNTED TILTING MIXER KETTLES,
 MODELS ELTM-40 TO ELTM-100, ELTM-40-2 TO 100-2

FIGURE 7

| <u>ITEM</u> | <u>PART NO.</u> | <u>DESCRIPTION</u> | <u>QUANTITY</u> |
|-------------|-----------------|---|-----------------|
| | 1. 5312-3 | Woodruff Key | 2 |
| | 2. 1157-1 | Agitator Coupling | 1 |
| | 3. 1157-2 | Agitator Coupling | 1 |
| | 4. 9076-1 | Hex Socket Set Screw, 5/16 - 18 x 5/8 | 2 |
| | 5. 1157-3 | Washer, Stainless Steel | 1 |
| | 6. M50S-1420-34 | Hex HD Screw, 1/4 - 20 x 3/4, Stainless Steel | 2 |
| ** | 7. 4999-1 | Scraper Blades (40 Gallon) | 23 |
| | 4999-1 | Scraper Blades (60 Gallon) | 28 |
| | 4999-1 | Scraper Blades (80 Gallon) | 32 |
| | 4999-1 | Scraper Blades (100 Gallon) | 36 |
| ** | 8. 7052-2 | Primary Agitator (40 Gallon) | 1 |
| | 7053-2 | Primary Agitator (60 Gallon) | 1 |
| | 7054-2 | Primary Agitator (80 Gallon) | 1 |
| | 7055-2 | Primary Agitator (100 Gallon) | 1 |
| ** | 9. 2390-2 | Secondary Agitator (40 Gallon) | 1 |
| | 3024-2 | Secondary Agitator (60 Gallon) | 1 |
| | 3025-2 | Secondary Agitator (80 Gallon) | 1 |
| | 3026-2 | Secondary Agitator (100 Gallon) | 1 |
| | 10. 4562-1 | Retaining Ring | 2 |
| | 11. 5064-1 | Protector | 1 |
| | 12. 5093-2N | Retaining Ring | 1 |
| | 13. 5093-1 | Bearing | 2 |
| | 14. 5063-1 | Bearing Spacer Inner | 1 |

PARTS LIST, ELECTRIC LEG-MOUNTED TILTING MIXER KETTLES,
MODELS ELTM-40 TO ELTM-100, ELTM-40-2 TO 100-2

| <u>ITEM</u> | <u>PART NO.</u> | <u>DESCRIPTION</u> | <u>QUANTITY</u> |
|-------------|-----------------|--|-----------------|
| 15. | 5063-2 | Bearing Spacer Outer | 1 |
| 16. | 5093-3 | Retaining Ring | 1 |
| 17. | 5092-1 | Friction Disc | 1 |
| 18. | 5061-1 | Collar Assembly | 1 |
| 19. | 9075-1 | Set Screw, 1/4 - 20 x 1 | 3 |
| 20. | 9030-1 | Nut, 1/4 - 20 | 3 |
| 21. | 9076-1 | Set Screw, 5/16 - 18 x 5/8 | 2 |
| 22. | M50S-51618-78 | Hex HD Screw, 5/16 - 18 x 7/8 | 1 |
| 23. | M50X-1420-12 | Hex Bolt, 1/4 - 20 x 1/2 | 2 |
| 24. | F01X-14 | Flat Washer, 1/4" | 2 |
| 25. | M93C-632-78 | Screw Pan Slot, #6 | 2 |
| 26. | E01X-6 | External Tooth Lock Washer, #6 | 2 |
| 27. | 4-M605 | Limit Switch | 1 |
| 28. | REF | Fiche Paper | 1 |
| 29. | 5056-1 | Limit Switch Bracket | 1 |
| 30. | 9074-1 | Hex Socket Set Screw, 3/8" - 16 x 1-1/2" | 1 |
| 31. | 9029-3 | Hex Nut, 3/8" - 16 | 1 |
| 32. | 1325-1 | Swivel Base | 1 |
| 33. | 1-XR75 | Retaining Ring | 2 |
| 34. | 2398-1 | Tilt Shaft, Bridge | 1 |
| 35. | 5243-1 | Double Pilot Check Valve | 1 |
| 36. | 9-3136 | Cylinder | 1 |
| 37. | 9121-3 | Mercury Switch | 1 |
| * | 9121-2 | Mercury Switch Bracket | 1 |
| 38. | 9358-1 | Hydraulic Motor Secondary | 1 |

PARTS LIST, ELECTRIC LEG-MOUNTED TILTING MIXER KETTLES,
MODELS ELTM-40 TO ELTM-100, ELTM-40-2 TO 100-2

| <u>ITEM</u> | <u>PART NO.</u> | <u>DESCRIPTION</u> | <u>QUANTITY</u> |
|-------------|-------------------|--------------------------------------|-----------------|
| | 39. 9359-1 | Hydraulic Motor Primary | 1 |
| ** | 40. 7191-1 | Bridge Cover (40 Gallon) | 1 |
| | 7191-2 | Bridge Cover (60 Gallon) | 1 |
| | 7191-3 | Bridge Cover (80 Gallon) | 1 |
| | 7191-4 | Bridge Cover (100 Gallon) | 1 |
| | 41. 4062-1 | Pin c/w Clips | 2 |
| | 42. 4-RL55 | Relay | 2 |
| ** | 43. 9285-1 | Connector, Male "O" Ring Boss, 3/8 | 2 |
| | 9285-2 | Connector, Male "O" Ring Boss, 1/2 | 2 |
| | 44. M50S-3816-178 | Hex Head Screw, 3/8 - 16 UNC x 1-7/8 | 2 |
| | 45. 9030-3 | Hex Nut, 3/8 - 16 UNC | 2 |
| ** | 46. 9284-1 | Elbow, 90° Male "O" Ring Boss, 3/8 | 2 |
| | 9284-2 | Elbow 90° Male "O" Ring Boss, 1/2 | 2 |
| | 47. 9354-1 | Hydraulic Cylinder Yoke | 1 |
| | 48. 1-R350 | External Retaining Ring | 4 |

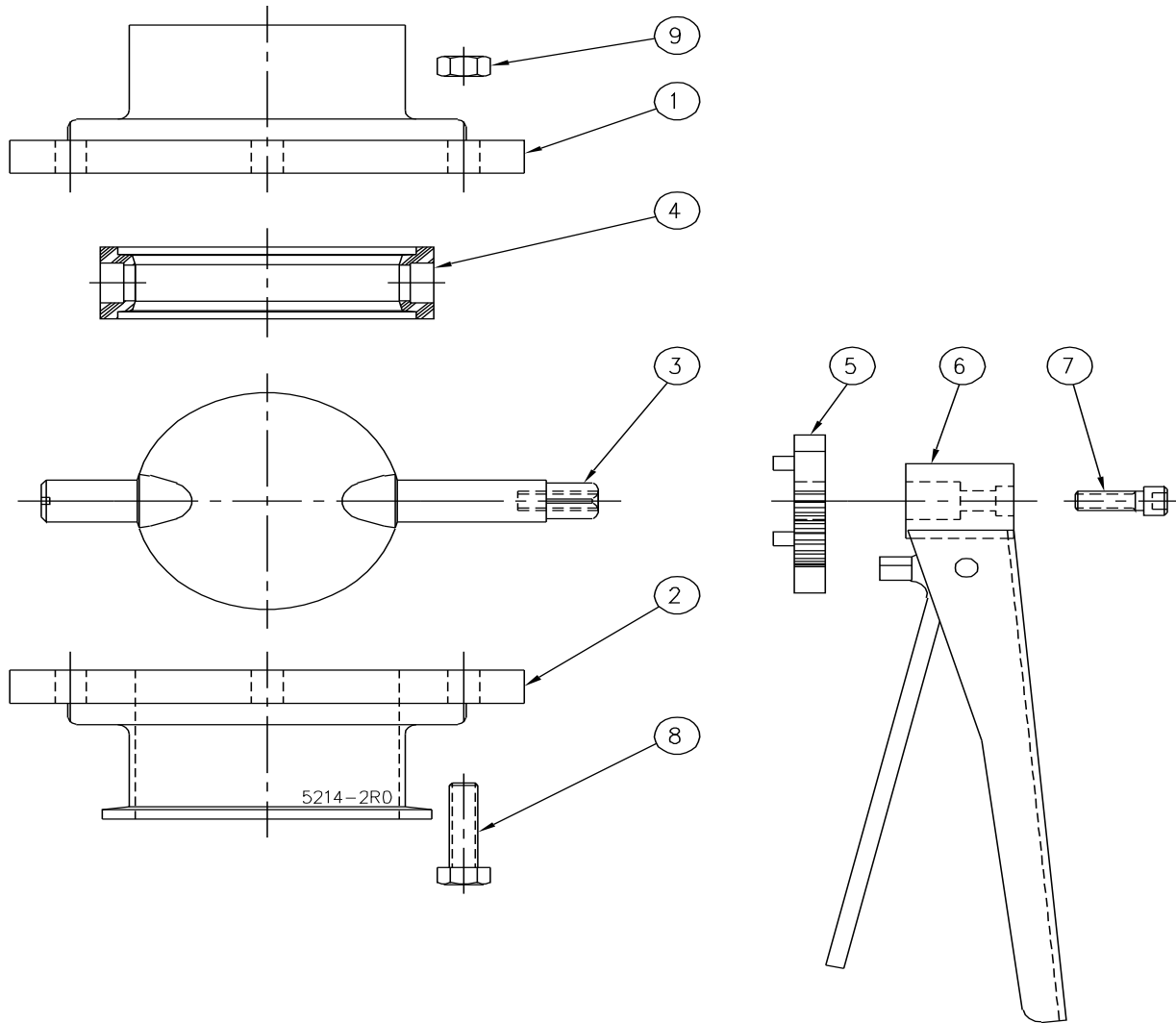
* NOT SHOWN.

** SELECT AS REQUIRED.

PARTS LIST, ELECTRIC LEG-MOUNTED TILTING MIXER KETTLES,
MODELS ELTM-40 TO ELTM-100, ELTM-40-2 TO 100-2

FIGURE 8

BUTTERFLY VALVE



PARTS LIST, ELECTRIC LEG-MOUNTED TILTING MIXER KETTLES,
MODELS ELTM-40 TO ELTM-100, ELTM-40-2 TO 100-2

FIGURE 8

TWO INCH BUTTERFLY VALVE

| <u>ITEM</u> | <u>PART NO.</u> | <u>DESCRIPTION</u> | <u>QUANTITY</u> |
|--------------------|------------------------|---------------------------|------------------------|
| 1. | 5215-3 | Body Half | 1 |
| 2. | 5215-4 | Body Half | 1 |
| 3. | 4045-3 | Stem | 1 |
| 4. | 5210-1 | Silicon Seat | 1 |
| 5. | 5209-3 | Intermediate Step | 1 |
| 6. | 4046-2 | Handle | 1 |
| 7. | 5217-1 | Hex Bolt | 1 |
| 8. | 4048-1 | Hex Bolt | 4 |
| 9. | 4049-1 | Hex Nut | 4 |

PARTS LIST, ELECTRIC LEG-MOUNTED TILTING MIXER KETTLES,
MODELS ELTM-40 TO ELTM-100, ELTM-40-2 TO 100-2

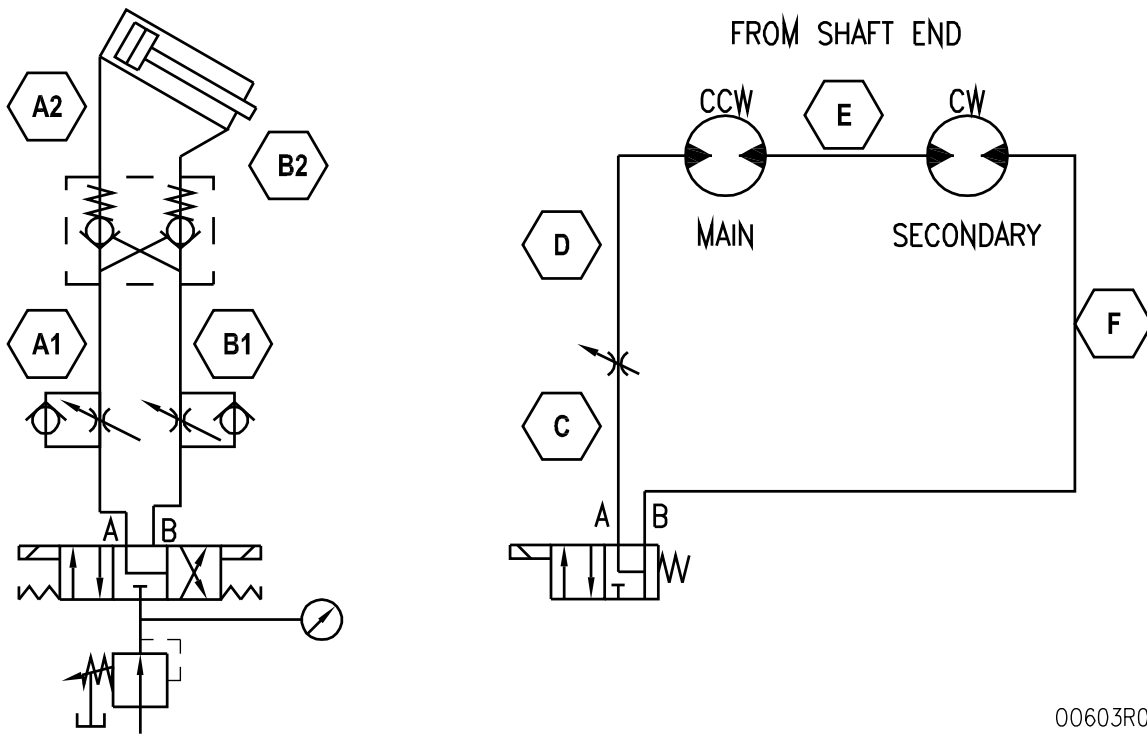
THREE INCH BUTTERFLY VALVE

| <u>ITEM</u> | <u>PART NO.</u> | <u>DESCRIPTION</u> | <u>QUANTITY</u> |
|--------------------|------------------------|---------------------------|------------------------|
| 1. | 5216-3 | Body Half | 1 |
| 2. | 5216-4 | Body Half | 1 |
| 3. | 4045-4 | Stem | 1 |
| 4. | 5212-1 | Silicon Seat | 1 |
| 5. | 5209-4 | Intermediate Step | 1 |
| 6. | 4046-2 | Handle | 1 |
| 7. | 5217-1 | Hex Bolt | 1 |
| 8. | 4048-2 | Hex Bolt | 6 |
| 9. | 4049-1 | Hex Nut | 6 |

PARTS LIST, ELECTRIC LEG-MOUNTED TILTING MIXER KETTLES,
MODELS ELTM-40 TO ELTM-100, ELTM-40-2 TO 100-2

FIGURE 9

HYDRAULIC HOSES



00603R0

PARTS LIST, ELECTRIC LEG-MOUNTED TILTING MIXER KETTLES,
 MODELS ELTM-40 TO ELTM-100, ELTM-40-2 TO 100-2

FIGURE 9

| <u>ITEM</u> | <u>PART NO.</u> | <u>DESCRIPTION</u> | <u>QUANTITY</u> | | | |
|-------------|-----------------|--------------------|-----------------|-----------|-----------|------------|
| | | | <u>40</u> | <u>60</u> | <u>80</u> | <u>100</u> |
| A1 | 5363-1 | Hose Assembly | 1 | 1 | | |
| | 5363-2 | Hose Assembly | | | 1 | 1 |
| | 5363-3 | Hose Assembly | | | | 1 |
| A2 | 5364-1 | Hose Assembly | 1 | 1 | 1 | 1 |
| B1 | 5365-1 | Hose Assembly | 1 | 1 | | |
| | 5365-2 | Hose Assembly | | | 1 | |
| | 5365-3 | Hose Assembly | | | | 1 |
| B2 | 5366-1 | Hose Assembly | 1 | 1 | 1 | 1 |
| C | 5367-1 | Hose Assembly | 1 | | | |
| | 5367-2 | Hose Assembly | | 1 | | |
| | 5367-3 | Hose Assembly | | | 1 | |
| | 5367-4 | Hose Assembly | | | | 1 |
| D | 5368-1 | Hose Assembly | 1 | | | |
| | 5368-2 | Hose Assembly | | 1 | | |
| | 5368-3 | Hose Assembly | | | 1 | |
| | 5368-4 | Hose Assembly | | | | 1 |
| E | 5369-1 | Hose Assembly | 1 | | | |
| | 5369-2 | Hose Assembly | | 1 | 1 | |
| | 5369-3 | Hose Assembly | | | | 1 |
| F | 5370-1 | Hose Assembly | 1 | | | |
| | 5370-2 | Hose Assembly | | 1 | | |
| | 5370-3 | Hose Assembly | | | 1 | 1 |
| PC* | 5371-1 | Hose Assembly | 1 | 1 | 1 | 1 |

* PC = Pump Connection, Not Shown.