



**IMPORTANT FOR FUTURE REFERENCE**  
 Please complete this information and retain this manual for the life of the equipment:

Model #: \_\_\_\_\_  
 Serial #: \_\_\_\_\_  
 Date Purchased: \_\_\_\_\_

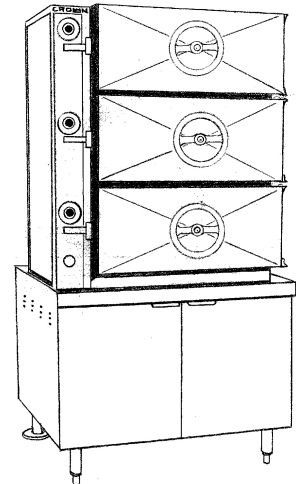
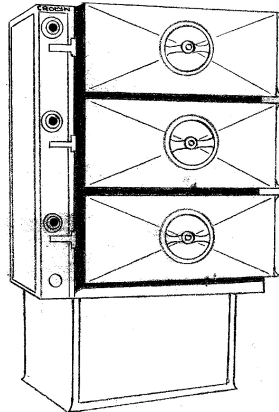
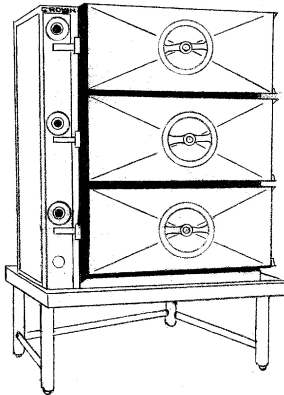
## PARTS LIST

8 jfYWiGhYUa 7 ca dUfha Ybh7 cc\_Yfg

DC-2 DC-3 EC-2 EC-3 GC-2 GC-3 SC-2 SC-3

87 @&87 @' 87 D!&87 D!' 87 K!&87 K!' 885!&885!' 985!&985!' GDA-2 GDA-3 SCDA-2 SCDA-3

885!&885!' 985!&985!' GDA-2 GDA-3 SCDA-2 SCDA-3



**⚠ WARNING**

Improper installation, adjustment, alteration, service or maintenance can cause property damage, injury or death. Read the installation, operating and maintenance instructions thoroughly before installing or servicing this equipment.

**CROWN FOOD SERVICE EQUIPMENT**

A Middleby Company

70 Oakdale Road, Downsview (Toronto) Ontario, Canada, M3N 1V9

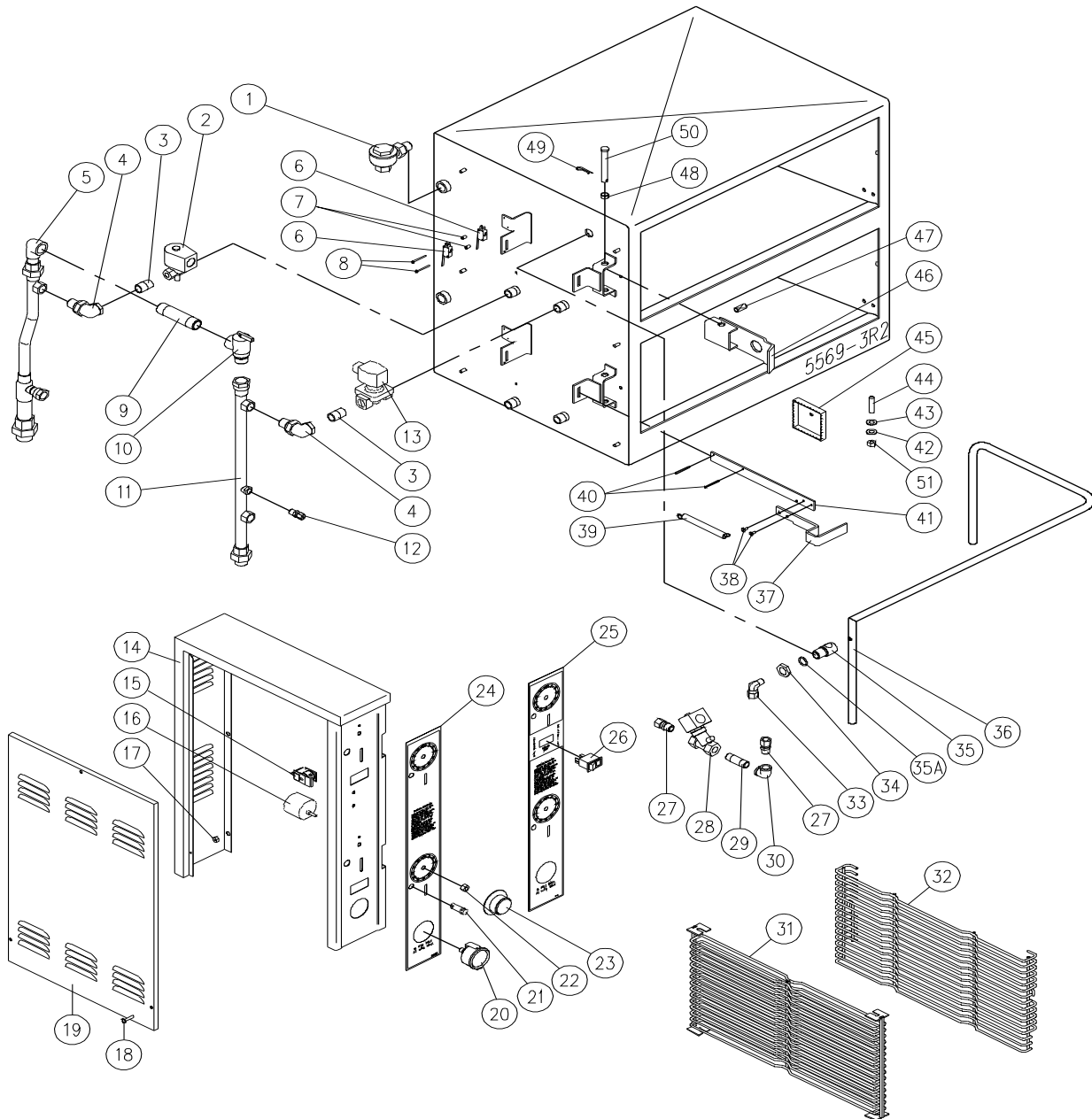
Telephone: 919-762-1000 [www.crownsteamgroup.com](http://www.crownsteamgroup.com)

Printed in Canada



PARTS LIST, PRESSURE COOKERS, MODELS, DC-2, 3, DCL-2, 3, 4, DCP-2, 3, 4,  
DCW-2, 3, DDA-2, EC-2, 3, EDA-2, GC-2, 3, GDA-2, SC-2, 3, SCDA-2.

**FIGURE 1**



PARTS LIST, PRESSURE COOKERS, MODELS, DC-2, 3, DCL-2, 3, 4, DCP-2, 3, 4,  
DCW-2, 3, DDA-2, EC-2, 3, EDA-2, GC-2, 3, GDA-2, SC-2, 3, SCDA-2.

<u>ITEM</u>	<u>PART NO.</u>	<u>DESCRIPTION</u>	<u>PRESSURE COOKER COMPARTMENTS</u>		<u>DO-ALL COMPARTMENTS</u>	
			<u>2</u>	<u>3</u>	<u>2</u>	<u>3</u>
1.	9170-1	Steam Trap	2	3	2	3
2.	3-S467	Exhaust Solenoid Valve	2	3	2	3
3.	9072-000	Brass Close Nipple, 1/2"	4	6	4	6
4.	3-U4BE	Union Elbow, 1/2"	4	6	4	6
5.	8-1228	Exhaust Header Assembly	1		1	
	8-1229	Exhaust Header Assembly		1		1
6.	9177-1	Micro Switch	4	6	4	6
7.	9082-2	Micro Switch Spacer	4	6	4	6
8.	M93C-440-138	Screw, #4 - 40 x 1-3/8"	4	6	4	6
9.	9090-040	Brass Nipple, 3/4 x 4"	1	1	1	1
10.	3-SRV1	Relief Valve, 8 psi	1	1	1	1
11.	8-1226	Steam Header Assembly	1		1	
	8-1227	Steam Header Assembly		1		1
12.	3-684B	Connector, 1/4 C x 1/4 MPT	1	1	1	1
13.	9273-1	Steam In Solenoid Valve	2	3	2	3
14.	8-1207	Control Enclosure	1		1	
	8-1208	Control Enclosure		1		1
15.	3821-1	Buzzer	1	1	1	1
16.	4-T209	Timer	2	3	2	3
17.	HN01X-1420	Nut, 1/4 - 20	6	7	6	7
18.	M33S-1032-1	Screw, 10 - 32 x 1"	3	3	3	3
19.	8-1211	Control Box Cover	1		1	

PARTS LIST, PRESSURE COOKERS, MODELS, DC-2, 3, DCL-2, 3, 4, DCP-2, 3, 4,  
DCW-2, 3, DDA-2, EC-2, 3, EDA-2, GC-2, 3, GDA-2, SC-2, 3, SCDA-2.

<u>ITEM</u>	<u>PART NO.</u>	<u>DESCRIPTION</u>	<u>PRESSURE COOKER COMPARTMENTS</u>		<u>DO-ALL COMPARTMENTS</u>	
			<u>2</u>	<u>3</u>	<u>2</u>	<u>3</u>
19.	8-1212	Control Box Cover		1		1
20.	3-CB15	Pressure Gauge	1	1	1	1
21.	4-PL04	Pilot Light	2	3	2	3
22.	9109-1	Rotary Shaft Seal	2	3	2	3
23.	4-TD02	Timer Dial	2	3	2	3
24.	6459-1	Cooker Instructions	1			
	6462-1	Cooker Instructions		1		
25.	6456-1	Do-All Cooker Instructions			1	
	6458-1	Do-All Cooker Instructions				1
26.	9124-2	Pressureless Mode Switch			1	1
27.	3-688C	Connector, 1/2"C x 3/8" MPT			2	2
28.	3-S322	Steam Solenoid Valve			1	1
29.	9091-024	Brass Nipple, 3/8" x 2-1/2"			1	1
30.	3-100C	Brass Elbow, 3/8" FPT			1	1
31.	2680-1	Universal Pan Support	2	3	2	3
32.	6809-1	Pan Slides, Right Hand and Left Hand	4	6	4	6
33.	3-698C	Elbow, 1/2"C x 3/8" MPT			1	1
34.	3-111D	Lock Nut, 1/2" NPT			1	1
35.	3345-1	Manifold Fitting			1	1
35A.	2-115R	O-Ring			1	1
36.	9-3225	Steam Manifold			1	1

PARTS LIST, PRESSURE COOKERS, MODELS, DC-2, 3, DCL-2, 3, 4, DCP-2, 3, 4,  
DCW-2, 3, DDA-2, EC-2, 3, EDA-2, GC-2, 3, GDA-2, SC-2, 3, SCDA-2.

<u>ITEM</u>	<u>PART NO.</u>	<u>DESCRIPTION</u>	<u>PRESSURE COOKER COMPARTMENTS</u>		<u>DO-ALL COMPARTMENTS</u>	
			<u>2</u>	<u>3</u>	<u>2</u>	<u>3</u>
37.	8-1247	Operating Handle	2	3	2	3
38.	M43C-1032-38	Screw, 10 - 32 x 3/8"	4	6	4	6
39.	2-ES89	Extension Spring	2	3	2	3
40.	9032-2	Tension Pin, 1/8 x 1-1/4	4	6	4	6
41.	3901-1	Handle Extension	2	3	2	3
42.	S01X-38	Lock Washer, 3/8"	4	4	4	4
43.	F01X-38	Flat Washer, 3/8"	4	4	4	4
44.	S2101P-3816-134	Hold Down Bolt, 3/8-16 x 1-3/4	4	4	4	4
45.	4073-1	Compartment Strainer	2	3	2	3
46.	8-1249	Hasp Assembly	2	3	2	3
47.	9341-1	Compression Spring	2	3	2	3
48.	8-1251	Hasp Alignment Spacer	2	3	2	3
49.	9004-6	Hasp Pin Clip	2	3	2	3
50.	2-P8C9	Hasp Pin	2	3	2	3
51.	HN01X-3816	Nut, 3/8 - 16 UNC	4	4	4	4
* 52.	B-2230G1	Rack, Stainless Steel	2	3	2	3

\* NOT SHOWN.



PARTS LIST, PRESSURE COOKERS, MODELS, DC-2, 3, DCL-2, 3, 4, DCP-2, 3, 4,  
DCW-2, 3, DDA-2, EC-2, 3, EDA-2, GC-2, 3, GDA-2, SC-2, 3, SCDA-2.

**FIGURE 2**

<u>ITEM</u>	<u>PART NO.</u>	<u>DESCRIPTION</u>	<u>QUANTITY</u>
1.	M50S-1420-12	Hex Head Cap Screw, 1/4" -20 UNC x 1/2" Long	11
2.	8-1176	Finger Hook	2
3.	8-1177	Gasket Panel	1
4.	8-1178	Door Gasket	1
5.	8-1179	Aluminum Plate	1
6.	3279-1	Support Angle	1
7.	3281-2	Alignment Screw	2
8.	HN01X-51618	Nut, 5/16" - 18 UNC	2
9.	6532-1	Thrust Bar	1
10.	9115-1	Shoulder Screw, 1/4" - 20 UNC x 1-1/4" Long	2
11.	8-1183-1	Thrust Screw	1
12.	5312-2	Woodruff Key	1
13.	9-3200	Bearing Clip	1
14.	5326-1	Thrust Bar Bearing	1
15.	8-1184-A	Compartment Door Assembly	1
	8-1184	Compartment Door Body	1
16.	8-1187	Bronze Bushing	2
17.	9032-6	Spring Tension Pin	2
18.	8-1188	Hinge	2
19.	8-1189	Hinge Pin	2
20.	2-011R	"O" Ring	6
21.	M50S-51618-12	Hex Cap Screw, 5/16" - 18 UNC x 1/2" Long	6
22.	8-1190-1	Stainless Steel Bushing	1

PARTS LIST, PRESSURE COOKERS, MODELS, DC-2, 3, DCL-2, 3, 4, DCP-2, 3, 4,  
DCW-2, 3, DDA-2, EC-2, 3, EDA-2, GC-2, 3, GDA-2, SC-2, 3, SCDA-2.

<u>ITEM</u>	<u>PART NO.</u>	<u>DESCRIPTION</u>	<u>QUANTITY</u>
23.	8-1191	Handwheel	1
24.	3962-1	Front Handle Washer	1
25.	3298-1	Open - Close Label	1
26.	M50S-51618-34	Hex Screw, 5/16" - 18 x 3/4"	1