



**IMPORTANT FOR FUTURE REFERENCE**

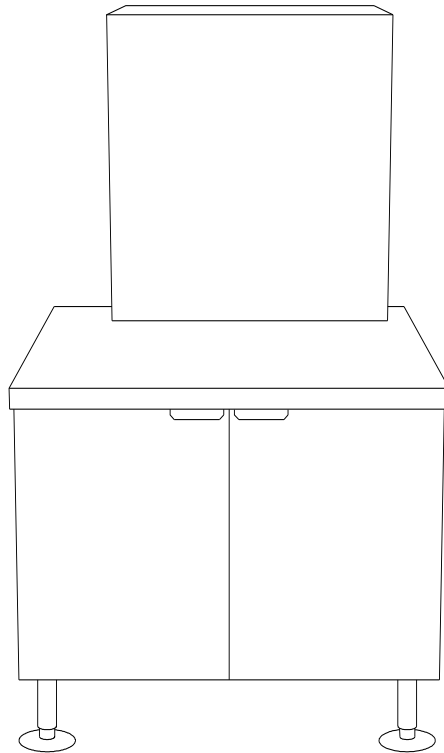
Please complete this information and retain this manual for the life of the equipment:

Model #: \_\_\_\_\_

Serial #: \_\_\_\_\_

Date Purchased: \_\_\_\_\_


**PARTS LIST**  
**Gas Fired Steam Generator in Cabinet Base**  
**CG-320(E) CG-325(E) CG-330(E)**



**WARNING**

Improper installation, adjustment, alteration, service or maintenance can cause property damage, injury or death. Read the installation, operating and maintenance instructions thoroughly before installing or servicing this equipment.

**CROWN FOOD SERVICE EQUIPMENT**

 A Middleby Company

70 Oakdale Road, Downsview (Toronto) Ontario, Canada, M3N 1V9

Telephone: 919-762-1000

[www.crownsteamgroup.com](http://www.crownsteamgroup.com)

Printed in Canada

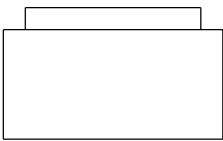
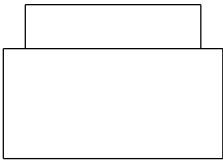
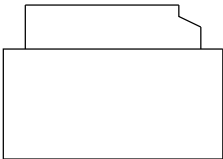
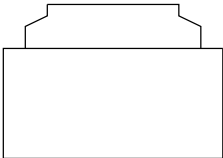
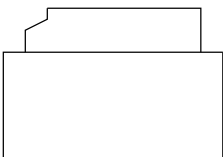


**PARTS LIST, GAS BOILERS,  
MODELS: CG320 (E), CG325 (E), CG330 (E)**

**FIGURE 1**

**GAS BOILER SHELLS, 24" WIDE**

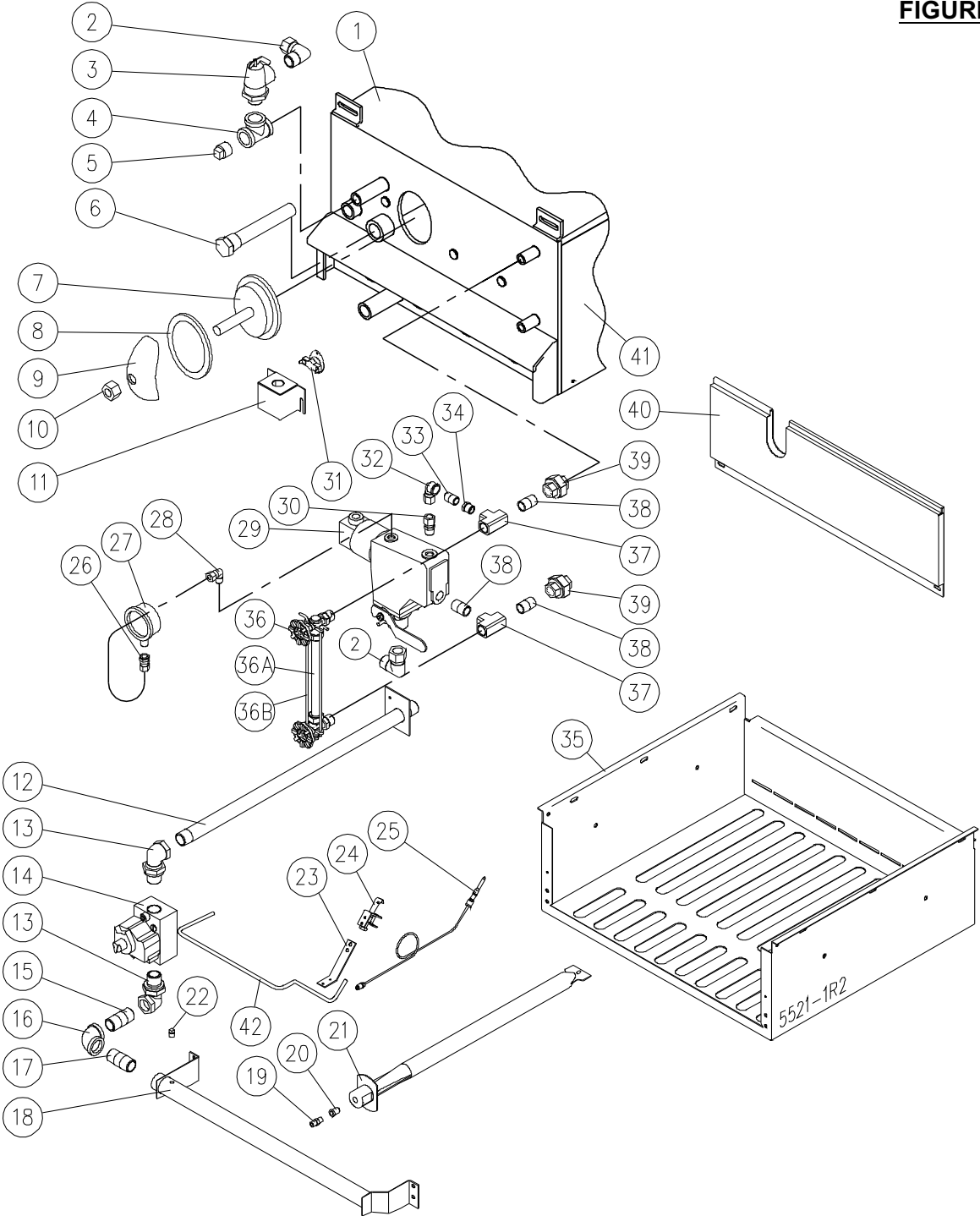
(Choose replacement boiler shell based on description and shape of flue as illustrated in the diagrams. Illustrations are based on front view of the boiler when looking at front of unit.)

<u>ITEM</u>	<u>PART NO.</u>	<u>DESCRIPTION</u>
1	8-6014 (6779-1)	 <p>200,000, 250,000, 300,000 BTU USED ON ALL COOKERS IN 36" CABINET BASE OR LARGER. ALSO BOILER BASE UNITS. I.E. CG320, CG325</p>
2	8-6014-1 (6780-1)	 <p>200,000, 250,000, 300,000 BTU USED ON UNITS THAT HAVE A 6 GAL. DIRECT STEAM KETTLE MOUNTED ON THE CABINET WITH THE COOKER. I.E. GC-2-6, GCX-2-6, GCX10-6 OR A GMT-10-6</p>
3	8-6014-2 (6781-1)	 <p>200,000, 250,000, 300,000 BTU USED ON UNITS THAT HAVE A 10 GAL. DIRECT STEAM KETTLE MOUNTED ON THE RIGHT HAND SIDE OF THE CABINET WITH A COOKER. I.E. GCX-2-10, GC-2-10, GCX-2-10-6</p>
4	8-6014-3 (6782-1)	 <p>200,000, 250,000, 300,000 BTU USED ON GMT-10-10</p>
5	8-6014-4 (6782-2)	 <p>200,000, 250,000, 300,000 BTU USED ON GMT-10-6 ON A 42" CABINET BASE.</p>

5442-5R1

PARTS LIST, GAS BOILERS,  
 MODELS: CG320 (E), CG325 (E), CG330 (E)

**FIGURE 2**



PARTS LIST, GAS BOILERS,  
MODELS: CG320 (E), CG325 (E), CG330 (E)

**FIGURE 2**

<u>ITEM</u>	<u>PART NO.</u>	<u>DESCRIPTION</u>	<u>CG320</u>	<u>CG325</u>	<u>CG330</u>	
1.	9-3112	Top Insulation Cover	1	1	1	
2.	3-6912E	Elbow, 3/4C x 3/4 MPT	1	1	1	
3.	3-SRV3	Safety Relief Valve	1	1	1	
4.	9013-4	Tee, 3/4 FPT	1	1	1	
5.	9035-5	Square Head Plug 3/4 MPT	1	1	1	
**	6.	9-3441	Anode, 1" NPT x 6"	1	1	1
*		8-6011	Anode (Hanging)	1	1	1
7.	8-1922	Hand Hole Cover Plate	1	1	1	
8.	8-1923	Hand Hole Gasket	1	1	1	
9.	8-1924	Yoke	1	1	1	
10.	HN01N-3816	Nut	1	1	1	
11.	4079-1	High Limit Box	1	1	1	
12.	5522-1	Gas Supply Pipe Assembly	1	1	1	
13.	3-U6BE	Union Elbow, 3/4"	2	2	2	
**	14.	6-36C0	Combination Gas Control, Natural	1	1	1
		6-36C0-1	Combination Gas Control, LP	1	1	1
		5447-1	Combination Gas Control, Natural, Electronic Ignition	1	1	1
		5447-2	Combination Gas Control LP, Electronic Ignition	1	1	1
15.	9010-030	Nipple, 3/4 x 3"	1	1	1	
16.	9011-4	Elbow, 3/4"	1	1	1	
17.	9010-024	Nipple, 3/4 x 2-1/2	1	1	1	
**	18.	2236-1	Manifold Assembly	1	1	
		2920-1	Manifold Assembly			1

PARTS LIST, GAS BOILERS,  
MODELS: CG320 (E), CG325 (E), CG330 (E)

<u>ITEM</u>	<u>PART NO.</u>	<u>DESCRIPTION</u>	<u>CG320</u>	<u>CG325</u>	<u>CG330</u>	
19.	3-122A	Hex Nipple	8	10	8	
**	20.	9-3351-39	Orifice, Natural Gas, #39	8	10	
		9-3351-34	Orifice, Natural Gas, #34			8
		9-3351-52	Orifice, LP Gas, #52	8	10	
		9-3351-50	Orifice, LP Gas, #50			8
**	21.	8-1407	Burner Complete With Bracket	1	1	
		8-1406	Burner	7	9	
		2936-1	Burner			8
		8-1407-1	Burner Complete with Bracket, Electronic Ignition	1	1	
	22.	9035-1	Pipe Plug, 1/8 MPT	1	1	1
	23.	4058-1	Pilot Mounting Bracket			1
**	24.	6-36PB	Pilot Burner, Natural	1	1	1
		6-36PB-1	Pilot Burner, LP	1	1	1
		9-3380	Pilot/Ignitor Natural, Electronic	1	1	1
		9-3380-1	Pilot/Ignitor LP, Electronic Ignition	1	1	1
	25.	6-36TB	Thermocouple	1	1	1
	26.	3-666B	Connector 3/8C x MPT	1	1	1
	27.	3-PG30	Pressure Gauge	1	1	1
	28.	3-696B	Elbow, 3/8 C x 1/4 MPT	1	1	1
	29.	4-WC67	Water Level Control	1	1	1
		Includes the following parts:				
*		8-6023	Float	1	1	1
*		8-6022	Switch	1	1	1
*		8-6020	Round Gasket	1	1	1

PARTS LIST, GAS BOILERS,  
MODELS: CG320 (E), CG325 (E), CG330 (E)

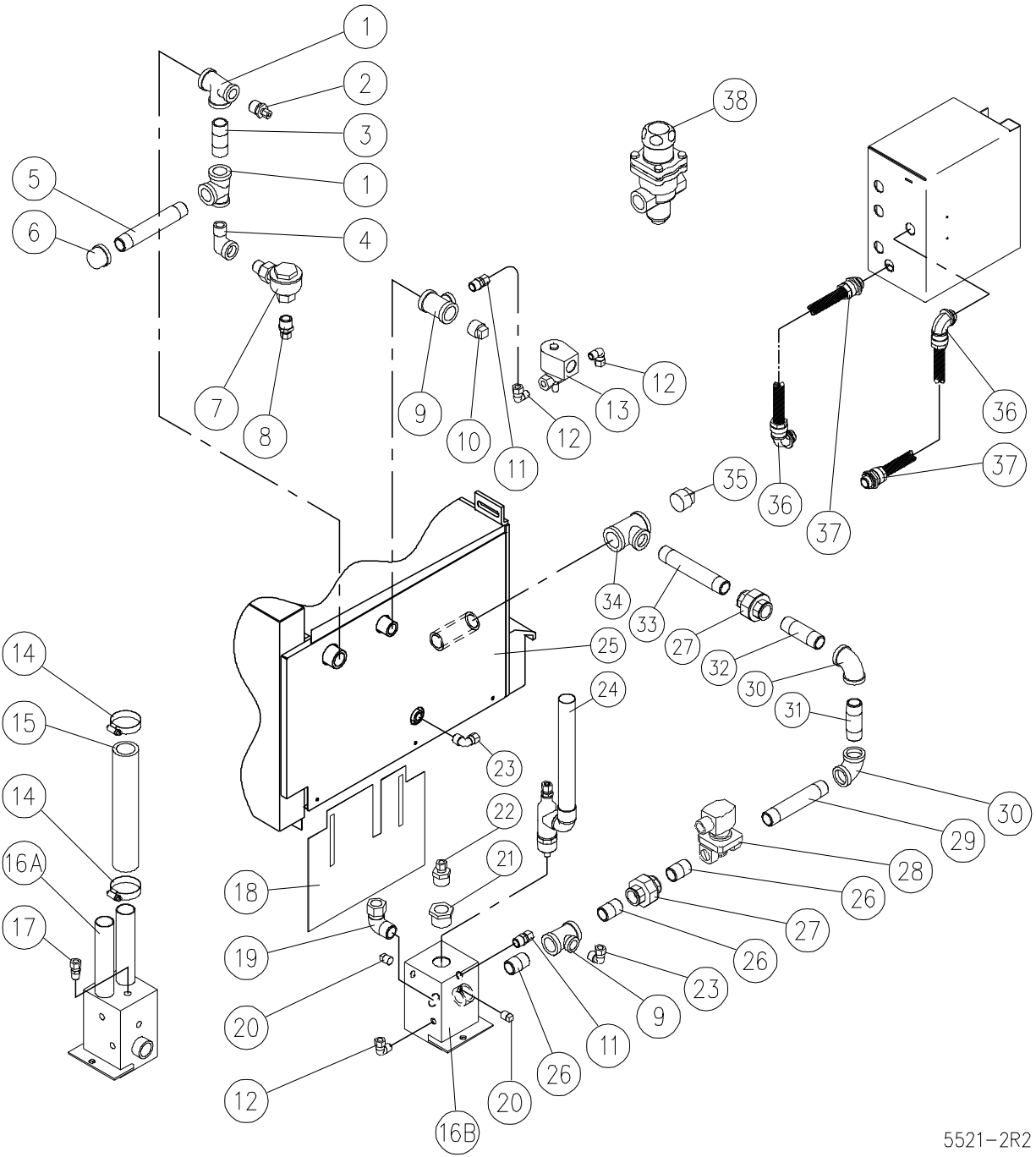
<u>ITEM</u>	<u>PART NO.</u>	<u>DESCRIPTION</u>	<u>CG320</u>	<u>CG325</u>	<u>CG330</u>	
*	8-6021	Square Gasket	1	1	1	
*	8-6026	Blowdown Valve	1	1	1	
30.	3-688C	Connector, 1/2C x 3/8 MPT	1	1	1	
31.	4874-1	High Limit Thermostat, 500°F	1	1	1	
32.	3-708C	Elbow, 1/2C x 3/8 FPT	1	1	1	
33.	9091-000	Close Nipple, 3/8 Brass	1	1	1	
34.	3-110DC	Bushing, 1/2 MPT x 3/8 FPT	1	1	1	
**	35.	9-3111	Burner Box	1	1	
		6827-1	Burner Box			1
36.	5395-1	Water Gauge Valves	1	1	1	
36A.	9108-3	Water Gauge Glass, 5/8 x 5"	1	1	1	
36B.	8-6016	Rod	2	2	2	
*	36C.	8-6018	Rubber Washer	2	2	2
*	36D.	8-6019	Brass Washer	2	2	2
37.	3-X101D	Tee, 1/2 NPT	1	1	1	
38.	9072-000	Close Nipple, 1/2 NPT	1	1	1	
39.	3-104D	Union Coupling, 1/2 NPT	1	1	1	
40.	5663-2	Front Insulation Cover	1	1	1	
41.	9-3113	Right Hand Insulation Cover	1	1	1	
**	42.	5958-1	Pilot Tube, Electronic Ignition	1	1	
		5959-1	Pilot Tube, Electronic Ignition			1
		5960-1	Pilot Tube, Standing Pilot	1	1	
		5961-1	Pilot Tube, Standing Pilot			1

\* NOT SHOWN.

\*\* SELECT AS REQUIRED.

PARTS LIST, GAS BOILERS,  
 MODELS: CG320 (E), CG325 (E), CG330 (E)

**FIGURE 3**



5521-2R2

PARTS LIST, GAS BOILERS,  
MODELS: CG320 (E), CG325 (E), CG330 (E)

**FIGURE 3**

<u>ITEM</u>	<u>PART NO.</u>	<u>DESCRIPTION</u>	<u>CG320</u>	<u>CG325</u>	<u>CG330</u>	
1.	9013-12	Tee, 3/4 x 1/2 x 3/4	2	2	2	
2.	3-684D	Connector, 1/4 C x 1/2 MPT	1	1	1	
3.	9010-024	Nipple, 3/4 x 2-1/2	1	1	1	
4.	9012-3	Street Elbow, 1/2	1	1	1	
5.	9090-060	Nipple, 3/4 x 6	1	1	1	
6.	9067-2	Pipe Cap, 3/4	1	1	1	
7.	9170-1	Steam Trap, 1/2 NPT	1	1	1	
8.	3-686D	Connector, 3/8C x 1/2 MPT	1	1	1	
9.	9013-6	Tee, 3/4 x 3/4 x 3/8	1	1	1	
10.	9035-5	Pipe Plug, 3/4	1	1	1	
11.	3-686C	Connector, 3/8C x 3/8 MPT	2	2	2	
12.	3-696B	Elbow, 3/8C x 1/4 MPT	2	2	2	
13.	3-S263	Override Solenoid	1	1	1	
14.	9017-5	Gear Clamp	4	4	4	
**	15.	9-3296	Drain Hose, 1-1/4 I.D. x 10"	2	2	2
		9-3296-1	Drain Hose, 1-1/4 I.D. x 20"	2	2	2
		9-3296-2	Drain Hose, 1-1/4 I.D x 15"	2	2	2
**	16.	6474-1	Drain (Pressureless)	1	1	1
		6475-1	Drain (Boilers, Cookers)	1	1	1
17.	3-686B	Connector 3/8C x 1/4 MPT	1	1	1	
18.	3943-1	Baffle Plate	1	1		
19.	3-6912E	Elbow, 3/4C x 3/4 MPT	1	1	1	
20.	9035-2	Pipe Plug, 1/4 NPT	1	1	1	



PARTS LIST, GAS BOILERS,  
MODELS: CG320 (E), CG325 (E), CG330 (E)

<u>ITEM</u>	<u>PART NO.</u>	<u>DESCRIPTION</u>	<u>CG320</u>	<u>CG325</u>	<u>CG330</u>	
21.	9033-1	Reducing Bushing, 1 x 3/4 NPT	1	1	1	
22.	3-686E	Connector, 3/8 C x 3/4 MPT	1	1	1	
23.	3-696C	Elbow, 3/8C x 3/8 MPT	1	1	1	
24.	5388-1	Drain (Pressure Cookers)	1	1	1	
25.	9-3114	Left Hand Insulation Cover	1	1	1	
26.	9010-000	Close Nipple, 3/4	3	3	3	
27.	9015-4	Union, 3/4 NPT	2	2	2	
** *	28.	3-BVE0	Ball Valve, 3/4	1	1	1
		3-S567	Solenoid Valve, Optional	1	1	1
29.	9010-044	Nipple 3/4 x 4-1/2"	1	1	1	
30.	9011-4	Elbow, 3/4	2	2	2	
31.	9010-040	Nipple, 3/4 x 4"	1	1	1	
32.	9010-032	Nipple, 3/4 x 3-1/4"	1	1	1	
33.	9010-060	Nipple, 3/4 x 6"	1	1	1	
34.	9013-11	Tee, 1 x 1 x 3/4	1	1	1	
35.	9035-6	Pipe Plug 1"	1	1	1	
36.	9018-1	Liquid Tite Elbow, 3/8"	2	2	2	
37.	9019-1	Liquid Tite Connector, 3/8"	2	2	2	
38.	9361-1	Pressure Regulator	1	1	1	
*	39.	7140-1	Left Hand Side Insulation			1

\* NOT SHOWN.

\*\* SELECT AS REQUIRED.



PARTS LIST, GAS BOILERS,  
MODELS: CG320 (E), CG325 (E), CG330 (E)

**FIGURE 4**

<u>ITEM</u>	<u>PART NO.</u>	<u>DESCRIPTION</u>	<u>CG320</u> <u>CG325</u>	<u>CG330</u>
1.	9339-1	Pressure Switch Assembly with Transducer	2	2
2.	3-724B	Brass Tee, 1/4 C x 1/4 C x 1/4 MPT	1	1
3.	3-694B	Brass Elbow, 90°, 1/4 C x 1/4 MPT	1	1
4.	4-PL04	Pilot Light, Round, Green, 125V	1	1
5.	9110-1	Splash Resistant Toggle Switch	1	1
** 6.	4135-1	Control Box Cover (Electric Ignition)	1	
	4055-1	Control Box Cover (Electric Ignition)		1
	3238-1	Control Box Cover (Standing Pilot)	1	1
7.	M19X-1032-14	Round Hd. Screw, #10-32 UNF x 1/4	4	4
8.	3-696A	Brass Elbow, 90°, 3/8 C x 1/8 MPT	3	3
9.	9308-1	Solenoid Valve, 1/8 NPT, Water Fill	1	1
10.	9310-1	Solenoid Valve, 1/8 NPT, Cooling	1	1
11.	3-686A	Brass Connector, 3/8 C x 1/8 MPT	1	1
12.	M19X-832-14	Round Hd. Screw, #8-32 UNC x 1/4	2	2
13.	9390-2	Terminal Block Assembly, 2 Pole	1	1
		Includes the following parts:		
	9391-2	Modular Terminal	2	2
	9392-1	End Plate	1	1
	9393-1	End Clamp	2	2
	9394-053	Mounting Rail, 53 mm	1	1
14.	M23X-632-14	Binding Hd. Screw, #6-32 UNC x 1/4	2	2
15.	4-TH04	Drain Thermostat	1	1

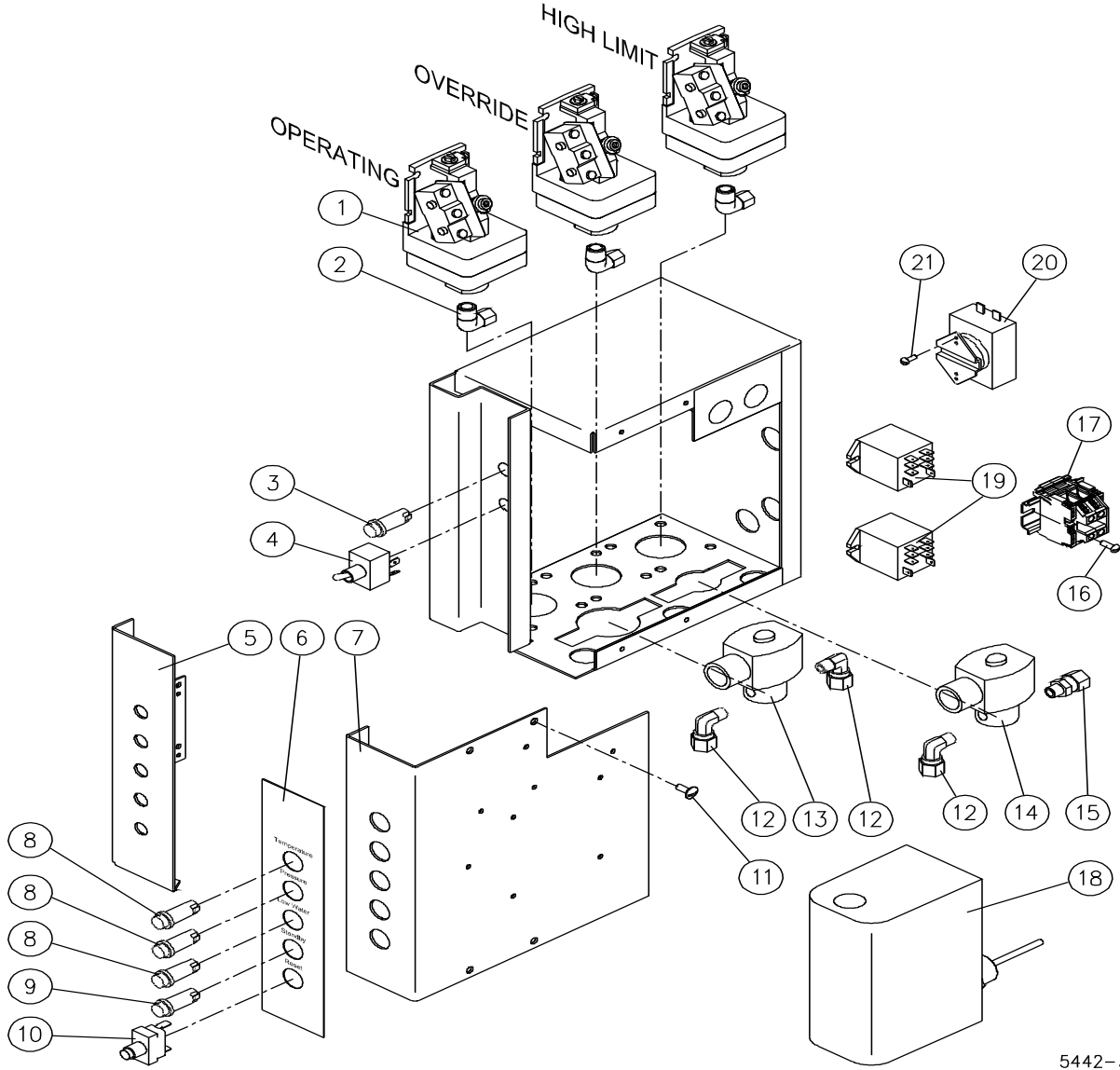
\* NOT SHOWN.

\*\* SELECT AS REQUIRED.

PARTS LIST, GAS BOILERS,  
MODELS: CG320 (E), CG325 (E), CG330 (E)

**FIGURE 5**

**CSD-1 CONTROLS**



5442-3R3

PARTS LIST, GAS BOILERS,  
MODELS: CG320 (E), CG325 (E), CG330 (E)

**FIGURE 5**

<u>ITEM</u>	<u>PART NO.</u>	<u>DESCRIPTION</u>	<u>CG320</u>	<u>CG325</u>	<u>CG330</u>
1.	9339-1	Pressure Switch complete with Transducer	3	3	3
2.	3-694B	Elbow, 1/4 C x 1/4 MPT	3	3	3
3.	4-PL04	Pilot Light - Green, 125V	1	1	1
4.	9110-1	Power Switch	1	1	1
5.	6582-1	Inner Panel	1	1	1
6.	6590-1	Decal	1	1	1
7.	4602-1	Control Box Cover	1	1	
	4055-2	Control Box Cover - CSD			1
8.	4-PL07	Pilot Light - Red, 125V	3	3	3
9.	4-PL06	Pilot Light - Amber, 125V	1	1	1
10.	8-6012	Reset Switch	1	1	1
11.	M19X-1032-14	Round HD Screw	4	4	4
12.	3-696A	Elbow, 3/8C x 1/8 MPT	3	3	3
13.	9308-1	Water Fill Solenoid	1	1	1
14.	9310-1	Cooling Solenoid	1	1	1
15.	3-686A	Connector, 3/8C x 1/8 MPT	1	1	1
16.	M19X-832-14	Terminal Block Screw	2	2	2
17.	9390-2	Terminal Block Assembly, 2 Poles	1	1	1
		Includes the following parts:			
	9391-1	Modular Terminal	2	2	2
	9392-1	End Plate	1	1	1
	9393-1	End Clamp	2	2	2

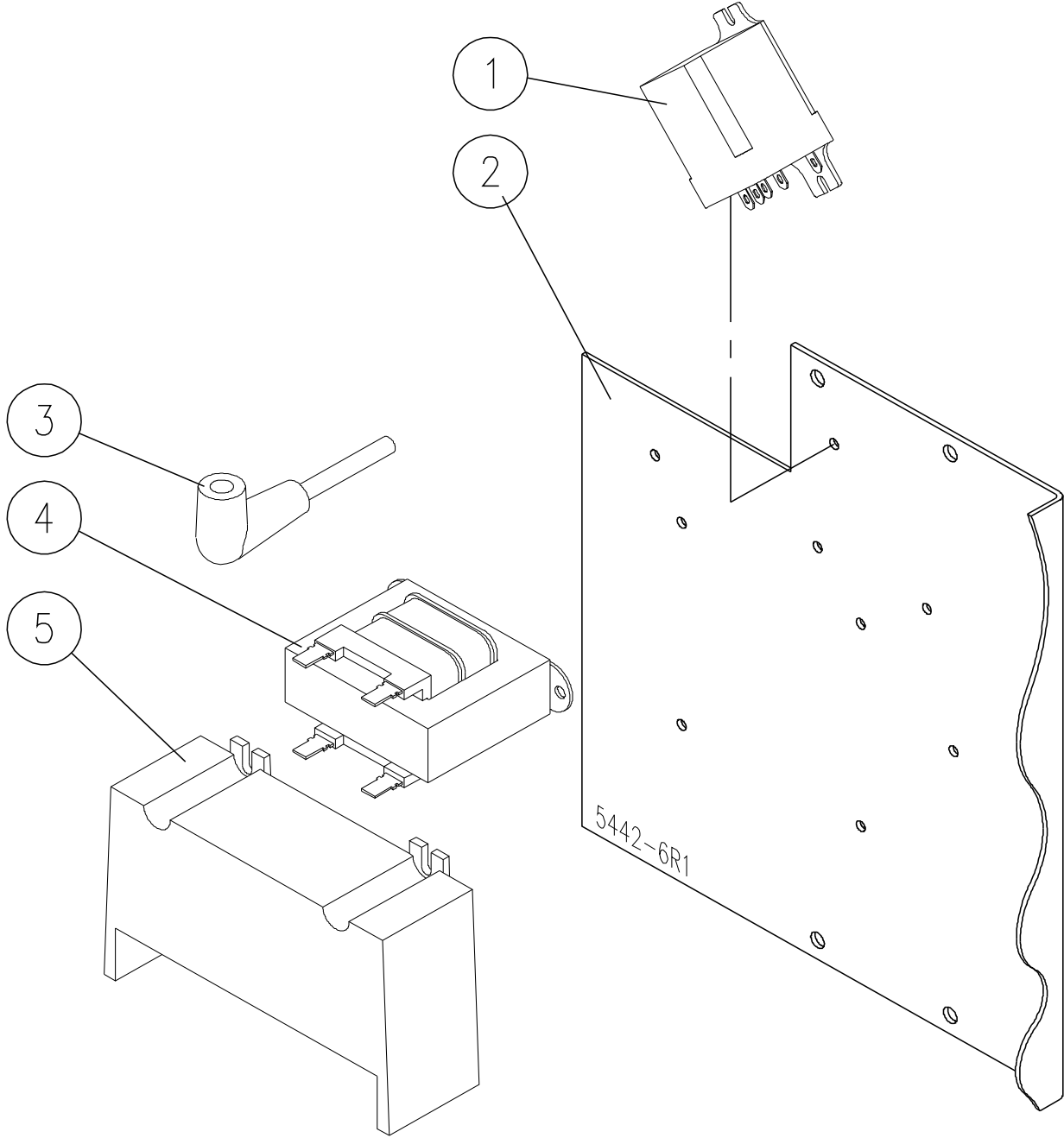
PARTS LIST, GAS BOILERS,  
 MODELS: CG320 (E), CG325 (E), CG330 (E)

<u>ITEM</u>	<u>PART NO.</u>	<u>DESCRIPTION</u>	<u>CG320</u>	<u>CG325</u>	<u>CG330</u>
	9394-053	Mounting Rail, 53 mm	1	1	1
18.	4-WC80	Low Water Cut Off Secondary	1	1	1
		Includes the following parts:			
*	4-WP80	Probe	1	1	1
19.	9332-1	Relay - Double Pole, 120V (Single Pole in Use)	2	2	2
20.	4-TH04	Drain Thermostat	1	1	1
21.	M23X-632-14	Binding HD Screw	2	2	2

PARTS LIST, GAS BOILERS,  
MODELS: CG320 (E), CG325 (E), CG330 (E)

**FIGURE 6**

**ELECTRONIC IGNITION PARTS**



PARTS LIST, GAS BOILERS,  
MODELS: CG320 (E), CG325 (E), CG330 (E)

**FIGURE 6**

<u>ITEM</u>	<u>PART NO.</u>	<u>DESCRIPTION</u>	<u>CG320</u>	<u>CG325</u>	<u>CG330</u>
1.	4-RL55	Relay	1	1	1
** 2.	4135-1	Control Box Cover	1	1	
	4055-1	Control Box Cover			1
	4055-2	Control Box Cover (CSD-1)			1
3.	5169-1	Ignitor Cable	1	1	1
** 4.	9-3383	Transformer, 120-24V, 60 Hz	1	1	1
	9123-1	Transformer, 230-24V, 50/60 Hz	1	1	1
5.	9210-2	Ignition Module	1	1	1

\*\* SELECT AS REQUIRED.





PARTS LIST, GAS BOILERS,  
MODELS: CG320 (E), CG325 (E), CG330 (E)

**FIGURE 7**

<u>ITEM</u>	<u>PART NO.</u>	<u>DESCRIPTION</u>	<u>QUANTITY</u>	
1.	3563-1	Side Panel	2	
2.	3209-1	Left Hand Cabinet Door	1	
3.	3204-1	Right Hand Cabinet Door	1	
4.	5-MC02	Magnet Catch	2	
	M93X-632-14	Catch Screw, 6-32 x 1/4	8	
5.	3-666D	Water Connection	1	
**	6.	2200-1	Flue (GC-2, GCX-2, CG320, CG325)	1
		2200-2	Flue (GC-2L)	1
		2200-3	Flue (GC-3L)	1
		2200-4	Flue (GC-3, GCX-10)	1
**	7.	3226-1	Flue Cover (GDA-2)	1
		3226-2	Flue Cover (GDA-3)	1
		3226-3	Flue Cover (GDA-4)	1
		3226-4	Flue Cover (GC-2L)	1
		3226-5	Flue Cover (GC-3L)	1
		3377-1	Flue Cover (GCX-2)	1
		3938-1	Flue Cover (GCX-10)	1
		3933-1	Flue Cover (GCX-16)	1
		4052-1	Flue Cover (CG-330)	1
		4052-2	Flue Cover (CG-320, CG-325)	1
		4276-1	Flue Cover (GCX-10 - [10])	1
		4276-3	Flue Cover (GCX-2- [10])	1

PARTS LIST, GAS BOILERS,  
MODELS: CG320 (E), CG325 (E), CG330 (E)

<u>ITEM</u>	<u>PART NO.</u>	<u>DESCRIPTION</u>	<u>QUANTITY</u>
	4276-5	Flue Cover (GCX-2- [10] with CG-330)	1
	4276-7	Flue Clover (GCX-10- [10] with CG-330)	1
8.	5379-1	Flanged Foot Leg	4

\*\* SELECT AS REQUIRED.