

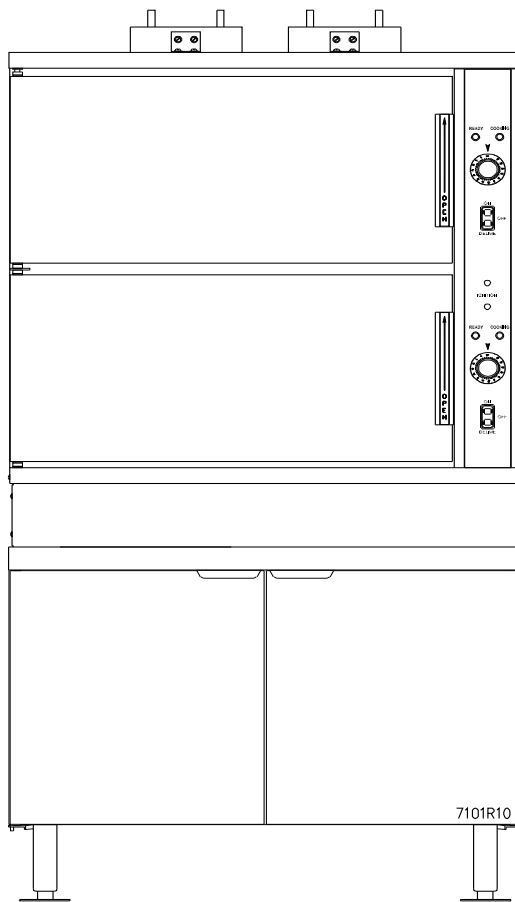


IMPORTANT FOR FUTURE REFERENCE
 Please complete this information and retain this manual for the life of the equipment:

Model #: _____
 Serial #: _____
 Date Purchased: _____

PARTS LIST

; Uj`Hk c`7 ca dUfha Ybh7 cbj YWjcb`GhYUa Yf`cb`7 UV]bYhi6 UgY
 ...; GL!%6<9`



⚠ WARNING

Improper installation, adjustment, alteration, service or maintenance can cause property damage, injury or death. Read the installation, operating and maintenance instructions thoroughly before installing or servicing this equipment.

CROWN FOOD SERVICE EQUIPMENT

A Middleby Company

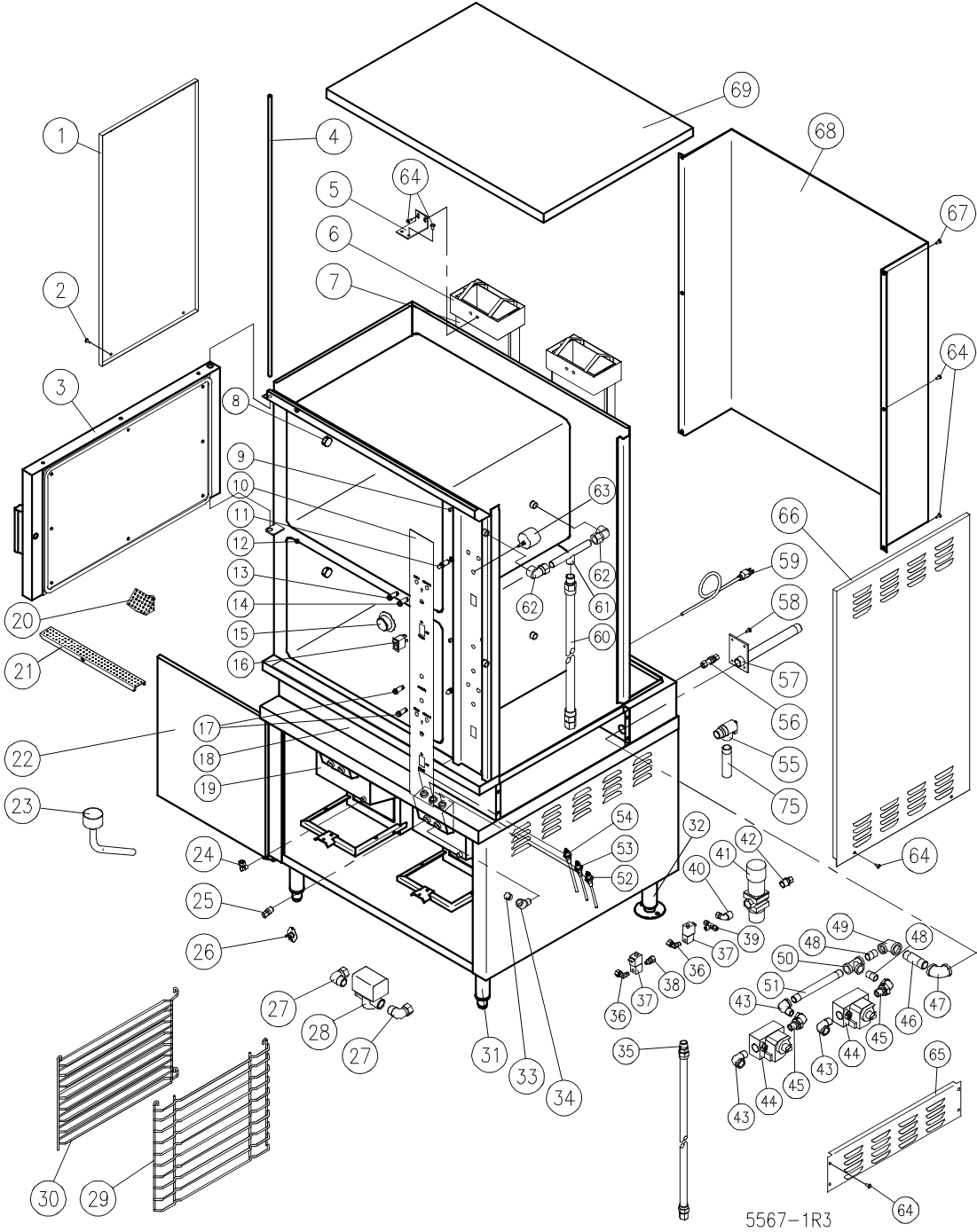
70 Oakdale Road, Downsview (Toronto) Ontario, Canada, M3N 1V9
 Telephone: 919-762-1000 www.crownsteamgroup.com

Printed in Canada



PARTS LIST, PRESSURELESS COOKER, MODEL GSX-16HE

FIGURE 1



PARTS LIST, PRESSURELESS COOKER, MODEL GSX-16HE

FIGURE 1

<u>ITEM</u>	<u>PART NO.</u>	<u>DESCRIPTION</u>	<u>QUANTITY</u>
1	7159-2	Left Hand Side Panel	1
2	1-34S8	Screw, 10 - 32 x 1", Stainless Steel	14
3	4251-1	Door Assembly	2
4	4247-1	Hinge Rod	1
5	5116-1	Flue Support	2
6	6714-1	Flue Top	2
7	1344-3	Flue	2
8	5281-1	Steam Diverters	8
9	9-3336	Door Actuator Pin Complete With Clip	2
	9-3213	Door Switch	2
10	7264-1	Decal, Control Panel	1
11	8-5021	Striker (3498)	2
	8-5022	Washer Stainless Steel	2
	1-90S0	Lock Washer	2
	1-99S0	Nut	2
12	4721-1	Rack Hanger Assembly	8
13	4-PL04	Pilot Light - Green	2
14	4-PL07	Pilot Light - Red	2
**	4104-1	Dial, 60 Minutes, 60 Hz	2
	4103-1	Dial, 60 Minutes, 50 Hz	2
16	9124-2	Switch, 120V	2
17	4-PL04-2	Pilot Light, Green (28V)	2
18	2833-1	Front Riser	1
19	0672-2	Generator Tank	2

PARTS LIST, PRESSURELESS COOKER, MODEL GSX-16HE

<u>ITEM</u>	<u>PART NO.</u>	<u>DESCRIPTION</u>	<u>QUANTITY</u>	
	20	5224-2	Compartment Strainer	2
	21	8-5023-6	Perforated Trough	1
**	22	8-1303	Cabinet Door Assembly, Right Hand	1
		8-1304	Cabinet Door Assembly, Left Hand	1
	23	5288-1	Delime Funnel	1
	24	3-696A	Elbow, 3/8" C x 1/8" MPT	2
	25	2-686C	Thermostat Fitting	2
	26	4874-3	High Limit Sensor	2
	27	3-6912E	Elbow - Blowdown, 3/4" C x 3/4" MPT	4
	28	3-S543	Blowdown Valve, 3/4" FPT	2
**	29	2681-2	Pan Rack	4
		7848-1	18" x 24" Pan Rack (Optional)	4
	30	2667-1	Centre Pan Support	2
	31	5380-1	Bullet Leg Assembly, 6"	2
	32	5379-1	Flanged Leg Assembly, 6"	2
	33	3-121C	Brass Plug, 3/8" MPT	2
	34	3-124C	45° Brass Street Elbow 3/8" MPT	2
	35	9026-24	Gas Flex Tube, 1/2" x 24" (Left Hand)	1
		9026-18	Gas Flex Tube, 1/2" x 18" (Right Hand)	1
	36	3-696A	Elbow, 3/8 c x 1/8 MPT	2
	37	5162-1	Fill Solenoid	2
	38	3-686A	Connector, 3/8" C x 1/8" MPT	1
	39	3-726A	Tee, 3/8 C x 1/8 MPT	1
	40	3-696D	Elbow, 3/8" C x 1/2" MPT	1
	41	5444-1	Thermostatic Cooling Valve	1
*	41	5376-1	Cooling Valve Bracket	1

PARTS LIST, PRESSURELESS COOKER, MODEL GSX-16HE

<u>ITEM</u>	<u>PART NO.</u>	<u>DESCRIPTION</u>	<u>QUANTITY</u>	
	42	3-686D	Connector, 3/8 C x 1/2 MPT	1
	43	9012-3	Street Elbow, 1/2"	3
**	44	5450-1	Combination Control, Natural Gas	2
		5450-2	Combination Control, LP	2
	45	3-U4BE	Union Elbow, 1/2"	2
	46	9010-030	Pipe, 3/4" x 3"	1
	47	9012-4	Street Elbow, 3/4"	1
	48	9009-000	Close Nipple, 1/2"	2
	49	9014-1	Reducing Elbow, 1/2" x 3/4"	1
	50	9013-3	Tee, 1/2"	1
	51	9009-076	Nipple, 1/2" x 7-3/4"	1
	52	3738-12	Probe, 3 Inches	2
	53	3738-11	Probe, 2-1/2 Inches	2
	54	3738-10	Probe, 2 Inches	2
	55	5286-1	Relief Valve, 5 PSI	2
	56	3-776	Bulk Head, 3/8"C, Water Fill	2
	57	5233-1	Gas Supply Pipe, 3/4" x 9 - 13/16"	1
	58	1-33C4	Screw, 10 - 32 x 1/2" Plated	4
	59	4127-3	Cord Set, 120V	1
**	60	9083-36	Bottom, Flex Steam Tube, 36"	2
		9083-48	Top, Flex Steam Tube, 48"	2
	61	5282-1	Steam Manifold	4
	62	3-7012E	Elbow, 3/4" C x 3/4" FPT	8
**	63	4-T210	Timer, 60 Minutes	2
	64	1-34S4	Screw, 10 - 32 x 1/2" Stainless Steel	28
	65	2835-1	Side Riser Panel	2

PARTS LIST, PRESSURELESS COOKER, MODEL GSX-16HE

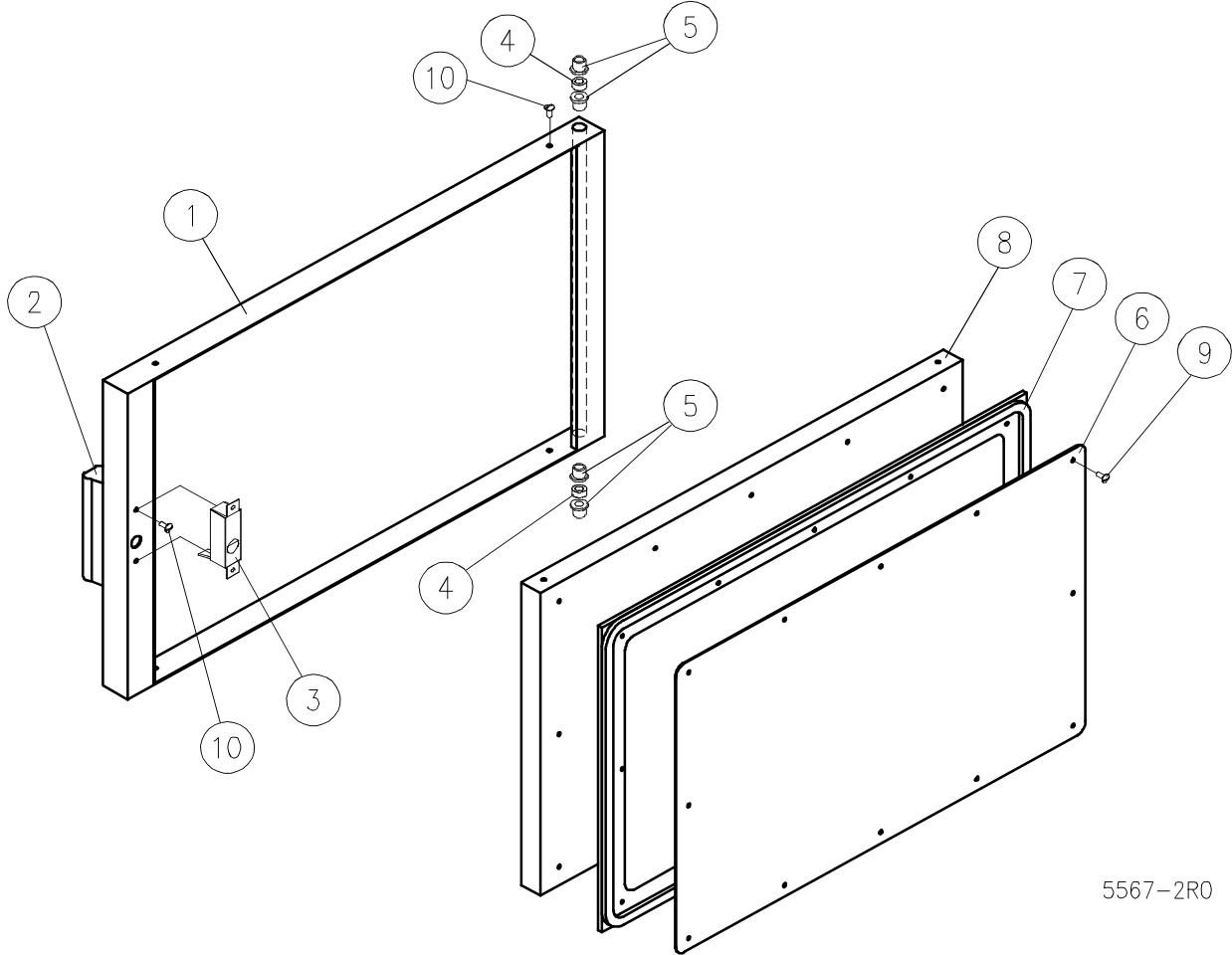
<u>ITEM</u>	<u>PART NO.</u>	<u>DESCRIPTION</u>	<u>QUANTITY</u>	
66	8-5102-6	Right Hand Side Panel	1	
67	1-53S4	Screw, 1/4 - 20 x 1/2" Stainless Steel	2	
68	3933-1	Flue Cover	1	
69	8-5108-6	Top Panel	1	
*	70	7156-1	Drain Box Assembly	1
*		3-6812E	Connector - Drain, 3/4C" x 3/4" MPT	4
		3-U6BE	Union Elbow, 3/4" - Drain	2
		3-686D	Connector, 3/8" C x 1/2" MPT	1
*	71	5299-2	High Limit Sensor Cover	1
* **	72	5381-1	Swivel 5" Caster Complete With Brake, Optional	2
* **	73	5382-1	Swivel 5" Caster, Optional	2
*	74	3-TS01	Thermal Switch (Inside Compartment)	2
	75	5784-1	Relief Valve Extension	2

* NOT SHOWN.

** SELECT AS REQUIRED.

PARTS LIST, PRESSURELESS COOKER, MODEL GSX-16HE

FIGURE 2



5567-2R0

PARTS LIST, PRESSURELESS COOKER, MODEL GSX-16HE

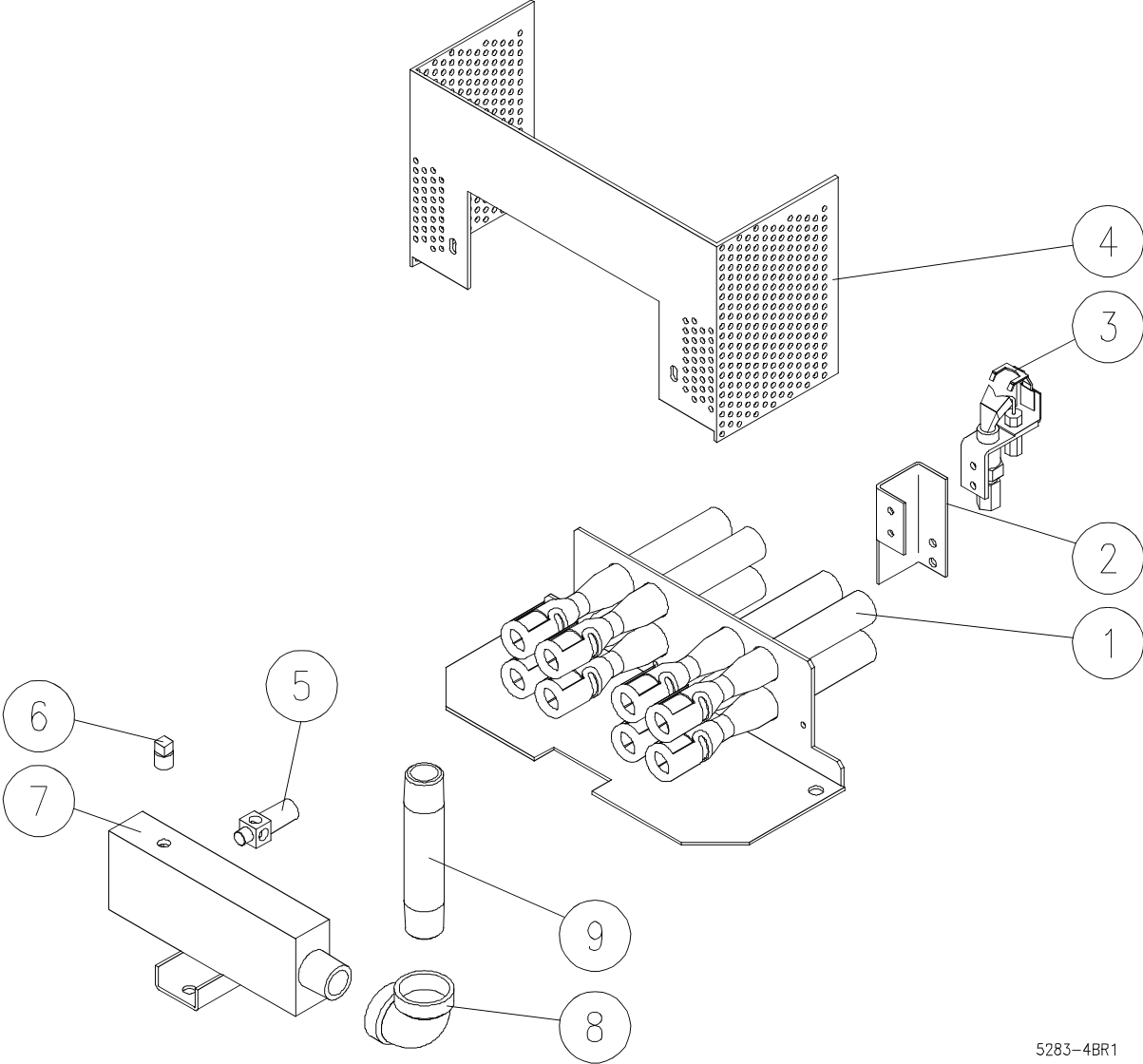
FIGURE 2

<u>ITEM</u>	<u>PART NO.</u>	<u>DESCRIPTION</u>	<u>QUANTITY</u>
1	3103-1	Door Frame	1
2	3903-2	Door Handle Assembly	1
*	3646-1	Decal	1
3	8-5068-9	Latch Assembly (3900)	1
4	4249-1	Spacer - Top Door, Stainless Steel	2
	4250-1	Spacer, Lower Door, Stainless Steel	2
5	4248-1	Door Bushing	4
6	2805-1	Gasket Retaining Plate	1
7	8-5063-6	Gasket	1
8	2804-1	Door Panel, Inner	1
9	9-1011-1	Screw 10 - 32 x 1/2"	12
10	1-34S4	Screw 10 - 32 x 1/2"	6

* NOT SHOWN.

PARTS LIST, PRESSURELESS COOKER, MODEL GSX-16HE

FIGURE 3



5283-4BR1

PARTS LIST, PRESSURELESS COOKER, MODEL GSX-16HE

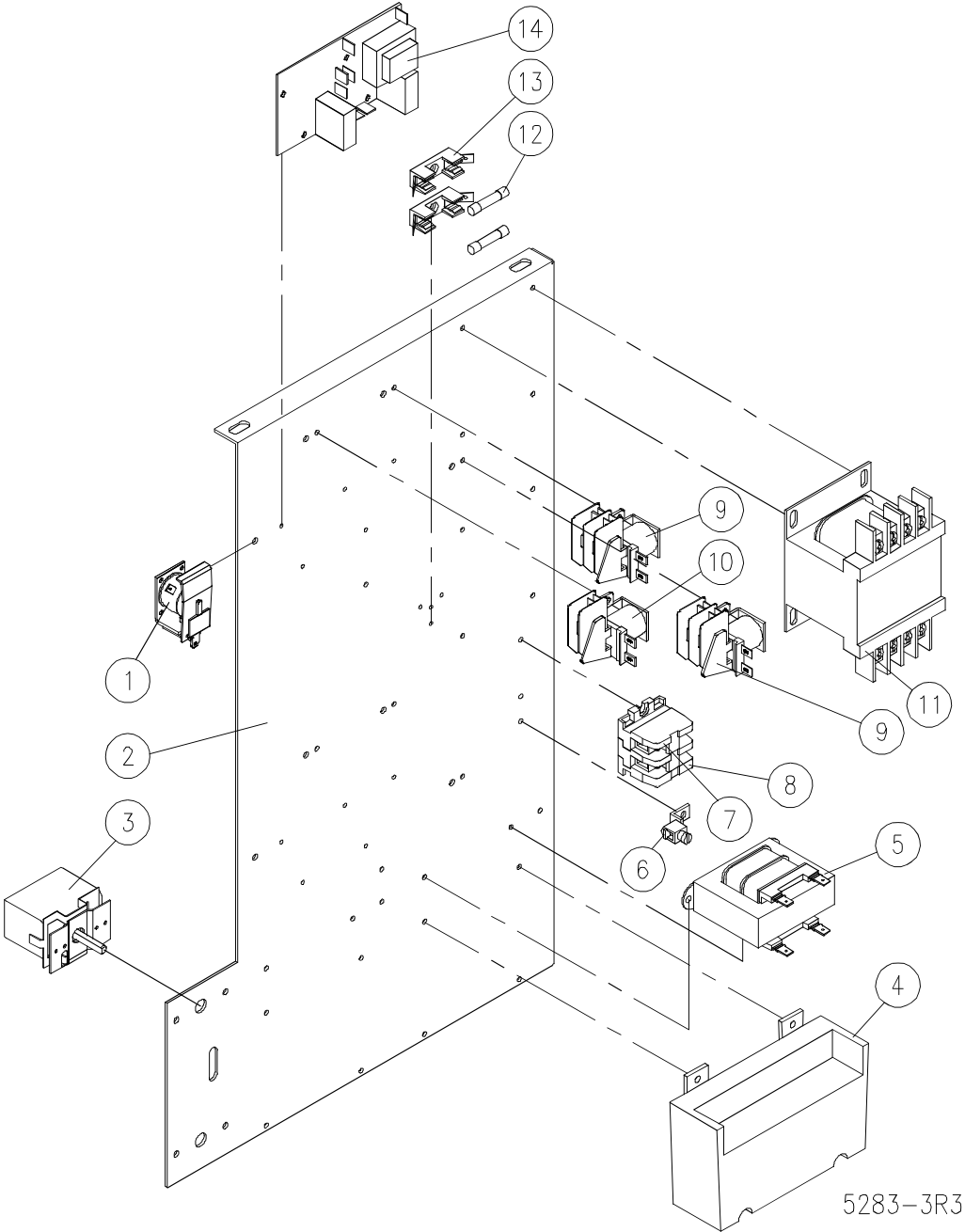
BURNER PARTS

<u>ITEM</u>	<u>PART NO.</u>	<u>DESCRIPTION</u>	<u>QUANTITY</u>
1	7283-1	Burner Bracket Assembly	2
2	5861-1	Bracket, Pilot Assembly	2
** 3	5171-024	Pilot Burner, Natural Gas	2
	5171-016	Pilot Burner, Propane Gas	2
4	5593-1	Burner Cover	2
5	4951-52	Orifice Jet, Natural Gas, #52	16
	4951-61	Orifice Jet, Propane Gas, #61	16
6	3-109C	Square Head Pipe Plug, 1/8" MPT	2
7	7280-1	Manifold Assembly	2
8	9011-3	Elbow, 1/2 NPT	2
9	9009-050	Nipple, 1/2 NPT x 5 LG.	2

** SELECT AS REQUIRED.

PARTS LIST, PRESSURELESS COOKER, MODEL GSX-16HE

FIGURE 4



PARTS LIST, PRESSURELESS COOKER, MODEL GSX-16HE

FIGURE 4

<u>ITEM</u>	<u>PART NO.</u>	<u>DESCRIPTION</u>	<u>QUANTITY</u>	
1	3821-1	Buzzer, 120V	2	
2	7926-1	Component Mounting Board	1	
3	9126-1	Operating Thermostat	2	
4	9210-2	Ignition Module, Intermittent Pilot	1	
5	9-3383	Transformer, 115/230V - 24V CT	2	
6	4-35EU	Ground Lug	1	
7	4-22TB	Terminal Block	2	
8	4-22ES	Terminal Block End Section	1	
9	9-3175-1	Relay, SPDT, 120V	4	
10	9-3174-1	Relay, DPDT, 120V	2	
11	4-T265	Transformer, 240/480V - 120V, 50/60 Hz	2	
**	12	9092-2	Glass Fuse, 2 AMP, 120V	2
		9092-1	Glass Fuse, 1 AMP, 208-240V	2
	13	9068-1	Fuse Holder	2
**	14	4038-4	Level Control Board, 10K OHM, 120V	2
		5230-1	Level Control Board, 1 M OHM, 208-240V	4

* NOT SHOWN.

** SELECT AS REQUIRED.