



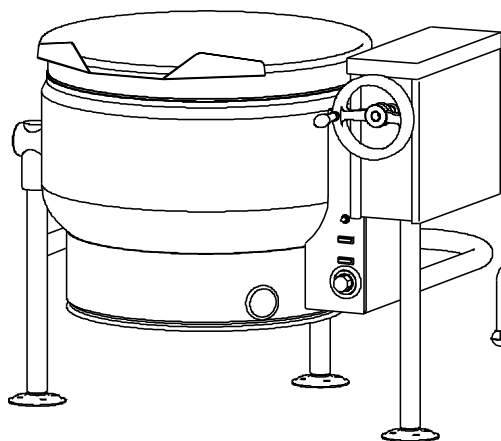
IMPORTANT FOR FUTURE REFERENCE
Please complete this information and retain this manual for the life of the equipment:

Model #: _____
Serial #: _____
Date Purchased: _____

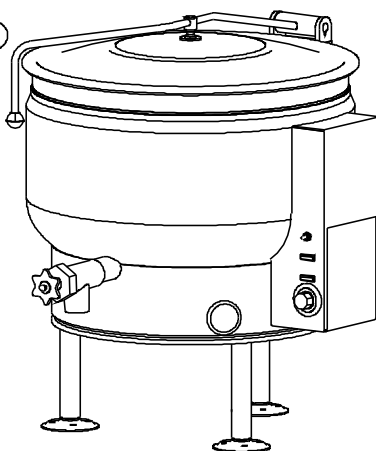
PARTS LIST

Self Generating Steam Full Jacket Kettles

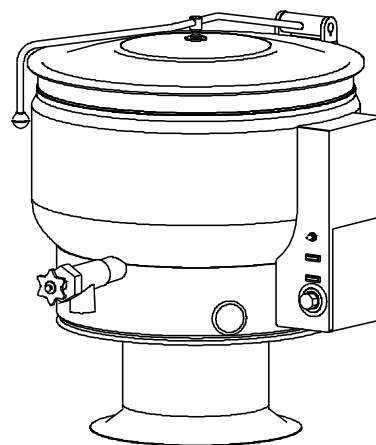
ELT-F EL-F EP-F



ELT-F



EL-F



EP-F



WARNING

Improper installation, adjustment, alteration, service or maintenance can cause property damage, injury or death. Read the installation, operating and maintenance instructions thoroughly before installing or servicing this equipment.

CROWN FOOD SERVICE EQUIPMENT

 A Middleby Company

70 Oakdale Road, Downsview (Toronto) Ontario, Canada, M3N 1V9

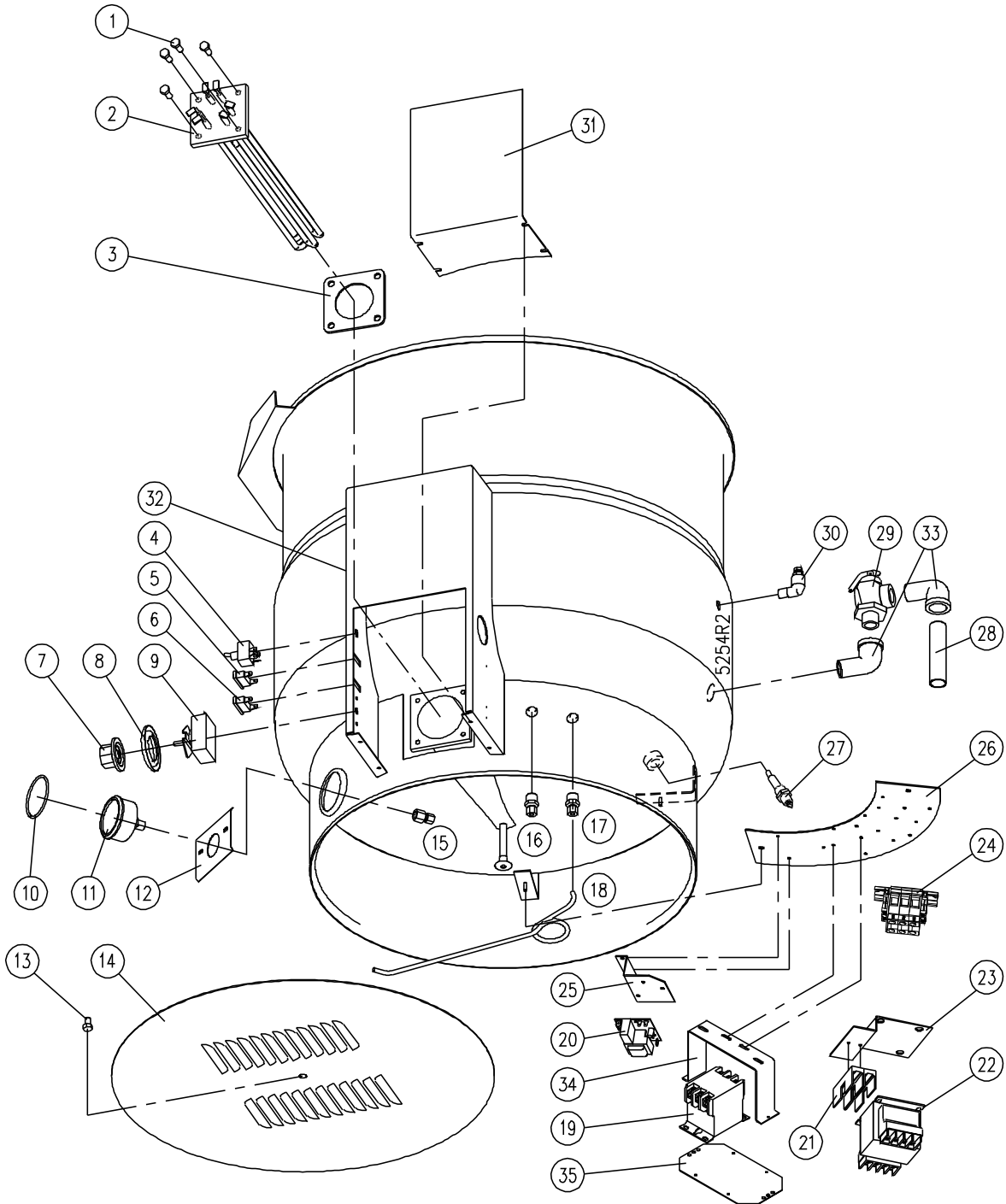
Telephone: 919-762-1000 www.crownsteamgroup.com

Printed in Canada



PARTS LIST, SELF-GENERATING STEAM FULL JACKET KETTLES,
MODELS: ELT-F, EL-F, EP-F

FIGURE 1



PARTS LIST, SELF-GENERATING STEAM FULL JACKET KETTLES,
 MODELS: ELT-F, EL-F, EP-F

FIGURE 1

| <u>ITEM</u> | <u>PART NO.</u> | <u>DESCRIPTION</u> | <u>QUANTITY</u> | | | | |
|-------------|-----------------|----------------------------------|-----------------------------------|-----------|-----------|-----------|---|
| | | | <u>20</u> | <u>30</u> | <u>40</u> | <u>60</u> | |
| 1. | 1-66S6 | Hex Bolt, 5/16 - 18 x 3/4 Inches | 4 | 4 | 4 | 4 | |
| ** | 2. | 7-5027 | Element Assembly, 208V, 18 kW | 1 | 1 | 1 | |
| | | 7-5028 | Element Assembly, 220/380V, 18 kW | 1 | 1 | 1 | |
| | | 7-5029 | Element Assembly, 240/416V, 18 kW | 1 | 1 | 1 | |
| | | 7-5030 | Element Assembly, 480V, 18 kW | 1 | 1 | 1 | |
| | | 9-3298 | Element Assembly, 600V, 18 kW | 1 | 1 | 1 | |
| | | 7-5031 | Element Assembly, 208V, 24 kW | 1 | 1 | 1 | 1 |
| | | 7-5037 | Element Assembly, 220/380V, 24 kW | 1 | 1 | 1 | 1 |
| | | 7-5032 | Element Assembly, 240/416V, 24 kW | 1 | 1 | 1 | 1 |
| | | 7-5033 | Element Assembly, 480V, 24 kW | 1 | 1 | 1 | 1 |
| | | 9-3299 | Element Assembly, 600V, 24 kW | 1 | 1 | 1 | 1 |
| | | 7-5034 | Element Assembly, 208V, 33 kW | | 1 | 1 | 1 |
| | | 7-5038 | Element Assembly, 220/380V, 33 kW | | 1 | 1 | 1 |
| | | 7-5035 | Element Assembly, 240/416V, 33 kW | | 1 | 1 | 1 |
| | | 7-5036 | Element Assembly, 480V, 33 kW | | 1 | 1 | 1 |
| | | 2348-2 | Element Assembly, 600V, 33 kW | | 1 | 1 | 1 |
| | 3. | 5986-1 | Element Gasket | 1 | 1 | 1 | 1 |
| | 4. | 9110-1 | Power Switch | 1 | 1 | 1 | 1 |
| | 5. | 4996-5 | Pilot Light - Amber, Low Water | 1 | 1 | 1 | 1 |
| | 6. | 4996-5 | Pilot Light - Amber, Temperature | 1 | 1 | 1 | 1 |
| ** | 7. | 6311-1 | Knob Assembly (1-10) | 1 | 1 | 1 | 1 |
| | | 5975-2 | Knob Assembly (°F) | 1 | 1 | 1 | 1 |
| | | 5976-2 | Knob Assembly (°C) | 1 | 1 | 1 | 1 |
| | 8. | 4-TB05 | Bezel | 1 | 1 | 1 | 1 |
| | 9. | 9126-1 | Thermostat | 1 | 1 | 1 | 1 |
| | 10. | 2-230R | "O" Ring | 1 | 1 | 1 | 1 |
| | 11. | 4967-1 | Pressure Gauge | 1 | 1 | 1 | 1 |

PARTS LIST, SELF-GENERATING STEAM FULL JACKET KETTLES,
MODELS: ELT-F, EL-F, EP-F

| <u>ITEM</u> | <u>PART NO.</u> | <u>DESCRIPTION</u> | <u>QUANTITY</u> | | | |
|-------------|-----------------|--------------------------------------|-----------------|-----------|-----------|-----------|
| | | | <u>20</u> | <u>30</u> | <u>40</u> | <u>60</u> |
| 12. | 8-3097 | Pressure Gauge Mounting Plate | 1 | 1 | 1 | 1 |
| 13. | 1-66S4 | Hex Bolt, 5/16 - 18 x 1/2" | 1 | 1 | 1 | 1 |
| ** 14. | 3041-9 | Bottom Cover, ELT-20F | 1 | | | |
| | 3041-10 | Bottom Cover, ELT-30F | | 1 | | |
| | 3041-11 | Bottom Cover, ELT-40F | | | 1 | |
| | 3041-12 | Bottom Cover, ELT-60F | | | | 1 |
| | 3041-3 | Bottom Cover, EL-20F | 1 | | | |
| | 3041-4 | Bottom Cover, EL-30F | | 1 | | |
| | 3041-5 | Bottom Cover, EL-40F | | | 1 | |
| | 3041-6 | Bottom Cover, EL-60F | | | | 1 |
| | 7139-3 | Bottom Cover, EP-20F | 1 | | | |
| | 7139-4 | Bottom Cover, EP-30F | | 1 | | |
| | 7139-5 | Bottom Cover, EP-40F | | | 1 | |
| | 7139-6 | Bottom Cover, EP-60F | | | | 1 |
| 15. | 3-664B | Connector, 1/4 cc x 1/4 FPT | 1 | 1 | 1 | 1 |
| 16. | 2-686C | Connector, Thermostat | 1 | 1 | 1 | 1 |
| 17. | 3-684C | Connector, 1/4 cc x 3/8 MPT | 1 | 1 | 1 | 1 |
| 18. | 5514-2 | Copper Tube, 1/4 x 28", 20 Gallon | 1 | | | |
| | 5514-3 | Copper Tube, 1/4 x 29", 30 Gallon | | 1 | | |
| | 5514-4 | Copper Tube, 1/4 x 33", 40 Gallon | | | 1 | |
| | 5514-5 | Copper Tube, 1/4 x 35", 60 Gallon | | | | 1 |
| ** 19. | 9348-208 | Contactora, 208 - 240V, 18 kW, 24 kW | 2 | 2 | 2 | 2 |
| | 9348-208 | Contactora, 380 - 600V, 18 kW, 24 kW | 1 | 1 | 1 | 1 |
| | 9349-208 | Contactora, 208 - 240V, 33 kW | | 2 | 2 | 2 |
| | 9349-208 | Contactora, 380 - 600V, 33 kW | | 1 | 1 | 1 |
| 20. | 3974-2 | Low Water Cut Off | 1 | 1 | 1 | 1 |
| ** 21. | 9002-1 | Fuse Holder, 380 - 600V | 2 | 2 | 2 | 2 |
| | 9001-2 | Fuse, 1/2 Amp., 380V - 600V | 2 | 2 | 2 | 2 |

PARTS LIST, SELF-GENERATING STEAM FULL JACKET KETTLES,
 MODELS: ELT-F, EL-F, EP-F

| <u>ITEM</u> | <u>PART NO.</u> | <u>DESCRIPTION</u> | <u>QUANTITY</u> | | | |
|-------------|-----------------|---|-----------------|-----------|-----------|-----------|
| | | | <u>20</u> | <u>30</u> | <u>40</u> | <u>60</u> |
| | 9092-3 | Glass Fuse, 3A, 208-240V | 2 | 2 | 2 | 2 |
| | 9068-1 | Fuse Holder, 208-240V | 2 | 2 | 2 | 2 |
| ** | 21. | 9092-3 Glass Fuse, Fuse 3A, 380/220V & 415/240V | 1 | 1 | 1 | 1 |
| | 9068-1 | Fuse Holder, 380/220V & 415/240V | 1 | 1 | 1 | 1 |
| ** | 22. | 4-T251 Transformer, 380-220, 50/60 Hz, 100VA | 1 | 1 | 1 | 1 |
| | 4-T251 | Transformer, 415-220, 50/60 Hz, 100VA | 1 | 1 | 1 | 1 |
| | 4-T255 | Transformer, 480-240, 50/60 Hz, 100VA | 1 | 1 | 1 | 1 |
| | 4-T260 | Transformer, 600-240, 60 Hz, 100VA | 1 | 1 | 1 | 1 |
| | 23. | 5164-1 Transformer Fuse Block Mounting Bracket | 1 | 1 | 1 | 1 |
| ** | 24. | 6161-3 Modular Terminal Assembly, 3 Pole Includes Following Parts: | 1 | 1 | 1 | 1 |
| | 9374-1 | Modular Terminal, Grey | 3 | 3 | 3 | 3 |
| | 9375-1 | End Plate | 1 | 1 | 1 | 1 |
| | 9369-1 | End Clamp | 2 | 2 | 2 | 2 |
| | 9368-079 | Mounting Rail, 79 mm | 1 | 1 | 1 | 1 |
| | 6161-4N | Modular Terminal Assembly , 4 Pole Includes Following Parts: | 1 | 1 | 1 | 1 |
| | 9374-1 | Modular Terminal, Grey | 3 | 3 | 3 | 3 |
| | 9374-2 | Modular Terminal, Blue | 1 | 1 | 1 | 1 |
| | 9375-1 | End Plate | 1 | 1 | 1 | 1 |
| | 9369-1 | End Clamp | 2 | 2 | 2 | 2 |
| | 9368-098 | Mounting Rail, 98 mm | 1 | 1 | 1 | 1 |
| | 25. | 5885-1 Bracket, Level Control | 1 | 1 | 1 | 1 |
| ** | 26. | 8-2072 Component Mounting Plate | 1 | | | |
| | 8-2073 | Component Mounting Plate | | 1 | | |

PARTS LIST, SELF-GENERATING STEAM FULL JACKET KETTLES,
MODELS: ELT-F, EL-F, EP-F

| <u>ITEM</u> | <u>PART NO.</u> | <u>DESCRIPTION</u> | <u>QUANTITY</u> | | | | |
|-------------|-----------------|-----------------------------|---------------------------------------|-----------|-----------|-----------|---|
| | | | <u>20</u> | <u>30</u> | <u>40</u> | <u>60</u> | |
| | 8-2074 | Component Mounting Plate | | | 1 | 1 | |
| 27. | 4-LLP1 | Probe, 2-1/16 Lg. | 1 | 1 | 1 | 1 | |
| 28. | 5184-1 | Extension, Relief Valve | 1 | 1 | 1 | 1 | |
| 29. | 3-SRV9-1 | Safety Relief Valve, 50 psi | 1 | 1 | 1 | 1 | |
| 30. | 3-AV01 | Air Vent Assembly | 1 | 1 | 1 | 1 | |
| ** | 31. | 8-3030-2 | Control Box Cover (6880-3), 20 Gallon | 1 | | | |
| | | 8-3030-3 | Control Box Cover (6880-4), 30 Gallon | | 1 | | |
| | | 8-3030-4 | Control Box Cover (6880-5), 40 Gallon | | | 1 | |
| | | 8-3030-5 | Control Box Cover (6880-6), 60 Gallon | | | | 1 |
| * | 32. | 6561-4 | Control Panel Decal | 1 | | | |
| | | 6561-5 | Control Panel Decal | | 1 | | |
| | | 6561-6 | Control Panel Decal | | | 1 | |
| | | 6561-7 | Control Panel Decal | | | | 1 |
| | 33. | 9012-4P | Street Elbow 90°, 3/4 NPT | 2 | 2 | 2 | 2 |
| | 34. | 8234-1 | Contactoer Bracket | 1 | 1 | 1 | 1 |
| | 35. | 6042-1 | Contactoer Plate | 1 | 1 | 1 | 1 |

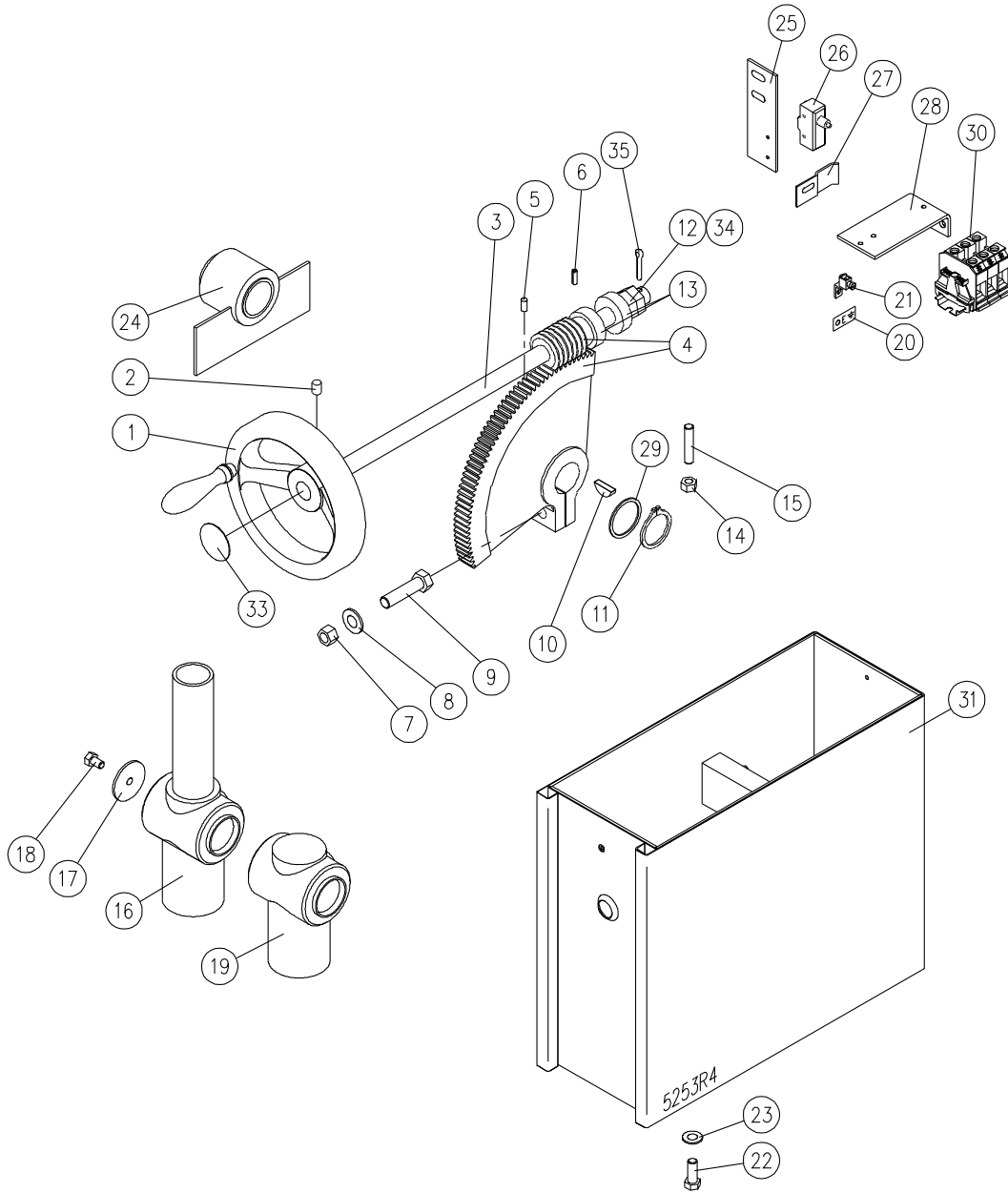
* NOT SHOWN.

** SELECT AS REQUIRED.

PARTS LIST, SELF-GENERATING STEAM FULL JACKET KETTLES,
MODELS: ELT-F, EL-F, EP-F

TILT CONSOLE PARTS

FIGURE 2



PARTS LIST, SELF-GENERATING STEAM FULL JACKET KETTLES,
MODELS: ELT-F, EL-F, EP-F

FIGURE 2

| <u>ITEM</u> | <u>PART NUMBER</u> | <u>DESCRIPTION</u> | <u>QUANTITY</u> |
|-------------|--------------------|---|-----------------|
| 1. | 8-2054 | Hand Wheel | 1 |
| 2. | 1-72U4 | Set Screw 3/8 -16 x 1/2" | 1 |
| 3. | 6738-2 | Tilt Shaft | 1 |
| 4. | 5393-1 | Segment Gear & Worm Gear Kit (Includes items 5 to 11) | 1 |
| 5. | 1-52U4 | Set Screw, 1/4 - 20 x 1/2" | 1 |
| 6. | 2-T6U5 | Tension Pin, 3/16" Diameter x 1-1/4" Length | 1 |
| 7. | 1-99C0 | Nut, 1/2 - 13 | 1 |
| 8. | 1-W4C0 | Lock Washer, 1/2" | 1 |
| 9. | 2-96C8 | Bolt, 1/2 - 13 x 2" | 1 |
| 10. | 1-K8U8 | Key Woodruff | 1 |
| 11. | 1-R315 | Retaining Ring | 1 |
| 12. | 2-HN66 | Jam Nut | 2 |
| 13. | 5327-1 | Thrust Bearing | 2 |
| 14. | 1-79C0 | Nut, 3/8 - 16 | 1 |
| 15. | 2-72U7 | Set Screw, 3/8 - 16 x 1-3/4" | 1 |
| 16. | 8-2085EE | Outbore Bearing complete with extension - used on spring assist covers only - specify model. | 1 |
| 17. | 9-3197 | Stainless Steel Washer | 1 |
| 18. | 9-3198 | Bolt | 1 |
| 19. | 8-2085E | Outbore Bearing | 1 |
| 20. | 9-3104 | Ground ID Tag | 1 |
| 21. | 4-70EU | Ground Lug | 1 |

PARTS LIST, SELF-GENERATING STEAM FULL JACKET KETTLES,
 MODELS: ELT-F, EL-F, EP-F

FIGURE 2

| <u>ITEM</u> | <u>PART NUMBER</u> | <u>DESCRIPTION</u> | <u>QUANTITY</u> |
|--------------------|-------------------------------|--------------------------------------|------------------------|
| 22. | 1-75C8 | Bolt 3/8-16 x 1" | 4 |
| 23. | 1-70C0 | Lock Washer 3/8" | 4 |
| 24. | 8-2090 | Block Bearing | 1 |
| 25. | 4653-1 | Micro Switch Bracket | 1 |
| 26. | 4-M605 | Micro Switch | 1 |
| 27. | 4359-1 | Micro Switch Activator Bracket | 1 |
| 28. | 4214-1 | Terminal Block Bracket | 1 |
| 29. | 5259-1 | Spacer, 1/16" Thick | As Required |
| 30. | 6161-3 | Modular Terminal Assembly, 3 Pole | 1 |
| | | Includes Following Parts: | |
| | 9374-1 | Modular Terminal, Grey | 3 |
| | 9375-1 | End Plate | 1 |
| | 9369-1 | End Clamp | 2 |
| | 9368-079 | Mounting Rail, 79 mm | 1 |
| | 6161-4N | Modular Terminal Assembly, 4 Pole | 1 |
| | | Includes Following Parts: | |
| | 9374-1 | Modular Terminal, Grey | 3 |
| | 9374-2 | Modular Terminal, Blue | 1 |
| | 9375-1 | End Plate | 1 |
| | 9369-1 | End Clamp | 2 |
| | 9368-098 | Mounting Rail, 98 mm | 1 |
| 31. | 2960-1 | Console Assembly, ELT | 1 |
| * 32. | 1-34S4 | Screw, Console Cover, 10 - 32 x 1/2" | 1 |

PARTS LIST, SELF-GENERATING STEAM FULL JACKET KETTLES,
MODELS: ELT-F, EL-F, EP-F

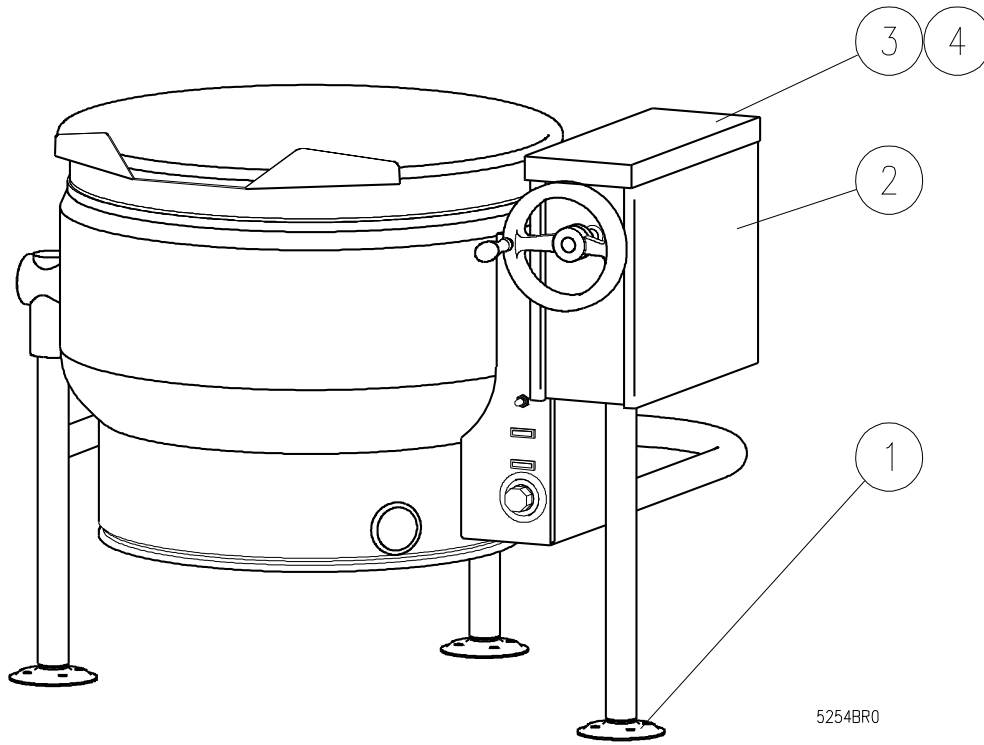
| | | | |
|-----|--------|----------------------------|---|
| 33. | 5608-1 | Decal - Tilt | 1 |
| 34. | 5328-1 | Washer, 3/4 ID x 1-1/4 OD | 1 |
| 35. | 5329-1 | Cotter Pin S.S. 3/16" x 1" | 1 |

* NOT SHOWN.

PARTS LIST, SELF-GENERATING STEAM FULL JACKET KETTLES,
 MODELS: ELT-F, EL-F, EP-F

PARTS LIST

FIGURE 3



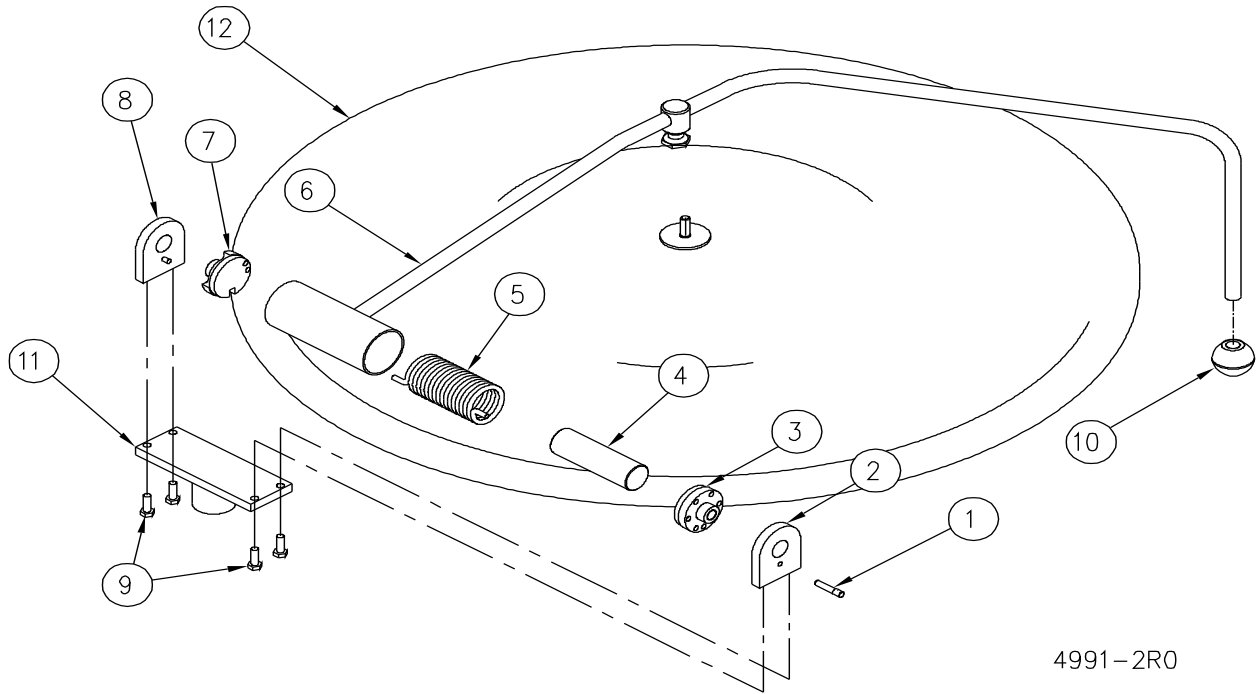
ELT-F

| <u>ITEM</u> | <u>PART NUMBER</u> | <u>DESCRIPTION</u> | <u>QUANTITY</u> |
|-------------|--------------------|-------------------------|-----------------|
| 1. | 8-1308 | Adjustable Flanged Foot | 3 |
| 2. | 2960-1 | Console Box | 1 |
| 3. | 3534-1 | Console Cover | 1 |
| 4. | 1-34S4 | Screw, 10 - 32 x 1/2" | 1 |

PARTS LIST, SELF-GENERATING STEAM FULL JACKET KETTLES,
MODELS: ELT-F, EL-F, EP-F

FIGURE 4

SPRING ASSIST HINGE ASSEMBLY



4991-2R0

PARTS LIST, SELF-GENERATING STEAM FULL JACKET KETTLES,
 MODELS: ELT-F, EL-F, EP-F

FIGURE 4

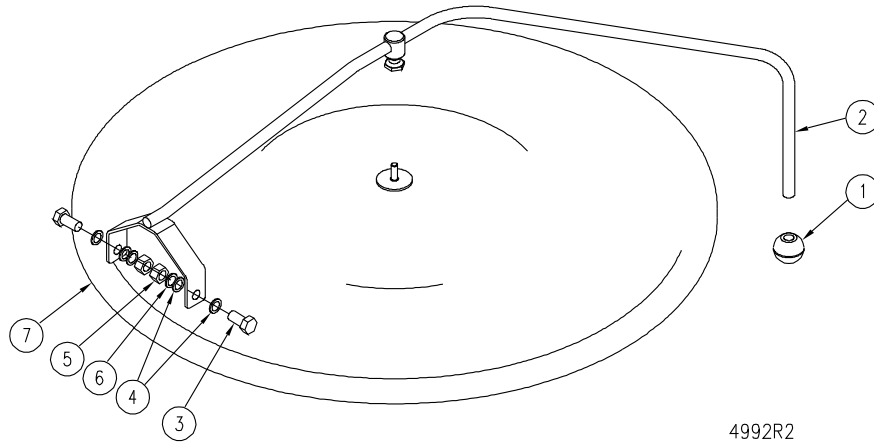
| <u>ITEM</u> | <u>PART NUMBER</u> | <u>DESCRIPTION</u> | <u>QUANTITY</u> |
|-------------|--------------------|---|-----------------|
| | 9-3185 | HINGE ASSEMBLY | |
| 1. | 8-2029 | Lock Pin | 1 |
| 2. | 8-2035L | End Lock Plate | 1 |
| 3. | 5428-1 | Stationary Disc | 1 |
| 4. | 5430-1 | Core | 1 |
| 5. | 8-2026 | Spring | 1 |
| ** 6. | 8-2028-2 | Handle Assembly, 20 Gallon Kettle | 1 |
| | 8-2027 | Handle Assembly, 30 Gallon Kettle | 1 |
| | 8-2027-1 | Handle Assembly, 40 Gallon Kettle | 1 |
| | 8-2027-2 | Handle Assembly, 60 Gallon Kettle | 1 |
| 7. | 5429-1 | Rotary Disc | 1 |
| 8. | 8-2021 | End Stop Plate | 1 |
| 9. | 1-56S6 | Cap Screws, 1/4 - 20 x 3/4, Stainless Steel | 4 |
| 10. | 2-KB01 | Knob | 1 |
| 11. | 4261-1 | Mounting Plate Assembly - Tilting Models Only | 1 |
| ** 12. | 8-2005 | Covers, 20 Gallon Kettle | 1 |
| | 8-2006 | Covers, 30 Gallon Kettle | 1 |
| | 8-2007 | Covers, 40 Gallon Kettle | 1 |
| | 8-2008 | Covers, 60 Gallon Kettle | 1 |

** SELECT AS REQUIRED.

PARTS LIST, SELF-GENERATING STEAM FULL JACKET KETTLES,
 MODELS: ELT-F, EL-F, EP-F

FIGURE 5

HINGE ASSEMBLY

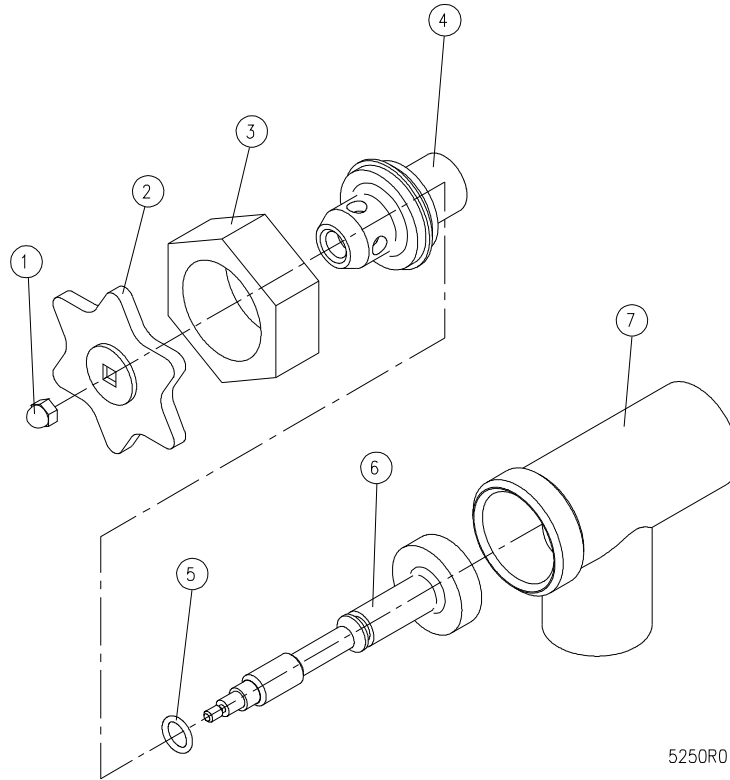


| <u>ITEM</u> | <u>PART NUMBER</u> | <u>DESCRIPTION</u> | <u>QUANTITY</u> |
|-------------|--------------------|-------------------------------------|-----------------|
| 1. | 2-KB01 | Knob | 1 |
| ** 2. | 9-3231-2 | Handle Assembly, 20 Gallon Kettle | 1 |
| 3. | 1-85S8 | Bolt | 2 |
| 4. | 1-W0V6 | Fibre Washer | 4 |
| 5. | 1-89S0 | Hex Nut, 1/2-20 UNF, Stainless Stl. | 2 |
| 6. | S05N-12 | Split Lock Washer | 2 |
| 7. | 8-2005 | Cover, 20 Gallon Kettle | 1 |

* * SELECT AS REQUIRED

PARTS LIST, SELF-GENERATING STEAM FULL JACKET KETTLES,
 MODELS: ELT-F, EL-F, EP-F

FIGURE 6



5250R0

DRAW-OFF VALVE

| <u>ITEM</u> | <u>PART NUMBER</u> | <u>DESCRIPTION</u> | <u>QUANTITY</u> |
|--------------------|---------------------------|----------------------------------|------------------------|
| | 3-D015 | 1 - 1/2" DRAW-OFF VALVE ASSEMBLY | |
| 1. | 9031-3 | Acorn Nut, 10-24 UNC | 1 |
| 2. | 4115-1 | Handle, Stainless Steel | 1 |
| 3. | 3-DV13 | Gland Nut | 1 |
| 4. | 3-DV14 | Bonnet | 1 |
| 5. | 3-DV16 | "O" Ring | 1 |
| 6. | 3-DV15RV | Stem Assembly | 1 |
| 7. | 3-DV17 | Valve Body | 1 |

PARTS LIST, SELF-GENERATING STEAM FULL JACKET KETTLES,
 MODELS: ELT-F, EL-F, EP-F

| <u>ITEM</u> | <u>PART NUMBER</u> | <u>DESCRIPTION</u> | <u>QUANTITY</u> |
|-------------|--------------------|----------------------------|-----------------|
| | 3-D020 | 2" DRAW-OFF VALVE ASSEMBLY | |
| 1. | 9031-3 | Acorn Nut, 10-24 UNC | 1 |
| 2. | 4115-1 | Handle, Stainless Steel | 1 |
| 3. | 3-DV23 | Gland Nut | 1 |
| 4. | 3-DV24 | Bonnet | 1 |
| 5. | 3-DV26 | "O" Ring | 1 |
| 6. | 3-DV25RV | Stem Assembly | 1 |
| 7. | 3-DV27 | Valve Body | 1 |

| <u>ITEM</u> | <u>PART NUMBER</u> | <u>DESCRIPTION</u> | <u>QUANTITY</u> |
|-------------|--------------------|----------------------------|-----------------|
| | 3-D030 | 3" DRAW-OFF VALVE ASSEMBLY | |
| 1. | 3-DV31 | Acorn Nut, 7/16-14 UNC | 1 |
| 2. | 3-DV32 | Handle, Stainless Steel | 1 |
| 3. | 3-DV33 | Gland Nut | 1 |
| 4. | 3-DV34 | Bonnet | 1 |
| 5. | 3-DV36 | "O" Ring | 1 |
| 6. | 3-DV35RV | Stem Assembly | 1 |
| 7. | 3-DV37 | Valve Body | 1 |