



**IMPORTANT FOR FUTURE REFERENCE**

Please complete this information and retain this manual for the life of the equipment:

Model #: \_\_\_\_\_

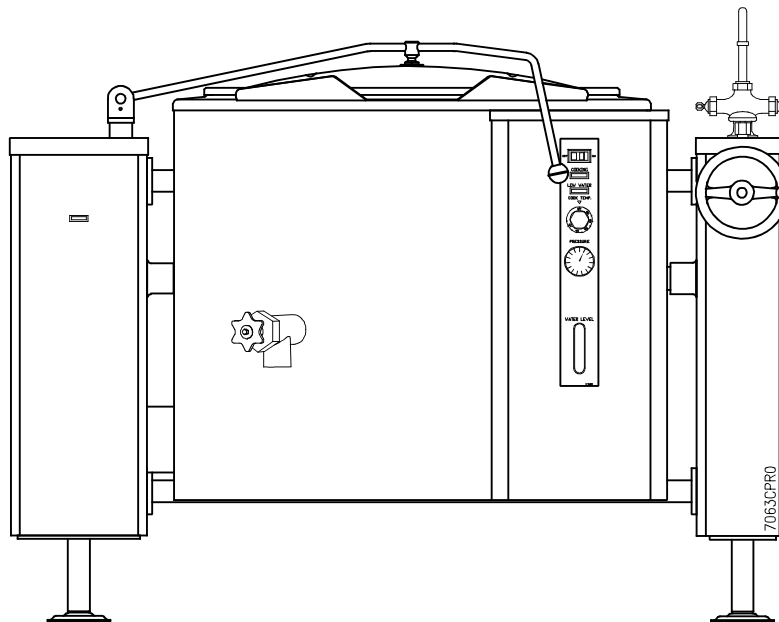
Serial #: \_\_\_\_\_

Date Purchased: \_\_\_\_\_

# PARTS LIST

## Gas Fired Full Jacket Steam Tilting KettlY


; @H( \$:



### WARNING

Improper installation, adjustment, alteration, service or maintenance can cause property damage, injury or death. Read the installation, operating and maintenance instructions thoroughly before installing or servicing this equipment.

### CROWN FOOD SERVICE EQUIPMENT

 A Middleby Company

70 Oakdale Road, Downsview (Toronto) Ontario, Canada, M3N 1V9

Telephone: 919-762-1000

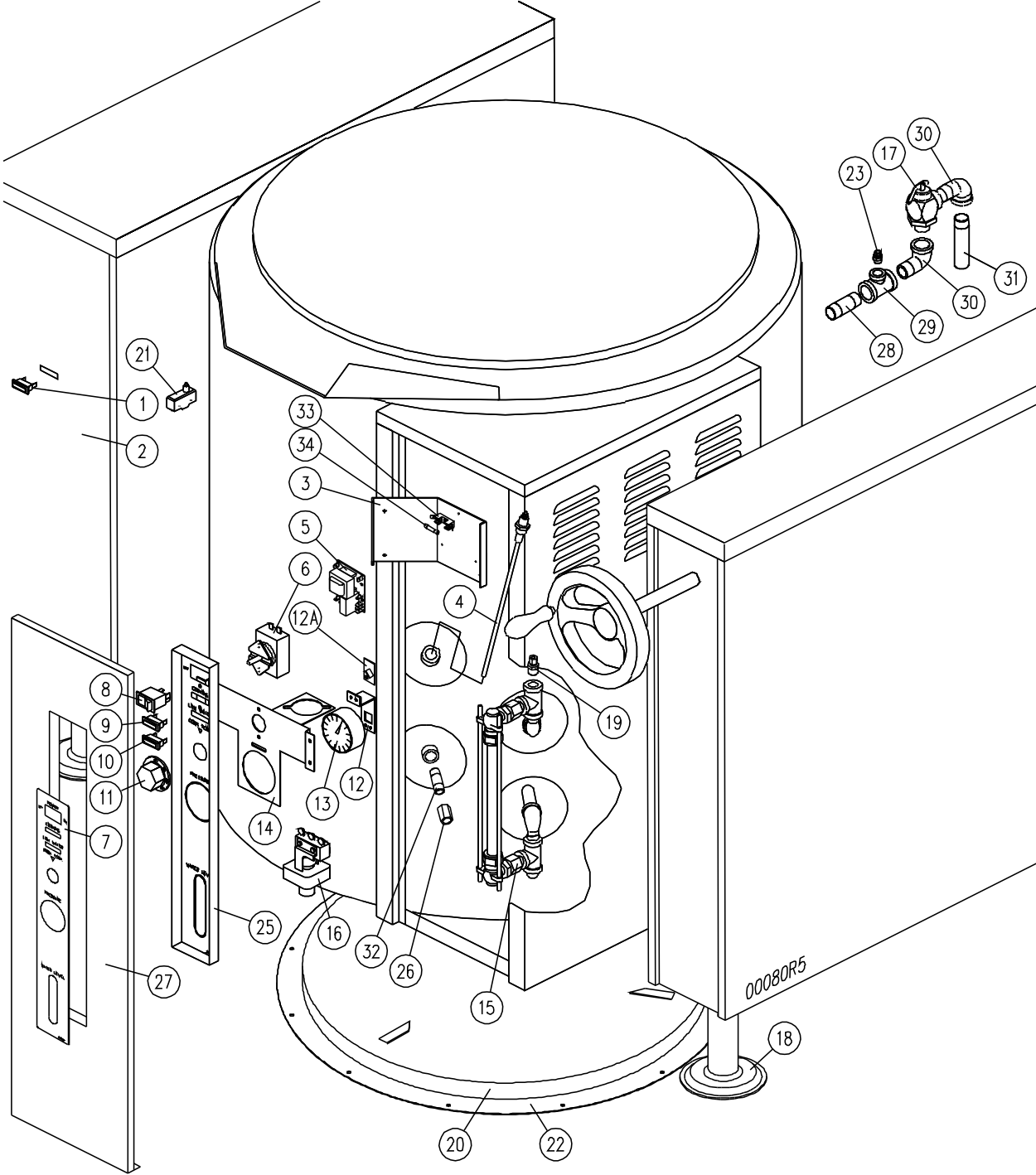
[www.crownsteamgroup.com](http://www.crownsteamgroup.com)

Printed in Canada



PARTS LIST, GAS TILTING KETTLE, MODEL GLT-40F

FIGURE 1



PARTS LIST, GAS TILTING KETTLE, MODEL GLT-40F

**FIGURE 1**

<b><u>ITEM</u></b>	<b><u>PART NO.</u></b>	<b><u>DESCRIPTION</u></b>	<b><u>QUANTITY</u></b>	
1.	4996-6	Pilot Light - Green 24V	1	
2.	7272-1	Instruction Label	1	
3.	4524-1	Mounting Bracket, Low Water Cut-Off	1	
4.	3738-14	Probe, 9-1/4"	1	
5.	3974-1	Low Water Cut Off Control	1	
6.	116-6562	Thermostat	1	
7.	7002-1	Poly Panel	1	
8.	9130-2	Power Switch	1	
9.	4996-2	Pilot Light - Red, 125V	1	
10.	4996-3	Pilot Light - Amber, 125V	1	
11.	4-TK05	Dial	1	
12.	9-3240	Pressure Gauge Bracket	1	
12A	5845-1	Pressure Gauge Clip	1	
13.	4967-1	Pressure Gauge	1	
**	14.	9-3239	Controls Bracket	1
	15.	5285-1	Sight Glass Assembly	1
		9108-6	Glass, 5/8 x 8" Long	1
		8-6016	Rods	2
		8-6018	Washer - Rubber	2
		8-6019	Washer - Brass	2
16.	116-6490	Pressure Switch	1	
17.	3-SRV9-1	Relief Valve	1	
18.	8-1308	Flanged Foot	2	
19.	3-T684C	Fitting, Brass, 1/4C x 3/8 MPT	1	
20.	8328-3	Insulation Bottom Cover	1	

PARTS LIST, GAS TILTING KETTLE, MODEL GLT-40F

			<u>FIGURE 1</u>	
<u>ITEM</u>	<u>PART NO.</u>	<u>DESCRIPTION</u>	<u>QUANTITY</u>	
21.	4-M605	Interlock Switch	1	
22.	8329-3	Bottom Cover with Insulation	1	
23.	3-AV00	Air Vent	1	
* **	24.	2976-3	Combustion Chamber	1
	25.	7790-1	Recessed Control Panel	1
* **	26.	3-103C	Brass Coupling, 3/8 NPT	1
	27.	7819-1	Compartment Panel	1
	28.	9010-034	Nipple, 3/4" x 3-1/2" Lg.	1
	29.	9013-6P	Tee, Black Iron, 3/4" x 3/4" x 3/8" NPT	1
	30.	9012-4P	Street Elbow 90°, Black Iron, 3/4 NPT	2
	31.	5184-1	Extension, Relief Valve	1
	32.	3-113C112	Brass Nipple, 3/8" x 1-1/2" Lg.	1
	33.	9068-1	Fuse Holder	1
	34.	9092-3	Fuse, 3 Amps, 250V	1

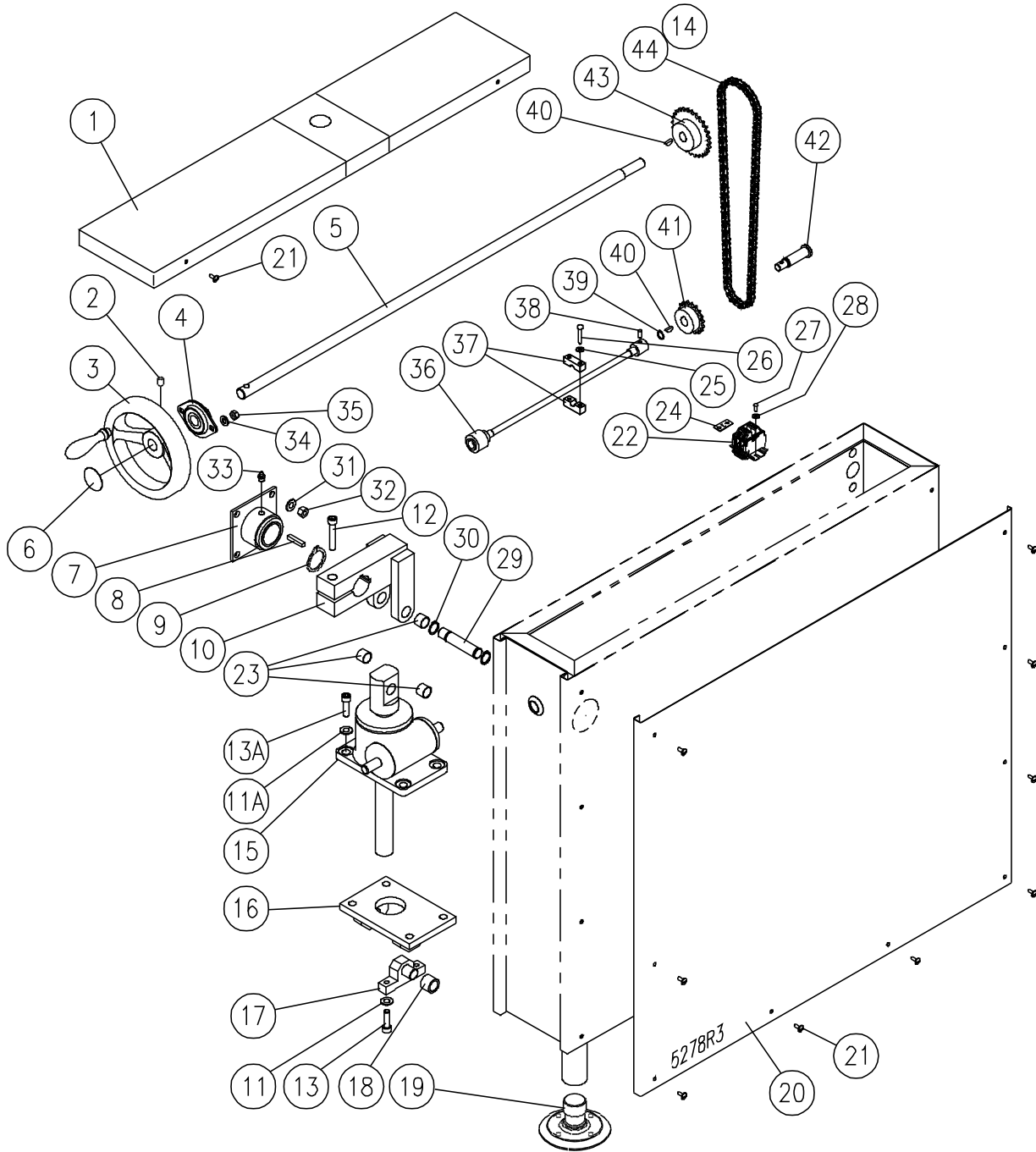
\* NOT SHOWN.

\*\* SELECT AS REQUIRED.

PARTS LIST, GAS TILTING KETTLE, MODEL GLT-40F

TILT CONSOLE AND PARTS

**FIGURE 2**



PARTS LIST, GAS TILTING KETTLE, MODEL GLT-40F

**FIGURE 2**

<u>ITEM</u>	<u>PART NO.</u>	<u>DESCRIPTION</u>	<u>QUANTITY</u>
** 1.	6704-1	Console Cover	1
*	4015-3	Console Cover Assembly (Faucet Mount), OPTIONAL	1
*	3864-1	Spacer (Faucet Mount), OPTIONAL	1
2.	9061-5	Set Screw	1
3.	8-2054	Handwheel	1
4.	5311-1	Front Bearing	1
5.	6722-1	Tilt Shaft	1
6.	5608-1	Tilt Label	1
7.	2460-1	Trunnion Housing Assembly	1
8.	6321-1	Key	1
9.	1-R315	Retaining Ring	1
10.	1348-1	Arm	1
11	F01X-38	Flat Washer, 3/8	4
11A	F01X-12	Flat Washer, 1/2	4
12.	M68P-3816-2	Hex Socket HD Screw, 3/8 - 16 x 2	1
13.	M68P-3816-1	Hex Socket HD Screw, 3/8 - 16 x 1	4
13A.	M68P-1213-114	Hex Socket HD Screw, 1/2-13 x 1-1/4	4
14.	5315-2	Chain Link	1
15.	7842-1	Screw Jack	1
16.	7841-1	Base Assembly	1
17.	6719-1	Base Bracket Assembly	1
18.	5310-1	Bearing	2
19.	8-1308	Adjustable Foot	2

PARTS LIST, GAS TILTING KETTLE, MODEL GLT-40F

**FIGURE 2**

<b><u>ITEM</u></b>	<b><u>PART NO.</u></b>	<b><u>DESCRIPTION</u></b>	<b><u>QUANTITY</u></b>
20.	0680-2	Side Panel	1
21.	M33S-1032-12	Truss HD Slot Screw, 10 - 32 x 1/2	10
22.	9390-2	Terminal Block Assembly, 2 Poles	1
		Includes the following parts:	
	9391-1	Modular Terminal	2
	9392-1	End Plate	1
	9393-1	End Clamp	2
	9394-053	Mounting Rail, 53 mm	1
23.	9209-1815	Bushing	4
24.	4188-1	Earth ID Tag	1
25.	F01X-10	Flat Washer #10	2
26.	M92X-1032-114	Pan HD Screw, 10 - 32 x 1-1/4	2
27.	M13X-832-14	RD HD Screw, 8 - 32 x 1/4	2
28.	E01X-8	External Tooth Washer # 8	2
29.	5761-1	Pin, Rod End of Screw Jack	1
30.	9174-18	Retaining Ring, External, 18 mm	2
31.	S01X-38	Lock Washer, 3/8	4
32.	9029-3	Hex Nut, 3/8 - 16	4
33.	4898-1	Grease Nipple, 1/8 NPT	1
34.	F01X-516	Flat Washer, 5/16	2
35.	9029-2	Hex Nut, 5/16 - 18	2
36.	6727-1	Flexible Shaft Assembly	1
37.	5316-1	Nylon Shaft Guide	2
38.	9075-3	Set Screw, 1/4 - 28 x 3/8	1

PARTS LIST, GAS TILTING KETTLE, MODEL GLT-40F

**FIGURE 2**

<u>ITEM</u>	<u>PART NO.</u>	<u>DESCRIPTION</u>	<u>QUANTITY</u>
39.	1-R362Z	External Retaining Ring	1
40.	5312-1	Key	2
41.	5313-2	Sprocket	1
42.	5306-1	Output Shaft	1
43.	5313-1	Sprocket	1
44.	5315-1	Chain	1
* 45.	4327-1	Single Faucet, 18", OPTIONAL	1
* 45.	6267-1	Double Faucet, 18", OPTIONAL	1

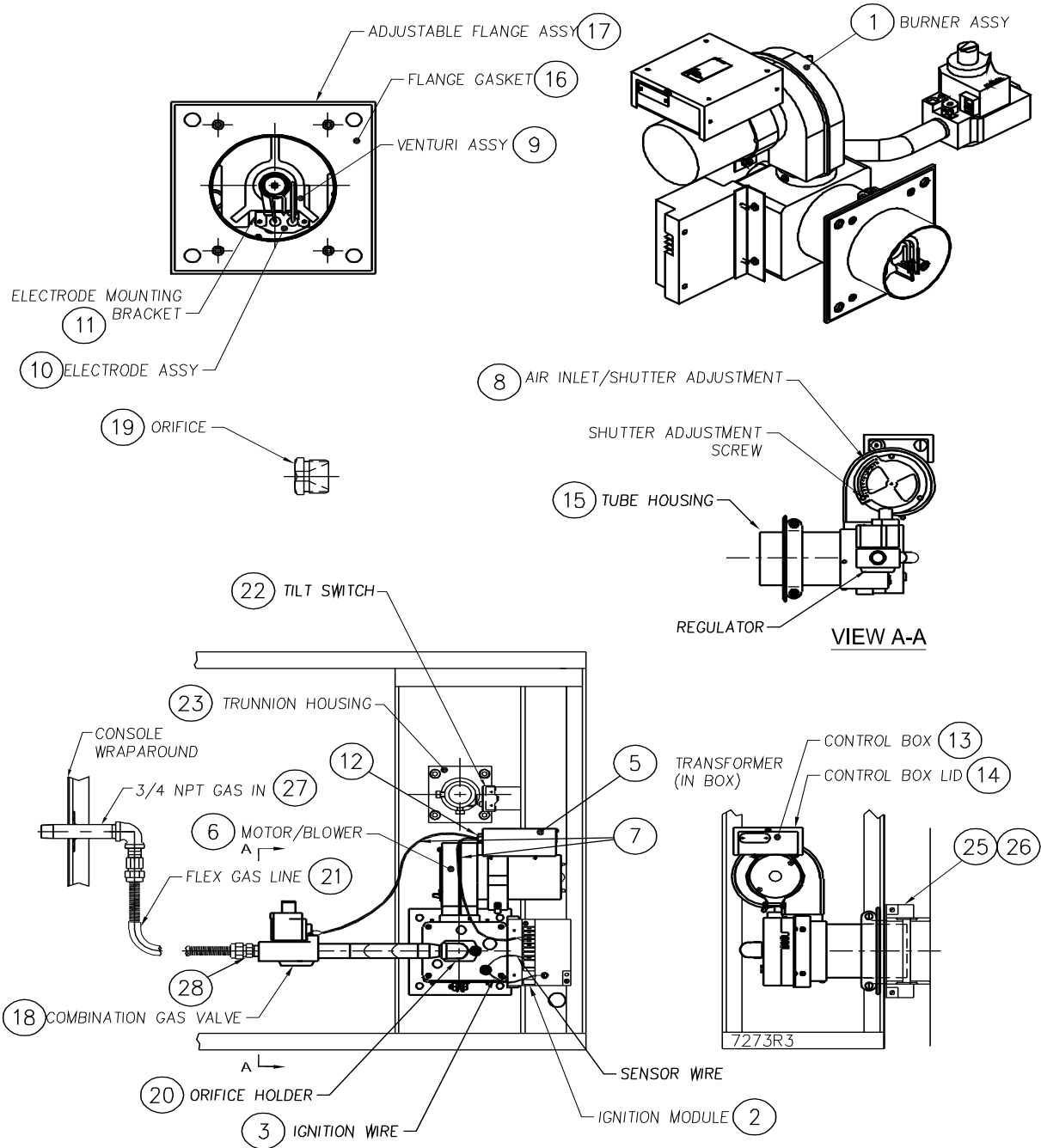
\* NOT SHOWN.

\*\* SELECT AS REQUIRED.



# PARTS LIST, GAS TILTING KETTLE, MODEL GLT-40F

**FIGURE 3**



PARTS LIST, GAS TILTING KETTLE, MODEL GLT-40F

**FIGURE 3**  
**QUANTITY**

<u>ITEM</u>	<u>PART NO.</u>	<u>DESCRIPTION</u>	<u>QUANTITY</u>	
**	1.	9134-7	Complete Burner Assembly, Natural Gas	1
		9134-23	Complete Burner Assembly, LP Gas	1
	2.	3876-2	DSI Module	1
	3.	9141-1	Ignition Wire 18"	1
*	4.	4-T253	Transformer, 220-240/120V, 200VA, 50/60 Hz, (Units rated 220-240V only)	
	5.	3878-1	Transformer, 120/24V, 50/60, 30 VA	1
	6.	9137-1	Motor/Blower, 115V/50/60 Hz	1
	7.	9164-1	Control/Ignition Module Wire Harness	1
	8.	9140-1	Air Shutter Assembly	1
	9.	9150-1	Venturi Assembly	1
	10.	9138-1	Electrode Assembly	1
	11.	9151-1	Electrode Mounting Bracket	1
	12.	9153-1	Adaptor Bushing, 7/8"	1
	13.	9154-1	Control Box with Strap	1
	14.	9155-1	Control Box Lid	1
	15.	9156-1	Tube/Housing, 6"	1
	16.	9157-1	Flange Gasket, 6-1/2" Square	1
	17.	9139-1	Adj. Flange Assembly, 6-1/2" Square	1
	18.	5449-2	Gas Valve, (Natural/LP)	1
**	19.	9136-7	Orifice #7, Natural Gas	1
		9136-23	Orifice #23, LP Gas	1
	20.	9149-1	Orifice Holder	1
	21.	9026-18	Gas Flex Tube	1

PARTS LIST, GAS TILTING KETTLE, MODEL GLT-40F

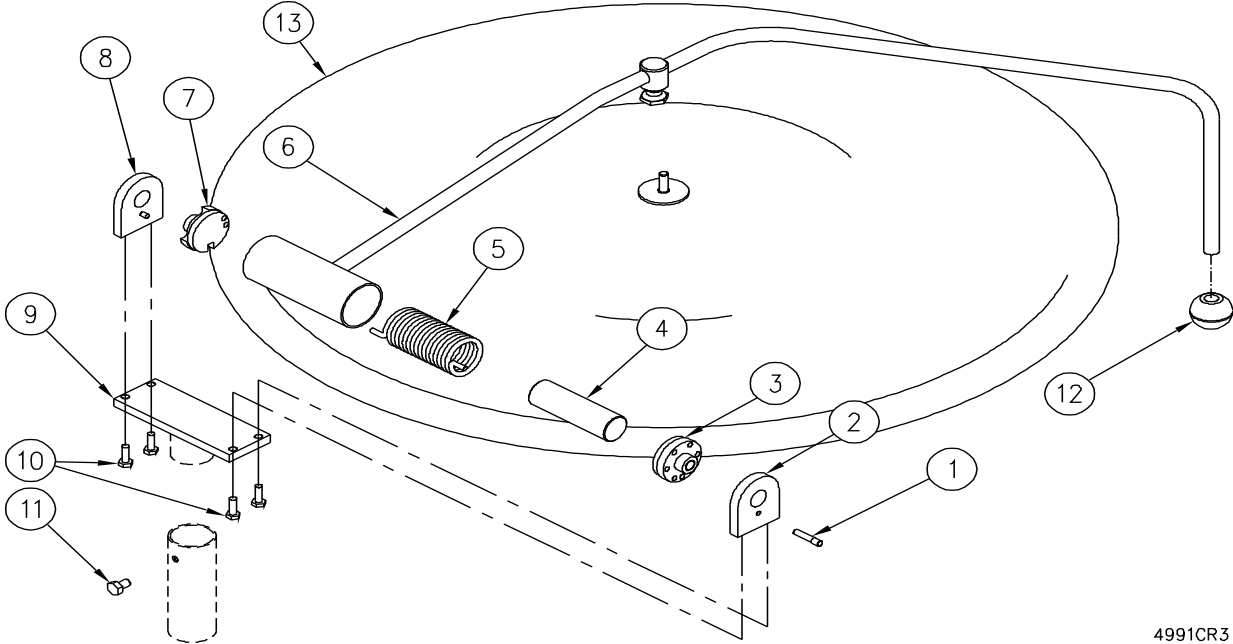
				<b><u>FIGURE 3</u></b>
<b><u>ITEM</u></b>	<b><u>PART NO.</u></b>	<b><u>DESCRIPTION</u></b>	<b><u>QUANTITY</u></b>	
22.	4-M605	Interlock Switch	1	
23.	2460-1	Trunnion Housing Assembly	1	
* **	24.	2945-1	Console Cover, Kettles without Covers	1
		2945-2	Console Cover, Kettles with Covers	1
25.	2443-1	Console Nozzle Assembly	1	
26.	2458-1	Nozzle Cover	1	
27.	6729-1	Gas Supply Pipe Assembly	1	
28.	9163-1	Hex Bushing, 1/2 x 3/4	1	
* **	29.	9002-1	Fuse Holder (220-240V, 50 Hz Units)	1
		9002-1	Fuse Holder (240V, 60 Hz Units)	2
* **	30.	9001-7	Fuse, 2A, 600V (220 - 240V, 50 Hz Units)	1
		9001-7	Fuse, 2A, 600V (240V, 60 Hz Units)	2

\* NOT SHOWN.

\*\* SELECT AS REQUIRED.

**FIGURE 4**

**SPRING ASSIST HINGE ASSEMBLY**



4991CR3

PARTS LIST, GAS TILTING KETTLE, MODEL GLT-40F

**FIGURE 4**

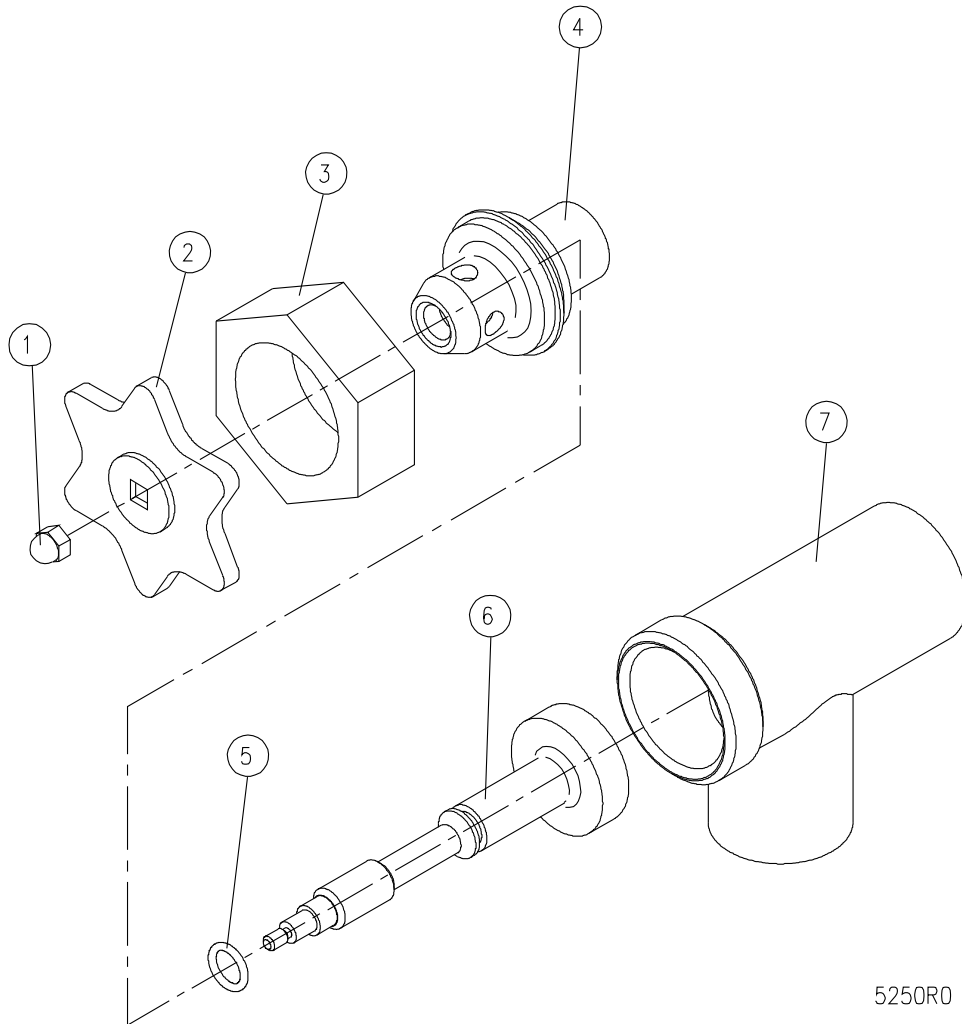
**SPRING ASSIST HINGE ASSEMBLY**

<b><u>ITEM</u></b>	<b><u>PART NO.</u></b>	<b><u>DESCRIPTION</u></b>	<b><u>QUANTITY</u></b>
	9-3185	HINGE ASSEMBLY	
1.	8-2029	Lock Pin	1
2.	8-2035L	End Lock Plate	1
3.	5428-1	Stationary Disc	1
4.	5430-1	Core	1
5.	8-2026	Spring	1
6.	4990-5	Handle Assembly	1
7.	5429-1	Rotary Disc	1
8.	8-2021	End Stop Plate	1
9.	4261-2	Hinge Support Riser	1
10.	M50S-1420-34	Hex HD Screw, 1/4 - 20 x 3/4, Stainless Steel	4
11.	M50S-51618-12	Hex HD Screw, 5/16 - 18 x 1/2	1
12.	2-KB01	Knob	1
13.	8-2006	Cover	1

PARTS LIST, GAS TILTING KETTLE, MODEL GLT-40F

**FIGURE 5**

**DRAW-OFF VALVE**



5250R0

PARTS LIST, GAS TILTING KETTLE, MODEL GLT-40F

**FIGURE 5**

<u>ITEM</u>	<u>PART NO.</u>	<u>DESCRIPTION</u>	<u>QUANTITY</u>
	3-D015	1 -1/2" DRAW-OFF VALVE ASSEMBLY	
1.	9031-3	Acorn Nut 10-24 UNC	1
2.	4115-1	Handle, Stainless Steel	1
3.	3-DV14	Bonnet	1
4.	3-DV13	Gland Nut	1
5.	3-DV16	"O" Ring	1
6.	3-DV15RV	Stem Assembly	1
7.	3-DV17	Valve Body	1

<u>ITEM</u>	<u>PART NO.</u>	<u>DESCRIPTION</u>	<u>QUANTITY</u>
	3-D020	2" DRAW-OFF VALVE ASSEMBLY	
1.	9031-3	Acorn Nut 10-24 UNC	1
2.	4115-1	Handle, Stainless Steel	1
3.	3-DV24	Bonnet	1
4.	3-DV23	Gland Nut	1
5.	3-DV26	"O" Ring	1
6.	3-DV25RV	Stem Assembly	1
7.	3-DV27	Valve Body	1

PARTS LIST, GAS TILTING KETTLE, MODEL GLT-40F

**FIGURE 5**

<b><u>ITEM</u></b>	<b><u>PART NO.</u></b>	<b><u>DESCRIPTION</u></b>	<b><u>QUANTITY</u></b>
	3-D030	3" DRAW-OFF VALVE ASSEMBLY	
1.	3-DV31	Acorn Nut, 7/16 - 14 UNC	1
2.	3-DV32	Handle, Stainless Steel	1
3.	3-DV34	Bonnet	1
4.	3-DV33	Gland Nut	1
5.	3-DV36	"O" Ring	1
6.	3-DV35RV	Stem Assembly	1
7.	3-DV37	Valve Body	1