

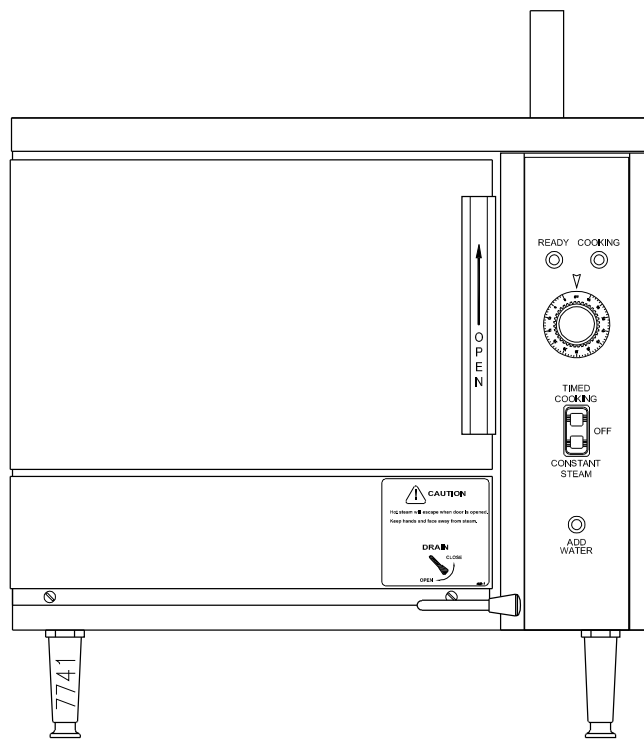


IMPORTANT FOR FUTURE REFERENCE
Please complete this information and retain this manual for the life of the equipment:

Model #: _____
Serial #: _____
Date Purchased: _____

PARTS LIST


9`YWfjW7 ci bhYf`DUb`GhYUa Yf
9 DL!' ``9 DL!)



WARNING

Improper installation, adjustment, alteration, service or maintenance can cause property damage, injury or death. Read the installation, operating and maintenance instructions thoroughly before installing or servicing this equipment.

CROWN FOOD SERVICE EQUIPMENT

 A Middleby Company

70 Oakdale Road, Downsview (Toronto) Ontario, Canada, M3N 1V9
Telephone: 919-762-1000 www.crownsteamgroup.com

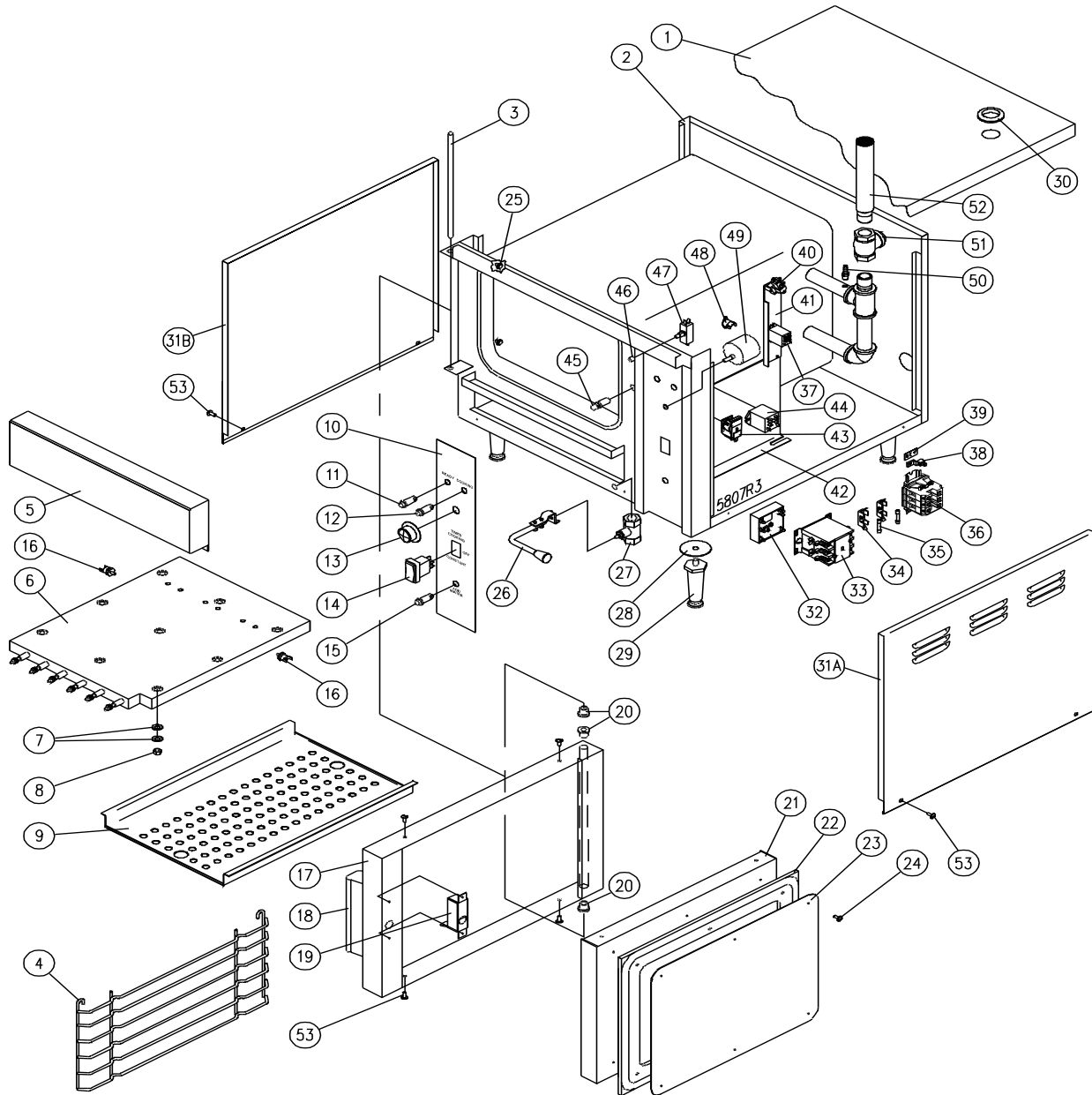
Printed in Canada



PARTS LIST, PAN STEAMERS, MODELS: EPX-3, EPX-5

GENERAL ASSEMBLY

FIGURE 1



PARTS LIST, PAN STEAMERS, MODELS: EPX-3, EPX-5

FIGURE 1

<u>ITEM</u>	<u>PART NUMBER</u>	<u>DESCRIPTION</u>	<u>QUANTITY</u>		
			<u>EPX-3</u>	<u>EPX-5</u>	
1.	7762-1	Top Panel	1	1	
**	2.	8158-1	Back Panel	1	
		8160-1	Back Panel	1	
**	3.	8-5077-9	Hinge Rod	1	
		8-5077-8	Hinge Rod	1	
**	4.	2681-1	Pan Rack	2	
		2681-3	Pan Rack	2	
	5.	6926-1	Element Front Cover	1	1
**	6.	6921-1	Element Assembly, 208V, 9 kW	1	
		6921-2	Element Assembly, 220V, 380V, 9 kW	1	
		6921-3	Element Assembly, 240V, 415V, 9 kW	1	
		6921-4	Element Assembly, 480V, 9 kW	1	
		6921-5	Element Assembly, 600V, 9 kW	1	
		6921-6	Element Assembly, 208V, 15 kW		1
		6921-7	Element Assembly, 220V, 380V, 15 kW		1
		6921-8	Element Assembly, 240V, 415V, 15 kW		1
		6921-9	Element Assembly, 480V, 15 kW		1
		6921-10	Element Assembly, 600V, 15 kW		1
	7.	9063-1	Spring Disc, 3/4 Outside Diameter	18	18
	8.	9029-2	Hex Nut, 5/16 - 18	9	9
	9.	7761-1	Compartment Drip Pan	1	1
**	10.	7732-1	Decal	1	
		7733-1	Decal		1
	11.	4-PL04-1	Pilot Lamp, Green, Ready	1	1

PARTS LIST, PAN STEAMERS, MODELS: EPX-3, EPX-5

<u>ITEM</u>	<u>PART NUMBER</u>	<u>DESCRIPTION</u>	<u>QUANTITY</u>		
			<u>EPX-3</u>	<u>EPX-5</u>	
12.	4-PL07-1	Pilot Lamp, Red, Cooking	1	1	
**	13.	4104-1	Knob, 60M, 60 Hz	1	1
		4103-1	Knob, 60M, 50 Hz, Optional	1	1
		4105-1	Knob, 120M, 60 Hz, Optional	1	1
14.	9124-1	Switch, ON/OFF/ON	1	1	
15.	4-PL06-1	Pilot Lamp, Amber, Low Water	1	1	
16.	4914-1	High-Limit Thermostat	1	1	
**	17.	2822-1	Door Shell	1	
		2840-1	Door Shell		1
18.	3903-2	Door Handle Assembly	1	1	
18A.	3646-1	Door Handle Decal	1	1	
19.	3900-1	Latch Assembly	1	1	
20.	8-5078	Door Bushing	3	3	
**	21.	8-5065-9	Door Panel	1	
		8-5065-8	Door Panel		1
**	22.	8-5063-9	Door Gasket	1	
		8-5063-8	Door Gasket		1
**	23.	8-5064-9	Gasket Plate	1	
		8-5064-8	Gasket Plate		1
24.	9423-1	Gasket Panel Screws	6	8	
25.	4721-1	Pan Rack Hanger Assembly	6	6	
26.	4933-1	Drain Handle Assembly	1	1	
26A.	4935-1	Knob	1	1	
27.	4918-1	Drain Valve	1	1	
28.	9078-1	Washer	4	4	

PARTS LIST, PAN STEAMERS, MODELS: EPX-3, EPX-5

<u>ITEM</u>	<u>PART NUMBER</u>	<u>DESCRIPTION</u>	<u>QUANTITY</u>		
			<u>EPX-3</u>	<u>EPX-5</u>	
29.	5-FS66	Leg Assembly	4	4	
30.	3842-4	Grommet	1	1	
**	31A.	6927-2	Side Panel, Right Hand	1	
		6928-2	Side Panel, Right Hand	1	
**	31B.	6927-3	Side Panel, Left Hand	1	
		6928-3	Side Panel, Left Hand	1	
32.	9242-2	Relay Timer, 230V	1	1	
33.	4-CG42-1	Contactactor, 208-240V	1	1	
		9348-208	Contactactor, 380-600V	1	
34.	9068-1	Fuse Holder	2	2	
35.	9092-1	Fuse, 1A, 250V	2	2	
**	36.	6161-3	Modular Terminal Assembly, 3 Pole, 380 - 600V	1	1
		Includes the following parts:			
		9374-1	Modular Terminal, Grey	3	3
		9375-1	End Plate	1	1
		9369-1	End Clamp	2	2
		9368-079	Mounting Rail, 79 mm	1	1
**	36.	6161-4	Modular Terminal Assembly, 4 Pole, 208 - 240V	1	1
		Includes the following parts:			
		9374-1	Modular Terminal, Grey	4	4
		9375-1	End Plate	1	1
		9369-1	End Clamp	2	2
		9368-098	Mounting Rail, 98 mm	1	1

PARTS LIST, PAN STEAMERS, MODELS: EPX-3, EPX-5

<u>ITEM</u>	<u>PART NUMBER</u>	<u>DESCRIPTION</u>	<u>QUANTITY</u>		
			<u>EPX-3</u>	<u>EPX-5</u>	
36.	6161-4N	Modular Terminal Assembly, 3 Pole with Neutral, 380/220V, 415/240V	1	1	
		Includes the following parts:			
	9374-1	Modular Terminal, Grey	3	3	
	9374-2	Modular Terminal, Blue	1	1	
	9375-1	End Plate	1	1	
	9369-1	End Clamp	2	2	
	9368-098	Mounting Rail, 98 mm	1	1	
37.	9344-2	Relay, DPDT, 220V	1	1	
38.	4-70EU	Grounding Lug	1	1	
39.	4188-1	Earth I.D. Tag	1	1	
40.	9247-1	Pressure Switch	1	1	
41.	5840-1	Pressure Switch Bracket	1	1	
42.	7765-1	Component Board	1	1	
43.	4742-1	Buzzer	1	1	
44.	9332-2	Relay, DPDT	2	2	
45.	8-5021	Striker	1	1	
45A.	S05N-12	Lock Washer, 1/2"	1	1	
45B.	8-5022	Stainless Steel Washer	1	1	
45C.	1-89S0	Hex Nut, 1/2-20 UNF, Stainless Steel	1	1	
46.	9-3336	Switch Actuator Rod with Clip	1	1	
47.	9-3213	Door Switch	1	1	
48.	9077-1	Stand-By Temperature Thermostat	1	1	
**	49.	4-T209-1	Timer, 60 Minutes	1	1
		9386-2	Timer, 120 Minutes	1	1
	50.	9053-8	Hose Barb, 1/4" x 1/8" MPT	1	1

PARTS LIST, PAN STEAMERS, MODELS: EPX-3, EPX-5

<u>ITEM</u>	<u>PART NUMBER</u>	<u>DESCRIPTION</u>	<u>QUANTITY</u>	
			<u>EPX-3</u>	<u>EPX-5</u>
**	9222-090	Tube, 1/4" x 9" Long	1	1
	51. 5808-1	Check Valve - Modified	1	1
**	52. 5842-1	Vent Tube Sub Assembly	1	
	5842-2	Vent Tube Sub Assembly		1
	53. M33S-1032-12	Truss HD. Screw 10-32 UNF x 1/2	8	8
*	NOT SHOWN.			
**	SELECT AS REQUIRED.			