



**IMPORTANT FOR FUTURE REFERENCE**

Please complete this information and retain this manual for the life of the equipment:

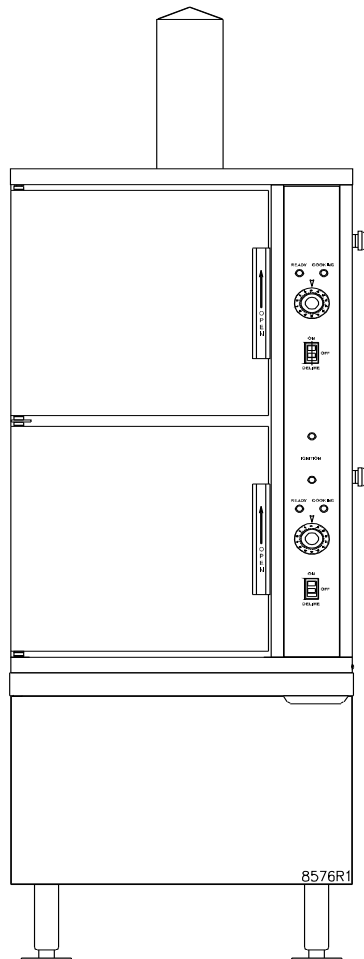
Model #: \_\_\_\_\_

Serial #: \_\_\_\_\_

Date Purchased: \_\_\_\_\_

# PARTS LIST


## Gas Two Compartment Convection Steamer on Cabinet Base SX-7G3 SX-10G3



### WARNING

Improper installation, adjustment, alteration, service or maintenance can cause property damage, injury or death. Read the installation, operating and maintenance instructions thoroughly before installing or servicing this equipment.

### CROWN FOOD SERVICE EQUIPMENT

 A Middleby Company

70 Oakdale Road, Downsview (Toronto) Ontario, Canada, M3N 1V9

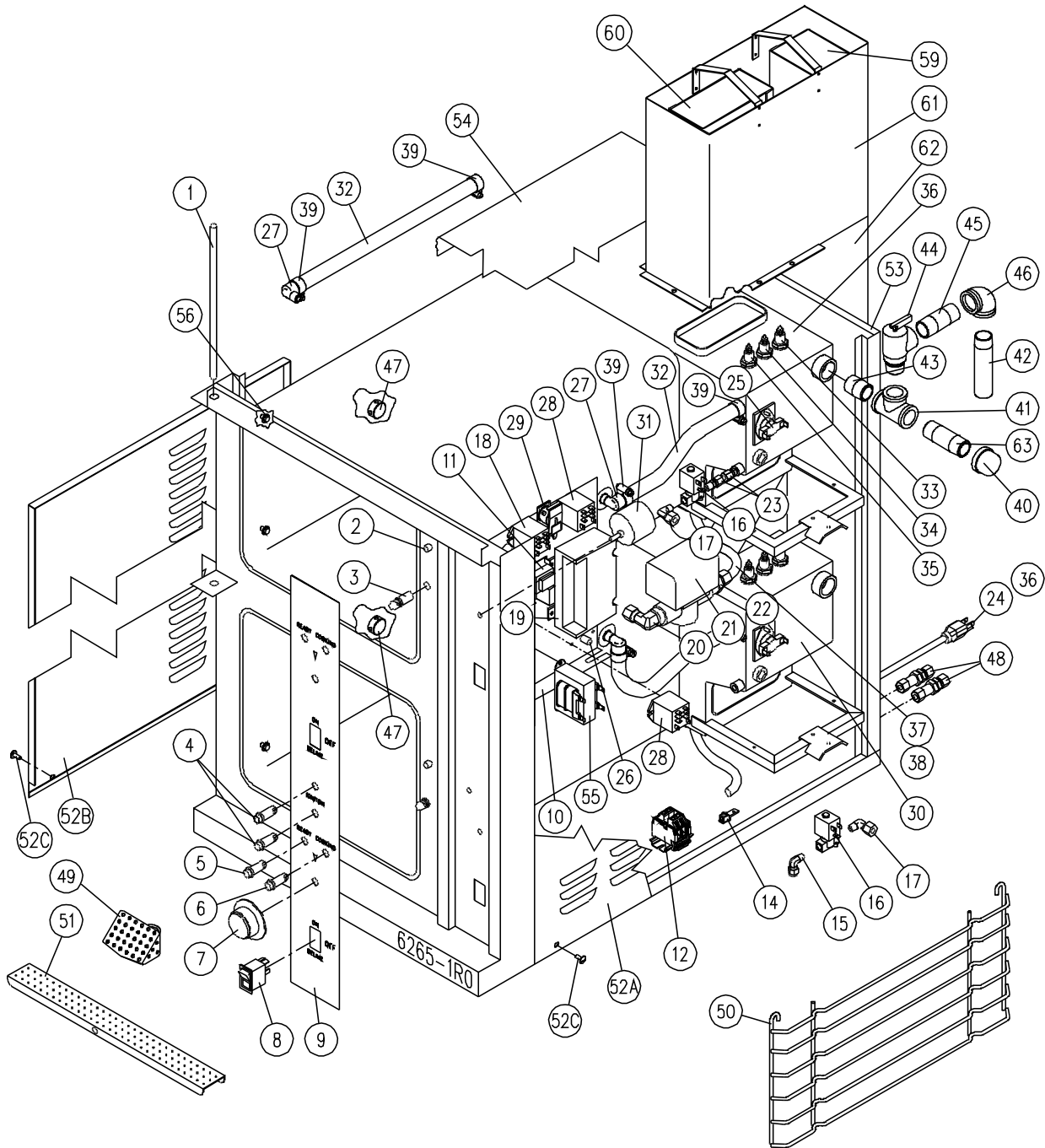
Telephone: 919-762-1000 [www.crownsteamgroup.com](http://www.crownsteamgroup.com)

Printed in Canada



PARTS LIST, GAS CONVECTION STEAMER, MODELS SX-7G3, SX-10G3

**FIGURE 1**



PARTS LIST, GAS CONVECTION STEAMER, MODELS SX-7G3, SX-10G3

**FIGURE 1**

<b><u>ITEM</u></b>	<b><u>PART NO.</u></b>	<b><u>DESCRIPTION</u></b>	<b><u>SX-7G3</u></b>	<b><u>SX-10G3</u></b>	
1.	3977-1	Hinge Rod	1		
	3977-2	Hinge Rod		1	
2.	9-3213	Door Switch	2	2	
*	9-3336	Actuator Rod c/w Retaining Ring	2	2	
3.	8-5021	Striker Pin	2	2	
*	8-5022	Front Spacer	2	2	
*	1-90S0	Lock Washer, 1/2	2	2	
*	1-89S0	Hex Nut, 1/2 - 20 UNF	2	2	
*	9-3367	Washer, Door Bushing Spacer	2	2	
4.	4-PL04-2	Pilot Light - Green, Ignition, (28V)	2	2	
5.	4-PL04	Pilot Light - Green, Ready, (125V)	2	2	
6.	4-PL07	Pilot Light - Red, Cooking, (125V)	2	2	
7.	4104-1	Timer Knob - 60 Minutes, 60 Hz	2	2	
8.	9124-2	Power Switch	2	2	
9.	6410-1	Control Decal	1		
	6412-1	Control Decal		1	
10.	6444-1	Component Mounting Board	2	2	
**	11.	4038-4	Level Control Board, 10K OHM	2	2
		5230-1	Level Control Board, 1M OHM, Optional	4	4
12.	9390-2	Terminal Block Assembly, 2 Pole	1	1	
		Includes the following parts:			
		9391-1	Modular Terminal	2	2
		9392-1	End Plate	1	1
		9393-1	End Clamp	2	2

PARTS LIST, GAS CONVECTION STEAMER, MODELS SX-7G3, SX-10G3

<u>ITEM</u>	<u>PART NO.</u>	<u>DESCRIPTION</u>	<u>SX-7G3</u>	<u>SX-10G3</u>
	9394-053	Mounting Rail	1	1
13.	4204-51	Wire Harness	2	2
14.	4-35EU	Ground Lug	1	1
*	4188-1	Earth ID Tag	1	1
15.	3-694A	Elbow, Brass, 1/4C x 1/8 MPT	2	2
16.	5162-1	Solenoid Valve, 120V	4	4
17.	3-696A	Elbow, Brass, 3/8 C x 1/8 MPT	4	4
18.	9332-1	Relay, DPDT, 120V	2	2
19.	9210-2	Ignition Module, Intermittent Pilot	2	2
20.	3-698E	Elbow, Brass, 1/2 C x 3/4 MPT	2	2
21.	3-S543	Blowdown Solenoid, 120V	2	2
22.	3-6810E	Connector, Brass, 5/8 C x 3/4 MPT	2	2
23.	3-684A	Connector, Brass, 1/4 C x 1/8 MPT	4	4
24.	4127-3	Cord Set, 120V	1	1
25.	4874-3	High Limit Thermostat	2	2
26.	9126-1	Thermostat, Operating	2	2
27.	3-1398B	Hose Barb Elbow, Brass, 1/2 - 1/4 MPT	4	4
28.	9332-1	Relay, DPDT, Single Pole in Use, 120V	4	4
29.	3821-1	Buzzer, 120V	2	2
30.	8579-1	Generator Tank, Bottom	1	1
31.	4-T210	Timer, 60 Minutes, 120V	2	2
32.	9268-130	Steam Hose, Right Hand/Left Hand, 1/2 I.D. x 13	4	4
33.	3738-9	Probe, 4.875" Low Level Cut Off	2	2
34.	3738-8	Probe, 4.5", Low Level	2	2

PARTS LIST, GAS CONVECTION STEAMER, MODELS SX-7G3, SX-10G3

<u>ITEM</u>	<u>PART NO.</u>	<u>DESCRIPTION</u>	<u>SX-7G3</u>	<u>SX-10G3</u>
35.	3738-7	Probe, 4.375", High Level	2	2
36.	8578-1	Generator Tank, Top	1	1
37.	6305-1	Drain Tube	2	2
38.	9413-58-34	Elbow, Brass, 45° Flare	2	2
* 38A.	9412-58	Forged Nut, 45° Flare	2	2
39.	9017-2	Hose Clamp, 3/8" - 7/8"	8	8
40.	3-108E	Cap, Brass, 3/4 NPT	2	2
41.	3-101E	Tee, Forged Brass 3/4 NPT	2	2
42.	5184-1	Extension, Relief Valve	2	2
43.	3-112E	Close Nipple, Brass 3/4 NPT	2	2
44.	5286-1	Relief Valve, 5 PSI	2	2
45.	9090-024	Nipple, Brass, 3/4 NPT x 2-1/2 Long	2	2
46.	3-100E	Elbow, Brass, 3/4 NPT	2	2
47.	5655-1	Steam Diverter Kit	4	4
48.	3-776	Water Connection, Brass Union	2	2
49.	5224-2	Compartment Strainer	2	2
** 50.	2681-1	Pan Rack, Upper Compartment	2	
	2681-2	Pan Rack, Lower Compartment	2	
	2681-3	Pan Rack		4
51.	8-5023	Perforated Door Trough	1	1
52A.	6440-1	Right Side Panel	1	1
52B.	8148-1	Left Side Panel	1	1
52C.	M33S-1032-12	Truss HD Screw, #10-32 UNF x 1/2	6	6
53.	8131-1	Back Panel	1	1
54.	4517-1	Top Cover	1	1

PARTS LIST, GAS CONVECTION STEAMER, MODELS SX-7G3, SX-10G3

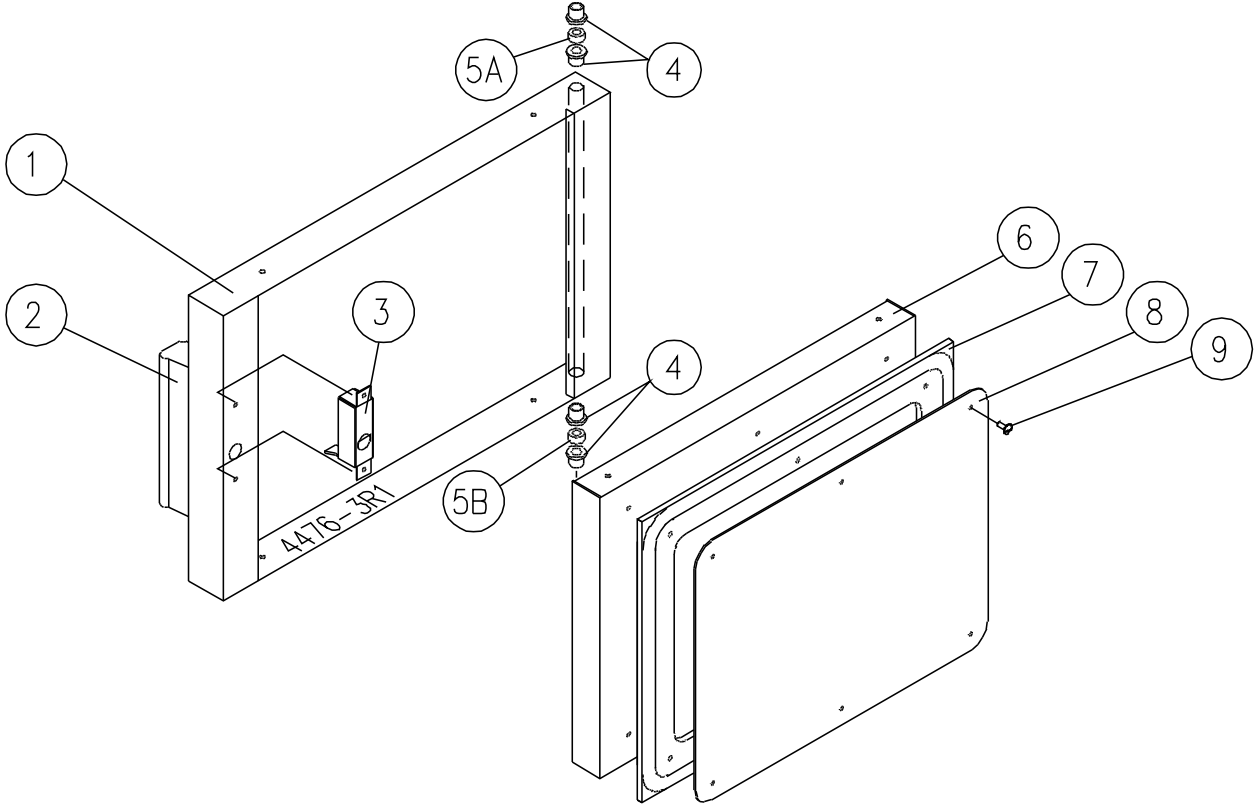
<u>ITEM</u>	<u>PART NO.</u>	<u>DESCRIPTION</u>	<u>SX-7G3</u>	<u>SX-10G3</u>	
55.	9-3383	Transformer, 120-24V, 40VA	2	2	
56.	4721-1	Pin Assembly	12	12	
* 57.	9068-1	Fuse Holder	2	2	
* ** 58.	9092-2	Fuse, 2A, 250V (120V Unit)	2	2	
	9092-1	Fuse, 1A, 250V (220V Unit)	2	2	
* 59.	4522-1	Flue, Lower Generator	1	1	
* 58.	4523-1	Flue, Top Generator	1	1	
* 59.	4863-1	Flue Assembly	1	1	
* 60.	4523-1	Flue, Top Generator	1	1	
* 61.	4863-1	Flue Wraparound Assembly	1	1	
	62.	4520-1	Flue Wraparound Back Side	1	1
	63.	9090-034	Nipple, Brass, 3/4 NPT x 3-1/2 L.G.	2	2
* 64.	4-T265	Transformer, 220-240/110-120V, 50/60, Hz	2	2	

\* NOT SHOWN.

\*\* SELECT AS REQUIRED.

PARTS LIST, GAS CONVECTION STEAMER, MODELS SX-7G3, SX-10G3

**FIGURE 2**



PARTS LIST, GAS CONVECTION STEAMER, MODELS SX-7G3, SX-10G3

**FIGURE 2**

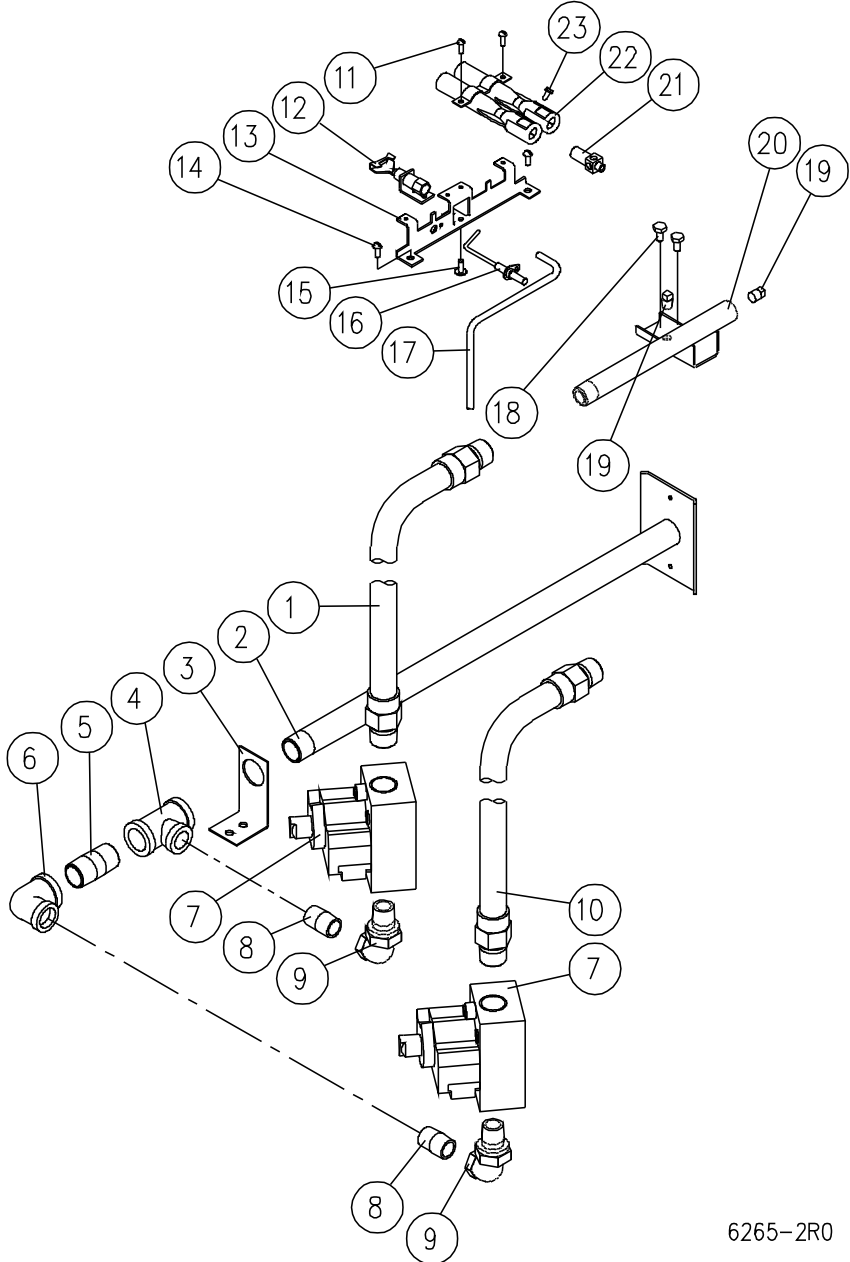
**DOOR PARTS**

<b><u>ITEM</u></b>	<b><u>PART NO.</u></b>	<b><u>DESCRIPTION</u></b>	<b><u>SX-7G3</u></b>	<b><u>SX-10G3</u></b>
1.	8-5060-8	Door Frame		2
	8-5060-7	Door Frame, Bottom	1	
	8-5060-9	Door Frame, Top	1	
2.	3903-2	Door Handle Assembly	2	2
	3646-1	Door Handle Decal	2	2
3.	8-5068-9	Latch Assembly	2	2
4.	8-5078	Bushing	8	8
5A.	5716-1	Spacer, Upper	2	2
5B.	5717-1	Spacer, Lower	2	2
6.	8-5065-8	Door Panel		2
	8-5065-7	Door Panel, Bottom	1	
	8-5065-9	Door Panel, Top	1	
7.	8-5063-8	Door Gasket		2
	8-5063-7	Door Gasket, Bottom	1	
	8-5063-9	Door Gasket, Top	1	
8.	8-5064-8	Gasket Plate		2
	8-5064-7	Gasket Plate, Bottom	1	
	8-5064-9	Gasket Plate, Top	1	
9.	9-1011-1	Gasket Panel Screws	14	16
10.	8-5076-8	Door Assembly		2
	8-5076-7	Door Assembly, Bottom	1	
	8-5076-9	Door Assembly, Top	1	



PARTS LIST, GAS CONVECTION STEAMER, MODELS SX-7G3, SX-10G3

**FIGURE 3**



6265-2R0

## PARTS LIST, GAS CONVECTION STEAMER, MODELS SX-7G3, SX-10G3

**FIGURE 3**

<b><u>ITEM</u></b>	<b><u>PART NO.</u></b>	<b><u>DESCRIPTION</u></b>	<b><u>QUANTITY</u></b>	
1.	9026-42	Upper Gas Flex Tube, 5/8", O.D. x 42" Long.	1	
2.	6433-3	Gas Supply Pipe Assembly	1	
3.	4487-2	Bracket	1	
4.	9013-7	Malleable Iron Tee, 3/4" x 3/4" x 1/2"	1	
5.	9010-020	Nipple, 3/4" x 2" Long	1	
6.	9014-1	90° Reducing Elbow, 3/4" NPT x 1/2" NPT	1	
**	7.	5450-1	Gas Valve, Natural Gas	2
		5450-2	Gas Valve, LP Gas	2
8.	9009-000	Close Nipple, 1/2"	2	
9.	3-U4BE	Union Elbow, 1/2"	2	
10.	9026-24	Lower Gas Flex Tube, 5/8" O.D. x 24" Long	1	
11.	T50C-832-14	Hex Screw, 8 - 32 x 1/4"	8	
**	12.	5375-1	Pilot Burner, LP Gas	2
		5375-2	Pilot Burner, Natural Gas	2
13.	6748-1	Burner Mounting Bracket	2	
14.	M29S-1032-38	Machine Screw, 10 - 32 x 3/8"	4	
15.	M29X-1032-14	Machine Screw, 10 - 32 x 1/4"	4	
16.	5362-1	Spark Electrode	2	
**	17.	5774-1	Pilot Tube - Upper	1
		5774-2	Pilot Tube - Lower	1
18.	M50X-1420-12	Machine Bolt, 1/4 - 20 x 1/2"	4	
19.	9035-1	Plug, 1/8" NPT	2	
20.	6949-1	Manifold, Natural Gas, LP Gas	2	

PARTS LIST, GAS CONVECTION STEAMER, MODELS SX-7G3, SX-10G3

<u>ITEM</u>	<u>PART NO.</u>	<u>DESCRIPTION</u>	<u>QUANTITY</u>
** 21.	4951-52	Orifice, # 52, Natural Gas	8
	4951-60	Orifice, # 60, LP Gas	8
22.	6749-1	Twin Burners, Natural Gas, LP Gas	4
23.	A54C-6-38	Screw, # 6 x 3/8"	8

\* NOT SHOWN

\*\* SELECT AS REQUIRED.