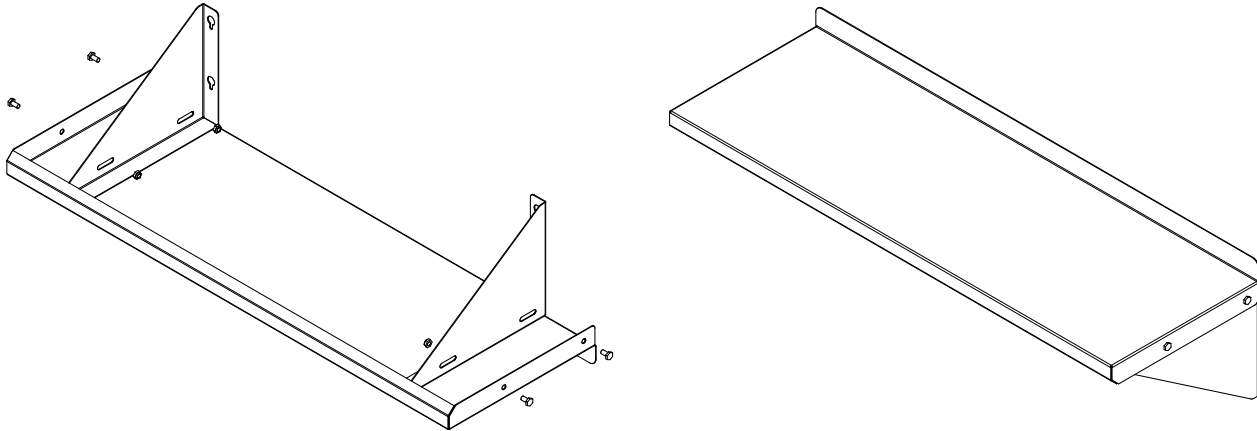




WALL SHELF ASSEMBLY INSTRUCTIONS (STAINLESS STEEL OR GALVANIZED)

100620

3601 S. BANKER ST. EFFINGHAM, IL 62401 • P.O. BOX 609 • PH: (888) 431-2667 • FAX: (800) 433-2667



PARTS:

- (2) WALL SHELF BRACKETS (3 FOR 8' OR LONGER)
- (1) WALL SHELF

HARDWARE (PER LEG):

- (4) M6 X 12MM BOLTS AND NUTS FOR 12" OR 16" SHELVES UP TO 6' LONG
- (4) #14 X 1 SCREWS
- (4) M6 X 12MM BOLTS AND NUTS FOR 12" OR 16" SHELVES 8' AND LONGER
- (6) #14 X 1 SCREWS

TOOLS REQUIRED:

- (1) 12MM WRENCH
- (1) 12MM SOCKET WRENCH
- (1) FLAT HEAD SCREWDRIVER

INSTRUCTIONS:

1. REMOVE ALL CONTENTS OF BOX. SEPARATE THE HARDWARE AND PARTS.
2. PLACE BRACKETS ON THE INSIDE OF SHELF END TURN-DOWN.
NOTE: BRACKETS ARE PAIRED LEFT AND RIGHT.
3. SECURE THE BRACKET TO THE SHELF USING THE M6 x 12MM BOLTS AND NUTS.
4. SHELVES 8' AND OVER WILL HAVE A MIDDLE SUPPORT BRACKET. BRACKET IS FOR SUPPORT ONLY AND IS NOT MOUNTED DIRECTLY TO THE SHELF. BRACKET IS MOUNTED ONLY TO THE WALL AT OR NEAR THE MIDDLE OF THE SHELF WITH THE SHELF RESTING ON THE TOP OF THE BRACKET.
5. UNIT IS READY TO BE SECURED TO THE WALL. UNIT MUST BE SECURED TO SUBSTANTIAL STRUCTURAL FIXTURE (WALL STUD, ETC). #14 X 1 SCREWS ARE PROVIDED OR YOU MAY CHOOSE TO USE YOUR OWN FASTENERS DEPENDING ON THE TYPE OF WALL MATERIAL.

SALES@JOHNBOOS.COM

WWW.JOHNBOOS.COM