



Commercial Refrigeration Equipment



4-5 Reach-In Refrigerators, Solid Door, Bottom Mount Compressor

6-7 Reach-In Freezers, Solid Door, Bottom Mount Compressor

8-9 Reach-In Refrigerators, Glass Door, Bottom Mount Compressor

10-11 Reach-In Freezers, Glass door, bottom mount compressor

12-13 Reach-In Refrigerators, Solid Door, Top Mount Compressor

14-15 Reach-In Freezers, Solid Door, Top Mount Compressor

16-17 Under Counter Refrigerators

18-19 Under Counter Freezers

20-21 Salad / Sandwich Prep Tables

22-23 Mega Top Salad / Sandwich Prep Tables

24-25 Pizza Prep Tables

26-27 Chef Bases

28-29 Back Bar Refrigerators, Glass Swing Doors

30-31 Back Bar Refrigerators, Glass Sliding Doors

32-33 Bottle Coolers

34 Glass Chillers

35 Pan Configurations for Units with Drawers

36-37 Accessories

38-39 Terms & Conditions - Warranty



Commercial Refrigeration Equipment

IKON brings you quality refrigeration equipment at the most competitive prices on the market. Each unit is certified to ANSI and NSF-7 standards for commercial use and come with a warranty that rivals the best equipment in the commercial refrigeration industry.

IKON manufactures a wide variety of commercial refrigeration equipment for all your needs including reach-in refrigerators and freezers, undercounter refrigerators and freezers, chef bases, refrigerated prep tables, back bar coolers, and more! Browse our selection of IKON products and find the right commercial refrigeration equipment for you that won't break your budget.

2 Years parts and labor warranty
Additional 3 years on compressor

STOCK AVAILABLE IN MULTIPLE WAREHOUSES



786.600.4687
Toll Free: 844.218.8477



514.737.9701
Toll Free: 888.275.4538



mvpgroupcorp.com



sales@mvpgroupcorp.com





REACH-IN BOTTOM-MOUNT SERIES REFRIGERATORS

Features

- CFC free refrigerant and foam insulation
- Electronic thermostat and digital LED temperature display for accurate control and easy reading
- 3 adjustable, heavy-duty epoxy coated wire shelves per door
- Condensate heating element built into condensate pan for efficient evaporation of excess water
- Easy to mount 4" casters (lockable in front) are standard with all units
- Locking doors on all units. IB27R door swing is field reversible
- Self-closing doors that remain open at 90 degrees
- Magnetic gasket can be replaced without any tools
- Exterior: 430 stainless steel, door & front panel: 202 stainless steel
- Interior: 304 stainless steel
- Temperature: 33 to 40°F / 0.5 to 4°C
- R-290 Natural refrigerant
- Electrical: 115/60/1 with NEMA 5-15P plug, 10ft cord



NEMA
5-15P



IB27R*



IB54R*



IB81R

Specifications

DESIGNED TO OPERATE IN AMBIENT TEMPERATURES BETWEEN 40F-90F FOR OPTIMUM PERFORMANCE.



Model	Doors	Ext. Dimensions W X D X H (In)	Int.. Dimensions W X D X H (In)	Amps	H.P	Ship Weight
IB27R*	1	26.8 X 32.7 X 82.3	22.2 X 27.6 X 50.2	3	1/5	307 lbs
IB54R*	2	53.9 X 32.7 X 82.3	49.4 X 27.6 X 50.2	4.5	1/4	490 lbs
IB81R	3	81.0 X 32.7 X 82.3	76.4 X 27.6 X 50.2	7	1/2	598 lbs

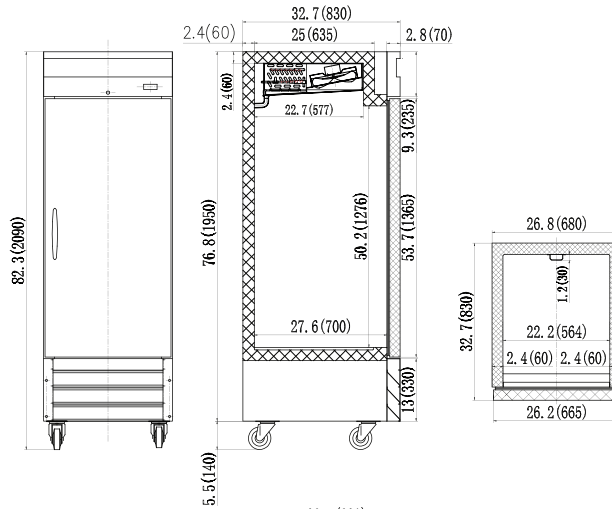


REACH-IN BOTTOM-MOUNT SERIES REFRIGERATORS

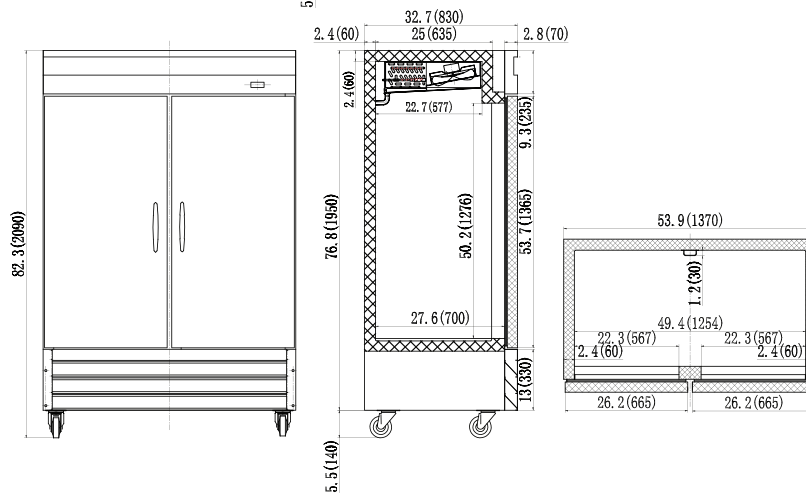


Dimensions in inches (mm)

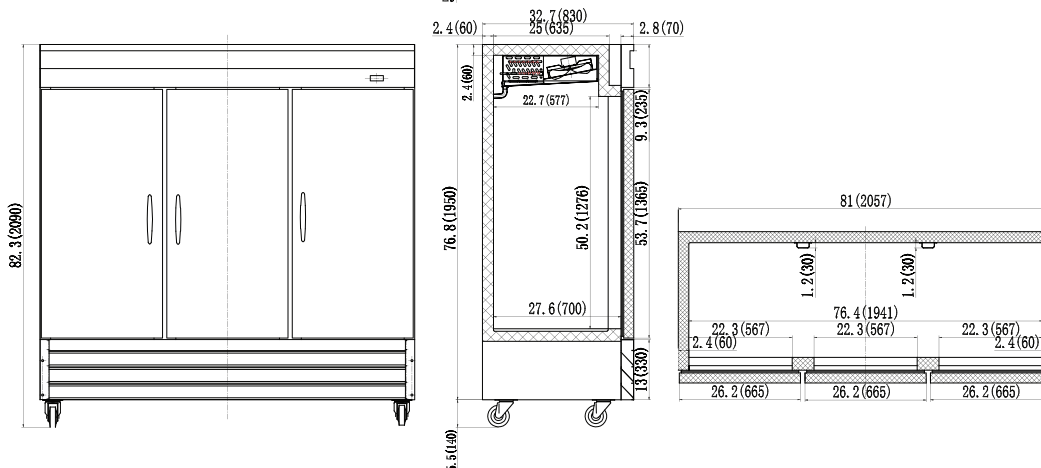
IB27R*



IB54R*



IB81R



REACH-IN BOTTOM-MOUNT SERIES FREEZERS

Features

- CFC free refrigerant and foam insulation
- Electronic thermostat and digital LED temperature display for accurate control and easy reading
- 3 adjustable, heavy-duty epoxy coated wire shelves per door
- Condensate heating element built into condensate pan for efficient evaporation of excess water
- Freezer door frames have integral factory installed heating element to eliminate condensation
- Easy to mount 4" casters (lockable in front) are standard with all units
- Locking doors on all units. IB27F door swing is field reversible
- Self-closing doors that remain open at 90 degrees
- Magnetic gasket can be replaced without any tools
- Exterior: 430 stainless steel, door & front panel: 202 stainless steel
- Interior: 304 stainless steel
- Temperature: 0 to -10°F / -17 to -23°C
- Electrical: 115/60/1 with NEMA 5-15P plug IB81F DV: 115/208-230/60/1 with NEMA L14-20P plug, 10ft cord
- Refrigerant: R404A



IB27F*



NEMA
5-15P



IB54F*



NEMA
L14-20P



IB81F DV

Specifications

DESIGNED TO OPERATE IN AMBIENT TEMPERATURES BETWEEN 40F-90F FOR OPTIMUM PERFORMANCE.



Model	Doors	Ext. Dimensions W X D X H (In)	Int.. Dimensions W X D X H (In)	Amps	H.P	Ship Weight
IB27F*	1	26.8 X 32.7 X 82.3	22.2 X 27.6 X 50.2	11	5/8	329 lbs
IB54F*	2	53.9 X 32.7 X 82.3	49.4 X 27.6 X 50.2	12	1	501 lbs
IB81F DV	3	81.0 X 32.7 X 82.3	76.4 X 27.6 X 50.2	8	1 1/4	625 lbs

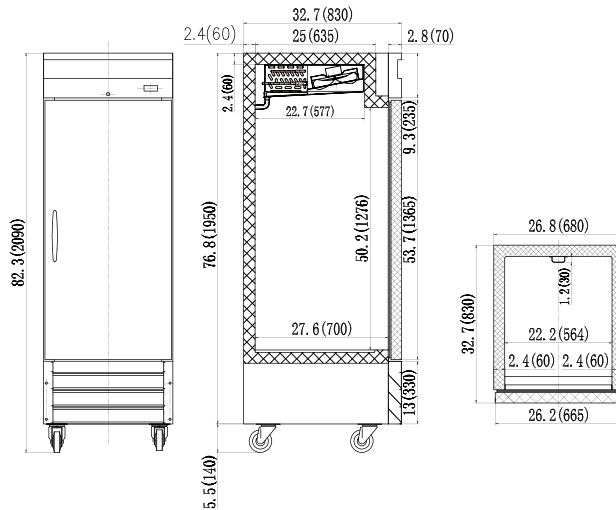


REACH-IN BOTTOM-MOUNT SERIES FREEZERS

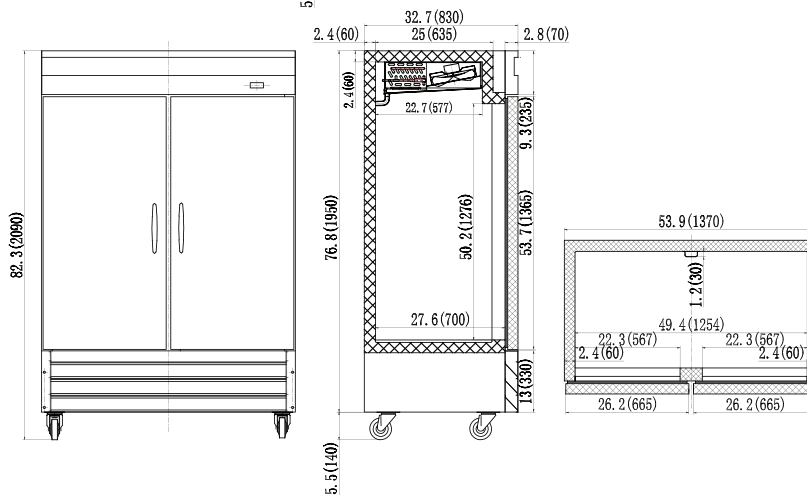


Dimensions in inches (mm)

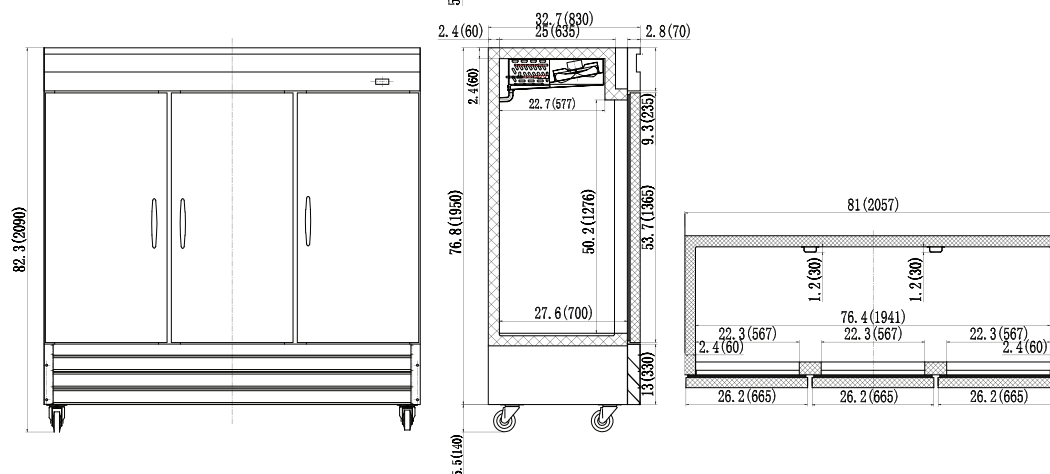
IB27F*



IB54F*



IB81F DV



REACH-IN BOTTOM-MOUNT SERIES REFRIGERATORS GLASS DOORS

Features

- CFC free refrigerant and foam insulation
- Electronic thermostat and digital LED temperature display for accurate control and easy reading
- 4 adjustable, heavy-duty epoxy coated wire shelves per door
- Clip-on shelf tag holders
- Condensate heating element built into condensate pan for efficient evaporation of excess water
- Easy to mount 4" casters (lockable in front) are standard with all units
- Self-closing doors that remain open at 90 degrees
- Magnetic gasket can be replaced without any tools
- Exterior: 430 stainless steel, door & front panel: 202 stainless steel
- Interior: 304 stainless steel
- R-290 Natural refrigerant
- Temperature: 33 to 40°F / 0.5 to 4°C
- Electrical: 115/60/1 with NEMA 5-15P plug, 10ft cord



IB27RG



IB54RG

Specifications

DESIGNED TO OPERATE IN AMBIENT TEMPERATURES BETWEEN 40F-90F FOR OPTIMUM PERFORMANCE.



Certified to ANSI/NSF-7 Standards

Model	Doors	Ext. Dimensions W X D X H (In)	Int.. Dimensions W X D X H (In)	Amps	H.P	Ship Weight
IB27RG	1	26.8 X 31.9 X 82.3	22.2 X 27.6 X 50.2	3	1/5	366 lbs
IB54RG	2	53.9 X 31.9 X 82.3	49.4 X 27.6 X 50.2	4.5	1/4	598 lbs

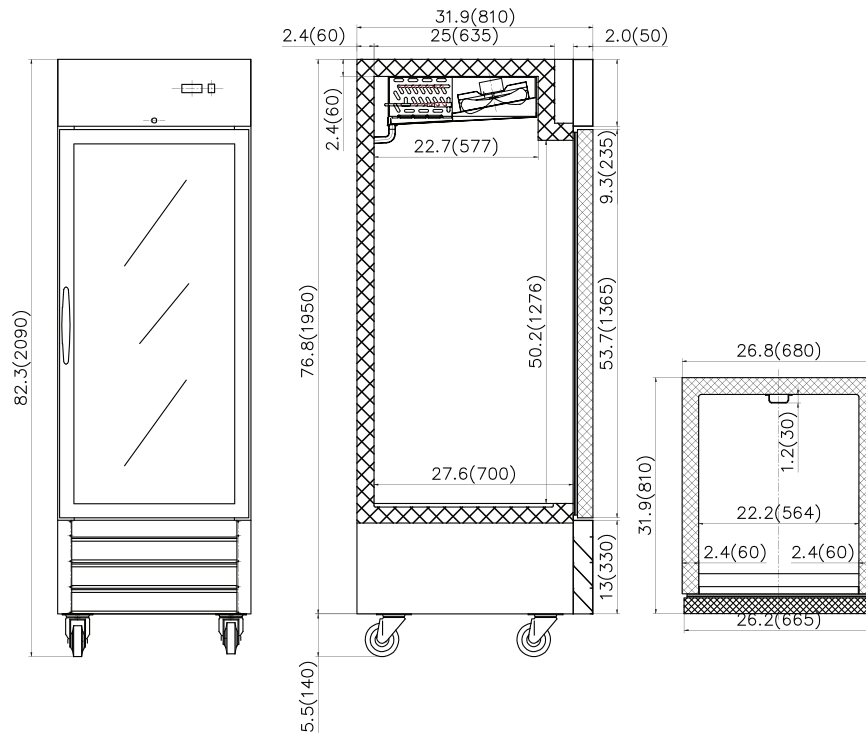
REACH-IN BOTTOM-MOUNT SERIES REFRIGERATORS GLASS DOORS



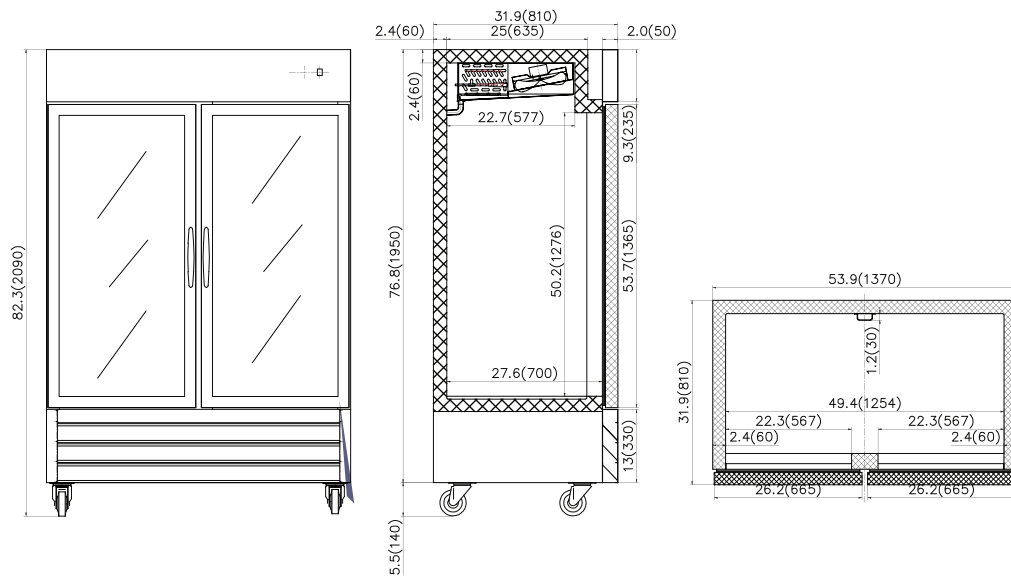
Certified to ANSI/NSF-7 Standards

Dimensions in inches (mm)

IB27RG



IB54RG





REACH-IN BOTTOM-MOUNT SERIES FREEZERS GLASS DOORS

Features

- CFC free refrigerant and foam insulation
- Electronic thermostat and digital LED temperature display for accurate control and easy reading
- 4 adjustable, heavy-duty epoxy coated wire shelves per door
- Clip-on shelf tag holders
- Condensate heating element built in door frame to eliminate condensation
- Easy to mount 4" casters (lockable in front) are standard with all units
- Self-closing doors that remain open at 90 degrees
- Locking doors on all units
- Magnetic gasket can be replaced without any tools
- Exterior: 430 stainless steel, door & front panel: 202 stainless steel
- Interior: 304 stainless steel
- Refrigerant: R-290 Natural refrigerant
- Temperature: 0 to 10°F / -17 to -23°C
- Electrical: 115/60/1 with NEMA 5-15P plug, 10ft cord



NEMA
5-15P



IB27FG



IB54FG

Specifications

DESIGNED TO OPERATE IN AMBIENT TEMPERATURES BETWEEN 40F-90F FOR OPTIMUM PERFORMANCE.



Certified to ANSI/NSF-7 Standards

Model	Doors	Ext. Dimensions W X D X H (In)	Int.. Dimensions W X D X H (In)	Amps	H.P	Ship Weight
IB27FG	1	26.8 X 33.1 X 83.1	22.2 X 27.7 X 59.4	8	1/2	366 lbs
IB54FG	2	53.9 X 33.7 X 82.7	49.4 X 27.8 X 59.7	9	1	598 lbs

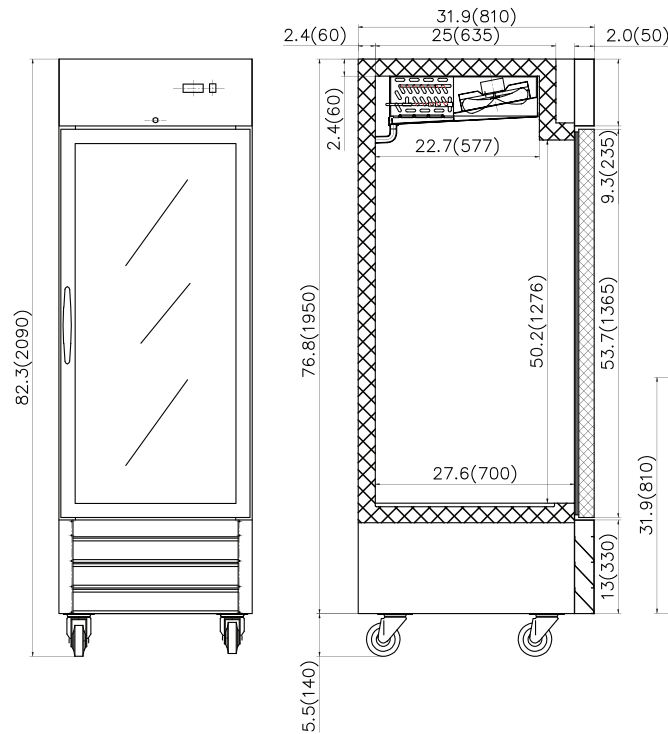
REACH-IN BOTTOM-MOUNT SERIES FREEZERS GLASS DOORS



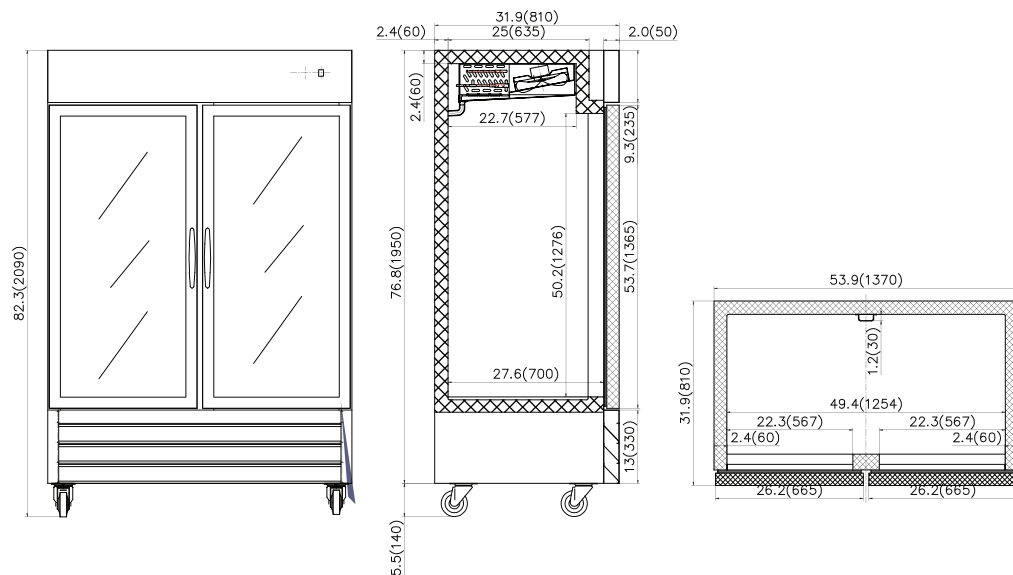
Certified to ANSI/NSF-7 Standards

Dimensions in inches (mm)

IB27FG



IB54FG





REACH-IN TOP-MOUNT SERIES REFRIGERATORS

Features

- CFC free refrigerant and foam insulation
- Electronic thermostat and digital LED temperature display for accurate control and easy reading
- 3 adjustable, heavy-duty epoxy coated wire shelves per door
- Condensate heating element built into condensate pan for efficient evaporation of excess water
- Easy to mount 4" casters (lockable in front) are standard with all units
- Locking doors on all units. IT28R door swing is field reversible
- Self-closing doors that remain open at 90 degrees
- Magnetic gasket can be replaced without any tools
- Exterior: 430 stainless steel, door & front panel: 202 stainless steel
- Interior: 304 stainless steel
- R-290 Natural refrigerant
- Temperature: 33 to 40°F / 0.5 to 4°C
- Electrical: 115/60/1 with NEMA 5-15P plug, 10ft cord



NEMA
5-15P



IT28R*



IT56R*



IT82R

Specifications

DESIGNED TO OPERATE IN AMBIENT TEMPERATURES BETWEEN 40F-90F FOR OPTIMUM PERFORMANCE.



Certified to ANSI/NSF-7 Standards

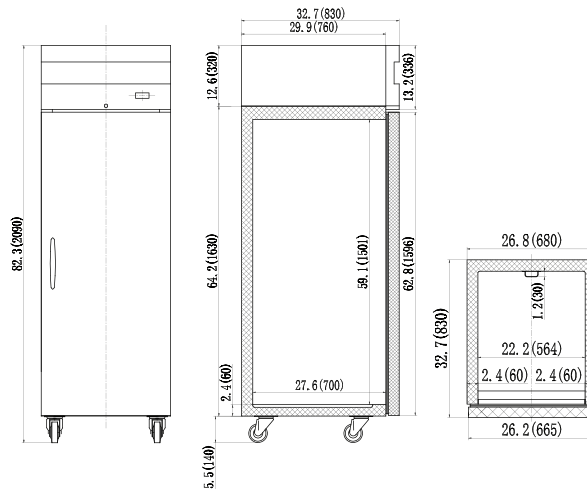
Model	Doors	Ext. Dimensions W X D X H (In)	Int.. Dimensions W X D X H (In)	Amps	H.P	Ship Weight
IT28R*	1	26.8 X 32.7 X 82.3	22.2 X 27.6 X 59.1	3	1/5	307 lbs
IT56R*	2	53.9 X 32.7 X 82.3	49.4 X 27.6 X 59.1	4.5	1/4	490 lbs
IT82R	3	81.0 X 32.7 X 82.3	76.4 X 27.6 X 59.1	7	1/2	598 lbs

REACH-IN TOP-MOUNT SERIES REFRIGERATORS

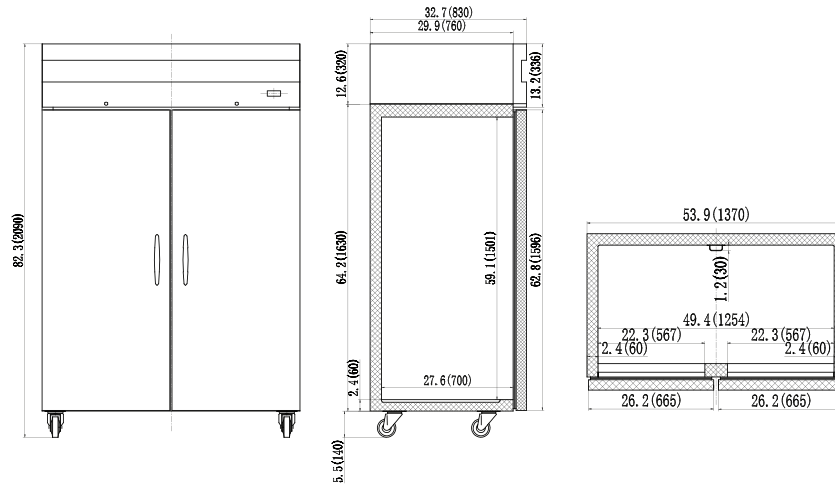


Dimensions in inches (mm)

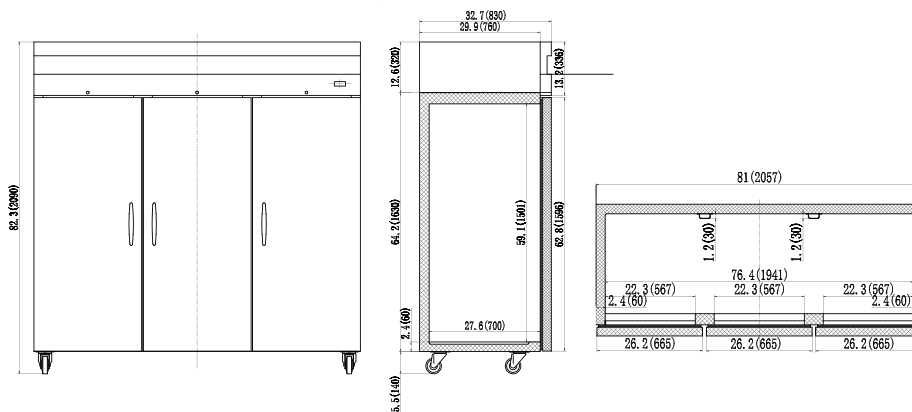
IT28R*



IT56R*



IT82R



REACH-IN TOP-MOUNT SERIES FREEZERS

Features

- CFC free refrigerant and foam insulation
- Electronic thermostat and digital LED temperature display for accurate control and easy reading
- 3 adjustable, heavy-duty epoxy coated wire shelves per door
- Condensate heating element built into condensate pan for efficient evaporation of excess water
- Easy to mount 4" casters (lockable in front) are standard with all units
- Freezer door frames have integral factory installed heating element to eliminate condensation
- Locking doors on all units. IT28F door swing is field reversible
- Self-closing doors that remain open at 90 degrees
- Magnetic gasket can be replaced without any tools
- Exterior: 430 stainless steel, door & front panel: 202 stainless steel
- Interior: 304 stainless steel
- Temperature: 0 to -10°F / -17 to -23°C
- Electrical: 115/60/1 with NEMA 5-15P plug • IT82F DV: 115/208-230/60/1 with NEMA L14-20P plug, 10ft cord



IT28F



NEMA
5-15P



IT56F*



NEMA
L14-20P



IT82F DV

Specifications

DESIGNED TO OPERATE IN AMBIENT TEMPERATURES BETWEEN 40F-90F FOR OPTIMUM PERFORMANCE.



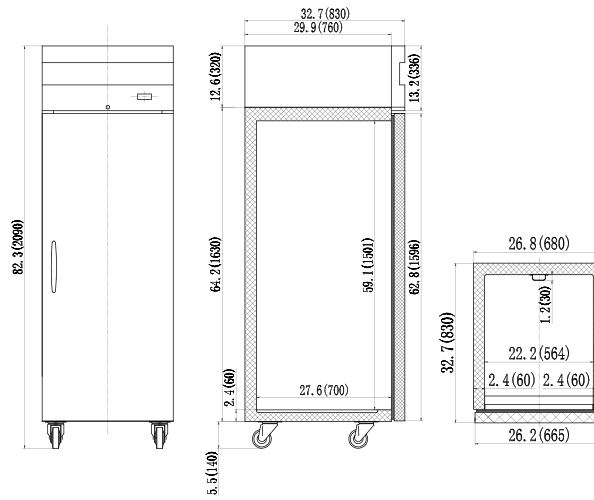
Model	Doors	Ext. Dimensions W X D X H (In)	Int.. Dimensions W X D X H (In)	Amps	H.P	Ship Weight
IT28F	1	26.8 X 32.7 X 82.3	22.2 X 27.6 X 59.1	11	5/8	329 lbs
IT56F*	2	53.9 X 32.7 X 82.3	49.4 X 27.6 X 59.1	12	1	501 lbs
IT82F DV	3	81.0 X 32.7 X 82.3	76.4 X 27.6 X 59.1	8	1-1/4	625 lbs

REACH-IN TOP-MOUNT SERIES FREEZERS

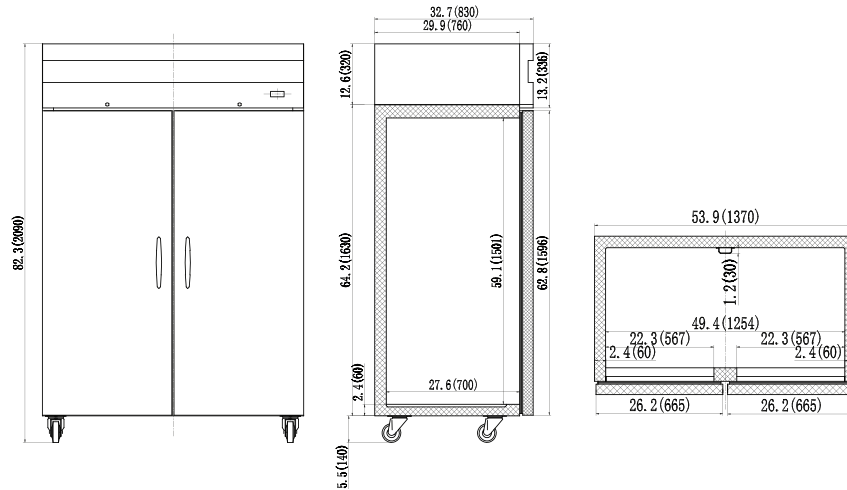


Dimensions in inches (mm)

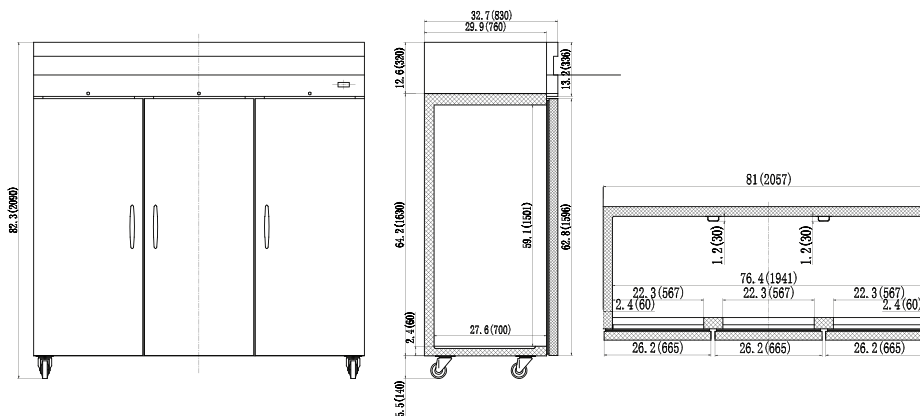
IT28F



IT56F*



IT82F DV





UNDER COUNTER REFRIGERATORS

Features

- CFC free refrigerant and foam insulation
- Electronic thermostat and digital LED temperature display for accurate control and easy reading
- Easy to mount 2.5" casters (lockable in front) are standard with all units
- Self-closing doors that remain open at 90 degrees
- Magnetic gasket can be replaced without any tools
- Adjustable, heavy-duty epoxy coated wire shelves (one per door)
- Stainless steel framework construction
- Auto defrosting and auto evaporation of condensation water
- Interior: side panel: ABS plastic, bottom: 304 stainless steel, balance in aluminum
- R-600A Natural refrigerant Models IUC28 IUC48 IUC61
- R-290 Natural refrigerant Model IUC72
- Temperature: 33 to 40°F / 0.5 to 4°C
- Electrical: 115/60/1 with NEMA 5-15P plug, 10ft cord



NEMA 5-15P



IUC28R



IUC48R



IUC61R



IUC72R

Options - Drawers**

IUC28R-2D | IUC48R-2D | IUC61R-2D | IUC48R-4D | IUC61R-4D

See page 39 for pan configurations for units with drawers.

**Available by custom order only. Please contact our Sales Department for availability and lead time.

Specifications

DESIGNED TO OPERATE IN AMBIENT TEMPERATURES BETWEEN 40F-90F FOR OPTIMUM PERFORMANCE.



*



Certified to ANSI/NSF-7 Standards

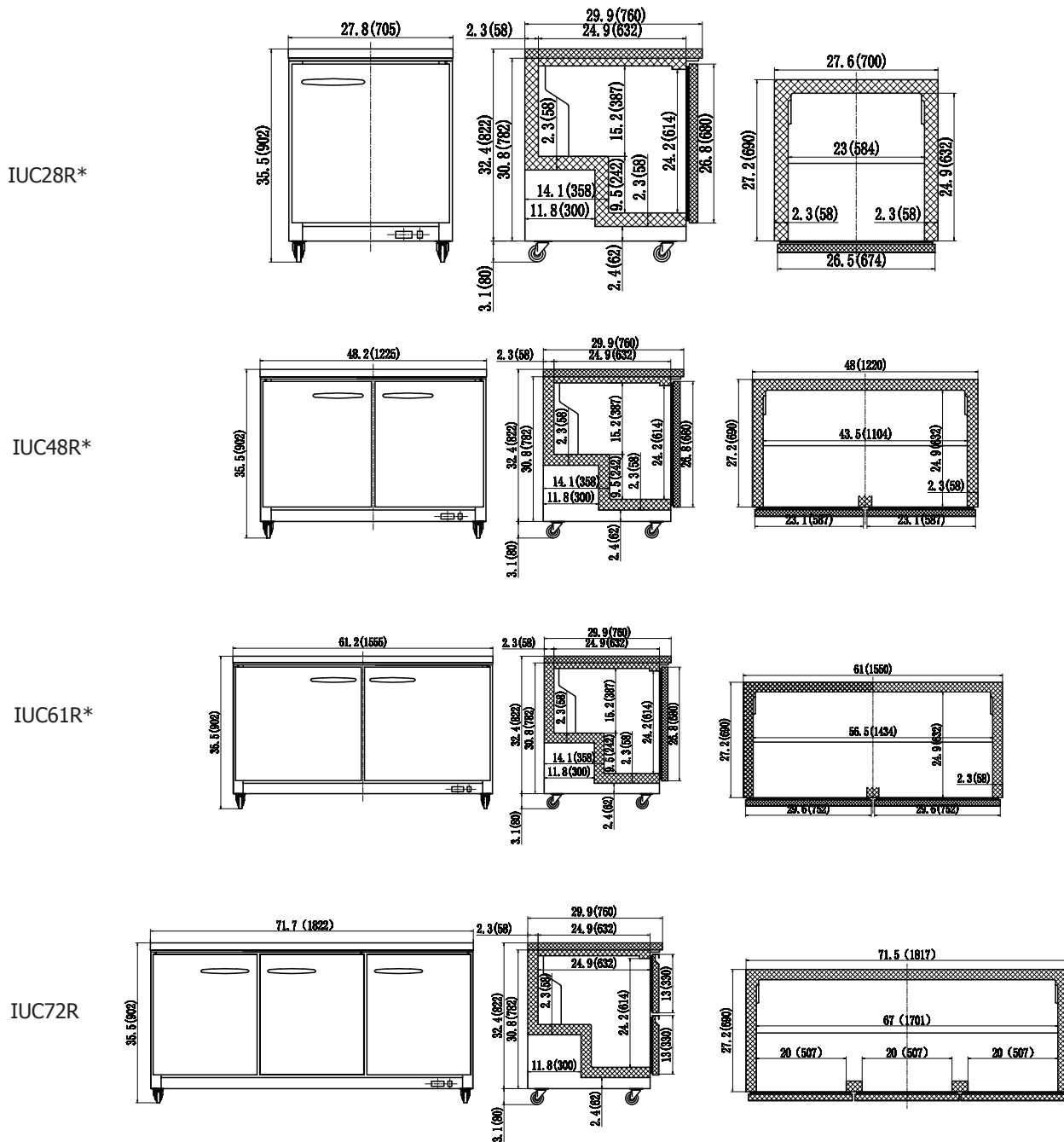
Model	Doors	Ext. Dimensions W X D X H (In)	Int.. Dimensions W X D X H (In)	Amps	H.P	Ship Weight
IUC28R*	1	27.8 X 29.9 X 35.5	23.0 X 24.9 X 24.2	1.5	3/8	199 lbs
IUC48R*	2	48.2 X 29.9 X 35.5	43.5 X 24.9 X 24.2	3	3/8	280 lbs
IUC61R*	2	61.2 X 29.9 X 35.5	56.5 X 24.9 X 24.2	3	3/8	331 lbs
IUC72R	3	71.7 X 29.9 X 35.5	67.0 X 24.9 X 24.2	3.5	3/8	380 lbs

UNDER COUNTER REFRIGERATORS



Certified to ANSI/NSF-7 Standards

Dimensions in inches (mm)



UNDER COUNTER FREEZERS

Features

- CFC free refrigerant and foam insulation
- Electronic thermostat and digital LED temperature display for accurate control and easy reading
- Easy to mount 2.5" casters (lockable in front) are standard with all units
- Self-closing doors that remain open at 90 degrees
- Magnetic gasket can be replaced without any tools
- Adjustable, heavy-duty epoxy coated wire shelves (one per door)
- Stainless steel framework construction
- Auto defrosting and auto evaporation of condensation water
- Freezer door frames have integral factory installed heating element to eliminate condensation
- Exterior: 430 stainless steel, door & front panel: 202 stainless steel
- Interior: side panel: ABS plastic, bottom: 304 stainless steel
- R-290 Natural refrigerant
- Temperature: 0 to -10°F / -17 to -23 °C
- Electrical: 115/60/1 with NEMA 5-15P, 10ft cord



NEMA
5-15P



IUC28F



IUC48F



IUC61F



IUC72F

Specifications

DESIGNED TO OPERATE IN AMBIENT TEMPERATURES BETWEEN 40F-90F FOR OPTIMUM PERFORMANCE.



Certified to ANSI/NSF-7 Standards

Model	Doors	Ext. Dimensions W X D X H (In)	Int.. Dimensions W X D X H (In)	Amps	H.P	Ship Weight
IUC28F	1	27.8 X 29.9 X 35.5	23.0 X 24.9 X 24.2	1.9	1/2	210 lbs
IUC48F	2	48.2 X 29.9 X 35.5	43.5 X 24.9 X 24.2	4	1/2	302 lbs
IUC61F	2	61.2 X 29.9 X 35.5	56.5 X 24.9 X 24.2	5	1/2	353 lbs
IUC72F	3	71.7 X 29.9 X 35.5	67.0 X 24.9 X 24.2	6	5/8	386 lbs

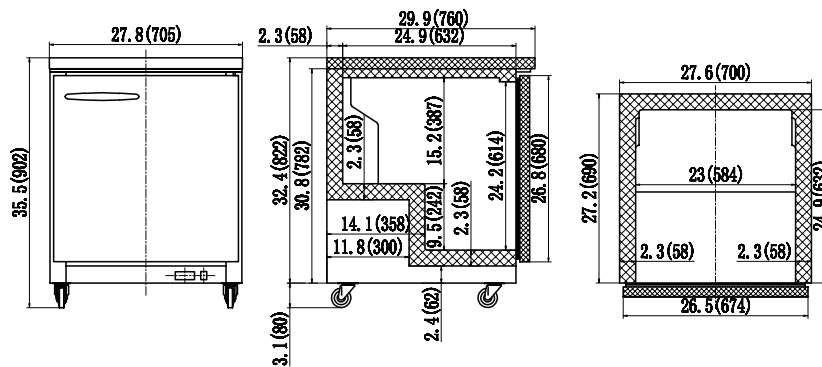
UNDER COUNTER FREEZERS



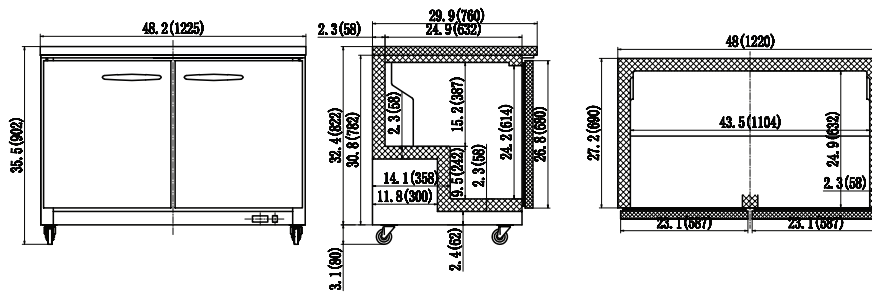
Certified to ANSI/NSF-7 Standards

Dimensions in inches (mm)

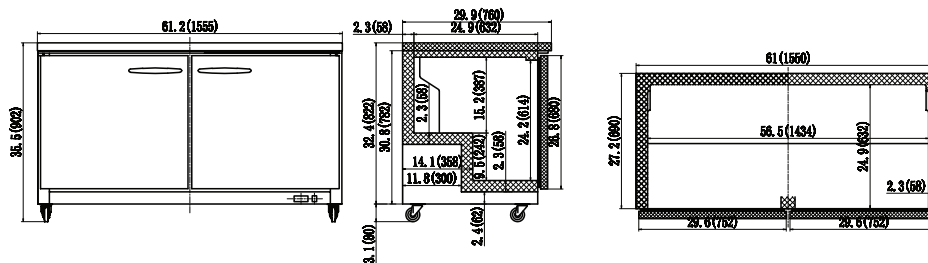
IUC28F



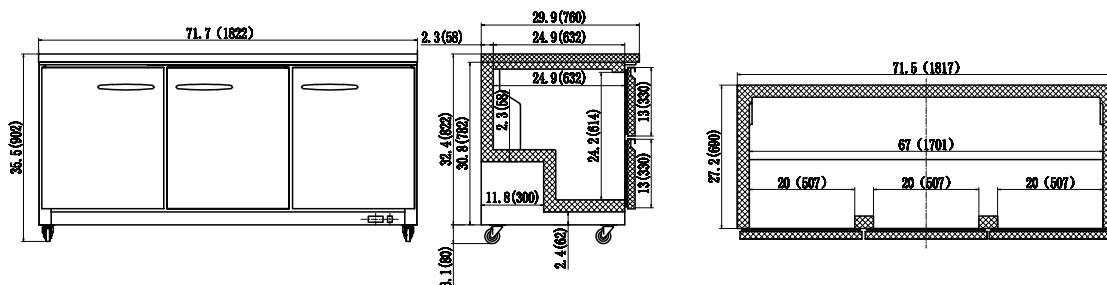
IUC48F



IUC61F



IUC72F





SALAD / SANDWICH PREP TABLES

Features

- CFC free refrigerant and foam insulation
- Electronic thermostat and digital LED temperature display for accurate control and easy reading
- Easy to mount 2.5" casters (two lockable in front) are standard with all units
- Self-closing doors that remain open at 90 degrees
- Magnetic gasket can be replaced without any tools
- Adjustable, heavy-duty epoxy coated wire shelves (one per door)
- Stainless steel framework construction
- Auto defrosting and auto evaporation of condensation water
- 1/6 x 4" Portion Control pans & 11.4" Polyethylene cutting board included
- *Unit can be custom-ordered with 6" PC pans
- Exterior: 430 stainless steel top, front & sides. Aluminum back panel & galvanized bottom
- Interior: 304 stainless steel floor, ABS sides & door backs. Aluminum back panel
- R-290 Natural refrigerant
- Temperature: 33 to 40°F / 0.5 to 4°C
- Electrical: 115/60/1 with NEMA 5-15P plug, 10ft cord



NEMA
5-15P



ISP29



ISP48



ISP61



ISP72

Options - Drawers*

ISP29-2D | ISP48-2D | ISP48-4D | ISP61-2D | ISP61-4D

See page 39 for pan configurations for units with drawers.

**Available by custom order only. Please contact our Sales Department for availability and lead time.

Specifications

DESIGNED TO OPERATE IN AMBIENT TEMPERATURES BETWEEN 40F-90F FOR OPTIMUM PERFORMANCE.



Certified to ANSI/NSF-7 Standards

Model	Doors	Ext. Dimensions W X D X H (In)	Int.. Dimensions W X D X H (In)	Amps	H.P	Ship Weight
ISP29	1	28.9 X 29.9 X 43.2	25.6 X 25.6 X 24.2	3	1/3	225 lbs
ISP48	2	48.2 X 29.9 X 43.2	43.5 X 25.6 X 24.2	4.3	1/2	322 lbs
ISP61	2	61.2 X 29.9 X 43.2	56.5 X 25.6 X 24.2	4.3	1/2	373 lbs
ISP72	3	71.7 X 29.9 X 43.2	67.0 X 25.6 X 24.2	4.3	1/2	408 lbs

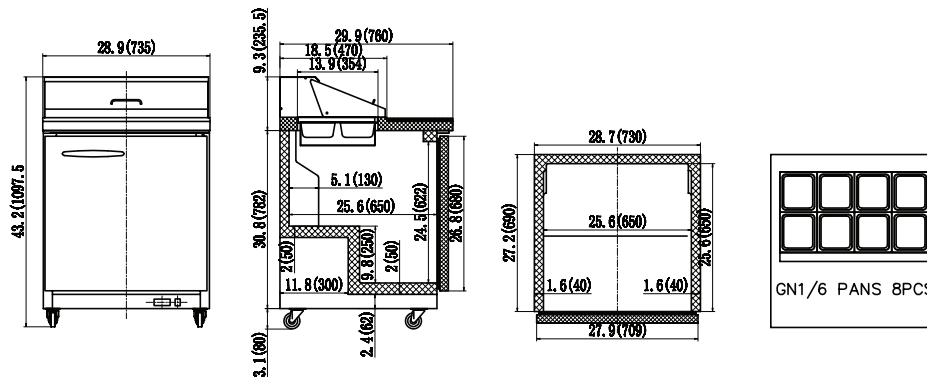
SALAD / SANDWICH PREP TABLES



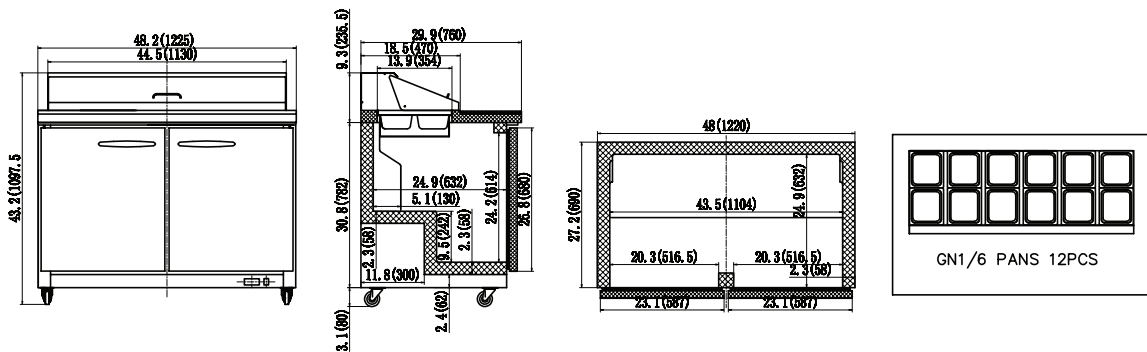
Certified to ANSI/NSF-7 Standards

Dimensions in inches (mm)

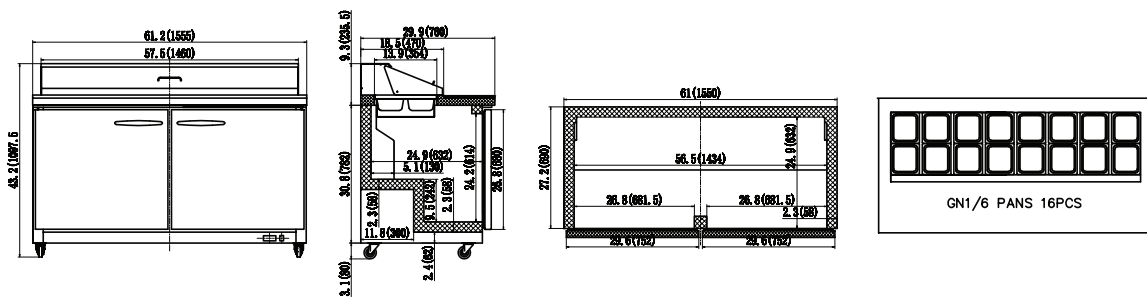
ISP29



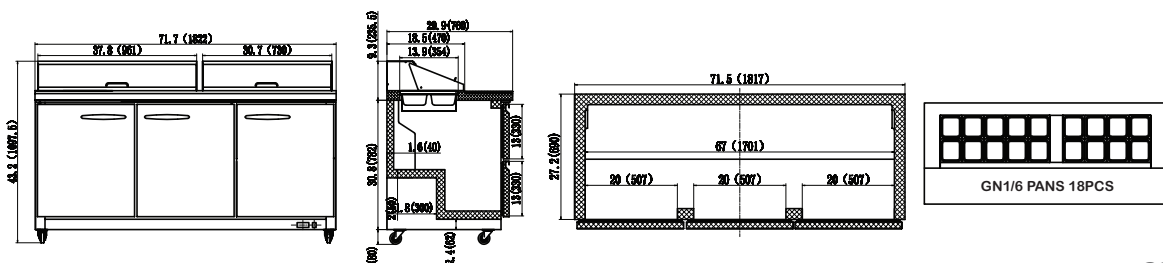
ISP48



ISP61



ISP72





MEGA TOP SALAD / SANDWICH PREP TABLES

Features

- CFC free refrigerant and foam insulation
- Electronic thermostat and digital LED temperature display for accurate control and easy reading
- Easy to mount 2.5" casters (two lockable in front) are standard with all units
- Self-closing doors that remain open at 90 degrees
- Magnetic gasket can be replaced without any tools
- Adjustable, heavy-duty epoxy coated wire shelves (one per door)
- Stainless steel framework construction
- Auto defrosting and auto evaporation of condensation water
- 1/6 x 4" Portion Control pans & 9" Polyethylene cutting board included
- *Unit can be custom-ordered with 6" PC pans
- Exterior: 430 stainless steel top, front & sides. Aluminum back panel & galvanized bottom
- Interior: 304 stainless steel floor, ABS sides & door backs. Aluminum back panel
- R-290 Natural refrigerant
- Temperature: 33 to 40°F / 0.5 to 4°C
- Electrical: 115/60/1 with NEMA 5-15P plug, 10ft cord



NEMA 5-15P



ISP29M



ISP48M



ISP61M



ISP72M

Options - Drawers*

ISP29M-2D | ISP48M-2D | ISP61M-2D | ISP48M-4D | ISP61M-4D

Specifications

DESIGNED TO OPERATE IN AMBIENT TEMPERATURES BETWEEN 40F-90F FOR OPTIMUM PERFORMANCE.



Certified to ANSI/NSF-7 Standards

Model	Doors	Ext. Dimensions W X D X H (In)	Int.. Dimensions W X D X H (In)	Amps	H.P	Ship Weight
ISP29M	1	28.9 X 34.5 X 43.2	25.6 X 25.6 X 24.2	3	1/3	225 lbs
ISP48M	2	48.2 X 34.5 X 43.2	43.5 X 24.9 X 24.2	4.3	1/2	322 lbs
ISP61M	2	61.2 X 34.5 X 43.2	56.5 X 24.9 X 24.2	4.3	1/2	373 lbs
ISP72M	3	71.7 X 34.5 X 43.2	67.0 X 24.9 X 24.2	4.3	1/2	408 lbs

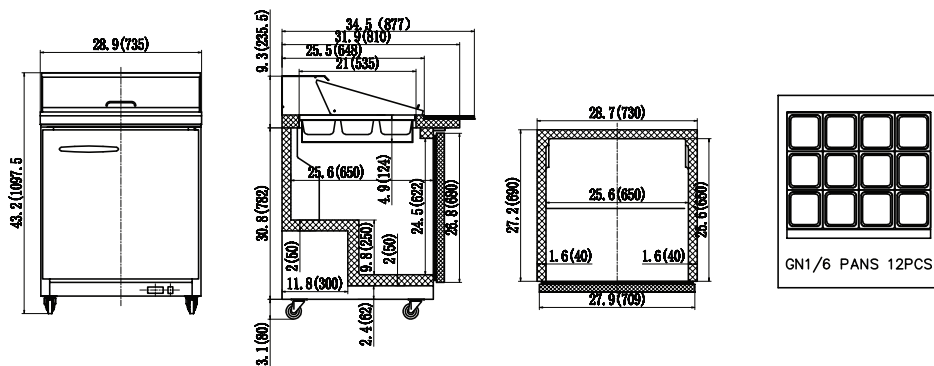
MEGA TOP SALAD / SANDWICH PREP TABLES



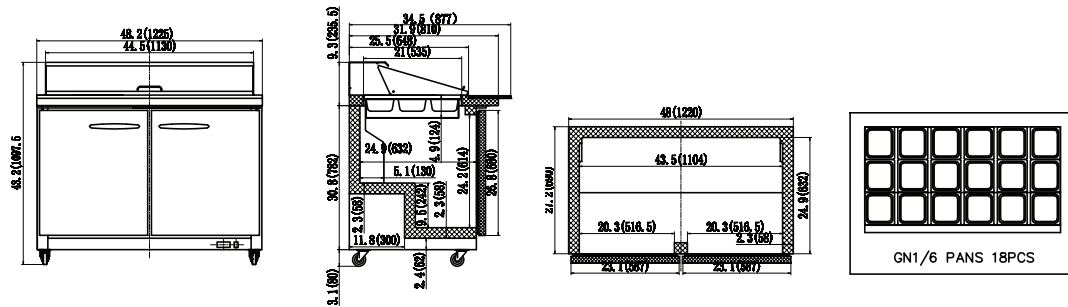
Certified to ANSI/NSF-7 Standards

Dimensions in inches (mm)

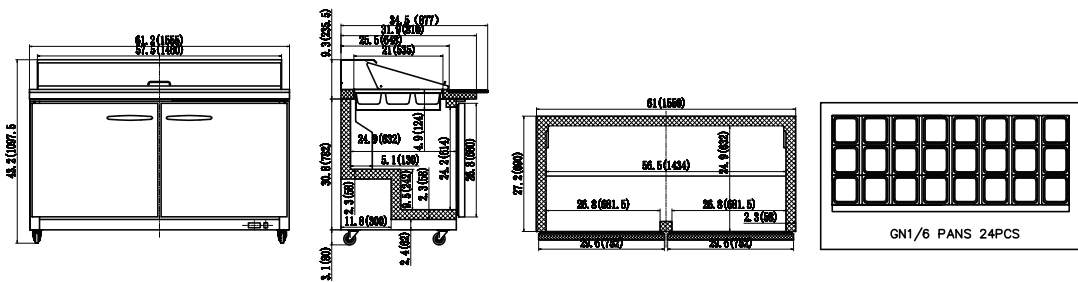
ISP29M



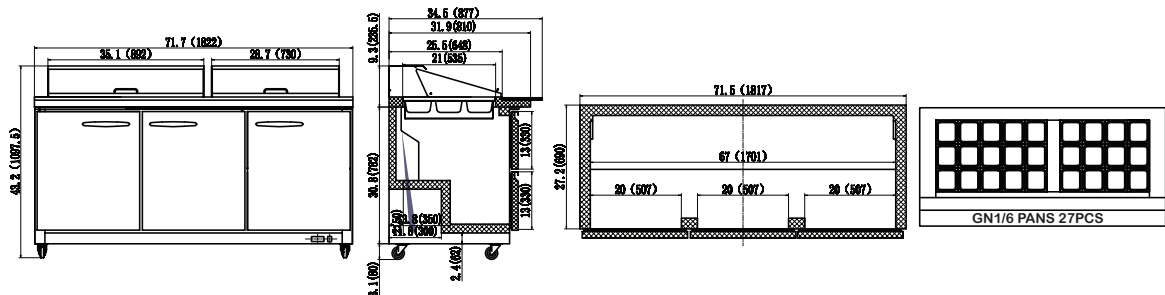
ISP48M



ISP61M



ISP72M



PIZZA PREP TABLES

Features

- CFC free refrigerant and foam insulation
- Electronic thermostat and digital LED temperature display for accurate control and easy reading
- Easy to mount 4" casters (lockable in front) are standard with all units
- Self-closing doors that remain open at 90 degrees
- Magnetic gasket can be replaced without any tools
- Adjustable, heavy-duty epoxy coated wire shelves (one per door)
- Stainless steel framework construction
- Auto defrosting and auto evaporation of condensation water
- 1/3 x 4" Portion Control pans & 14.9" Polyethylene cutting board included
- *Unit can be custom-ordered with 6" PC pans
- Exterior: 430 stainless steel top, front & sides. Aluminum back panel & galvanized bottom
- Interior: 304 stainless steel floor, ABS sides & door backs. Aluminum back panel
- R-290 Natural refrigerant
- Temperature: 33 to 40°F / 0.5 to 4°C
- Electrical: 115/60/1 with NEMA 5-15P plug, 10ft cord



IPP47



IPP71



IPP94

Options - Drawers*

IPP47-2D | IPP71-2D | IPP94-2D | IPP71-4D | IPP94-4D | IPP94-6D

See page 39 for pan configurations for units with drawers.

**Available by custom order only. Please contact our Sales Department for availability and lead time.

Specifications

DESIGNED TO OPERATE IN AMBIENT TEMPERATURES BETWEEN 40F-90F FOR OPTIMUM PERFORMANCE.



Certified to ANSI/NSF-7 Standards

Model	Doors	Ext. Dimensions W X D X H (In)	Int.. Dimensions W X D X H (In)	Amps	H.P	Ship Weight
IPP47	1	47.4 X 32.3 X 41.7	25.7 X 27.3 X 24.2	5	1/2	329 lbs
IPP71	2	70.8 X 32.3 X 41.7	49.1 X 27.3 X 24.2	5	1/2	435 lbs
IPP94	3	94.2 X 32.3 X 41.7	72.6 X 27.3 X 24.2	5.5	3/4	565 lbs

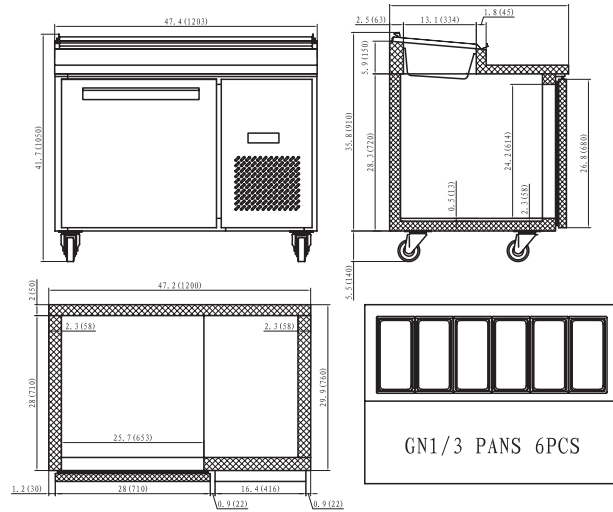
PIZZA PREP TABLES



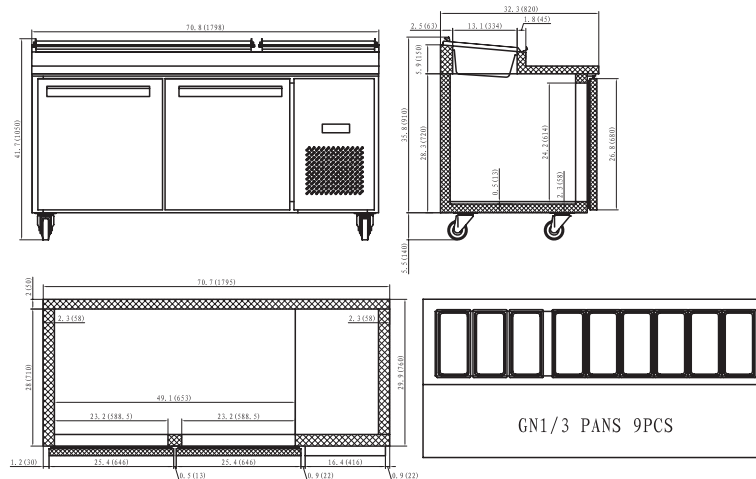
Certified to ANSI/NSF-7 Standards

Dimensions in inches (mm)

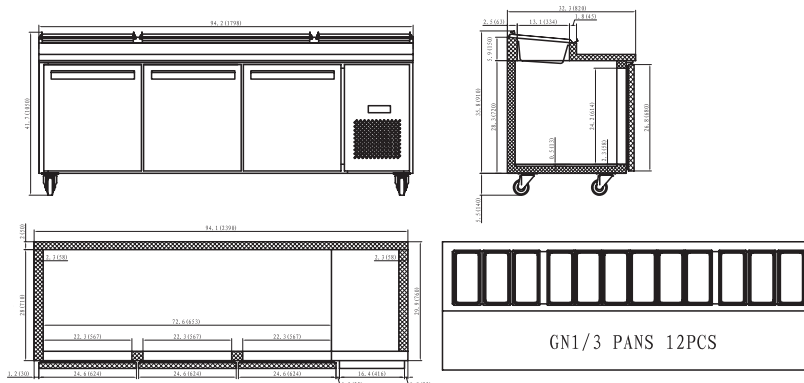
IPP47



IPP71



IPP94



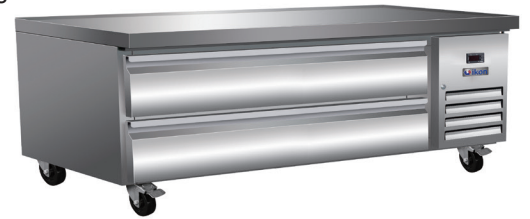
CHEF BASES

Features

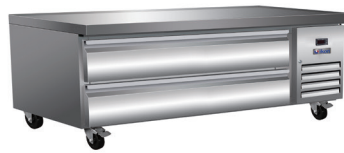
- CFC free refrigerant and foam insulation
- Electronic thermostat and digital LED temperature display for accurate control and easy reading
- Easy to mount 4" casters (two lockable in front) are standard with all units
- Magnetic gasket can be replaced without any tools
- Stainless steel framework construction
- Auto defrosting and auto evaporation of condensation water
- 4" PC pans not included. Note: this unit cannot accommodate 6" PC pans
- Raised marine edge contains spills
- Exterior: 430 stainless steel top, front & sides. Aluminum back panel.
- Interior: Aluminum with a 304 stainless steel floor
- R-290 Natural refrigerant
- Temperature: 33 to 40°F / 0.5 to 4°C
- Electrical: 115/60/1 with NEMA 5-15P plug, 10ft cord



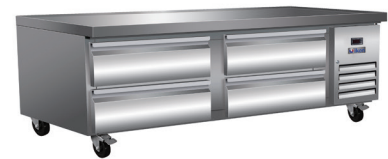
NEMA
5-15P



ICBR-50



ICBR-62



ICBR-74

See page 39 for pan configurations.

Specifications

DESIGNED TO OPERATE IN AMBIENT TEMPERATURES BETWEEN 40F-90F FOR OPTIMUM PERFORMANCE.



Certified to ANSI/NSF-7 Standards

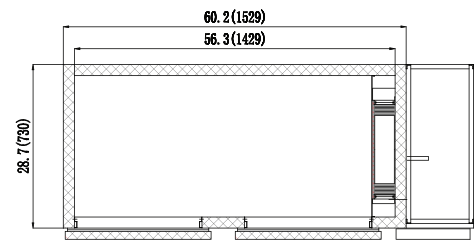
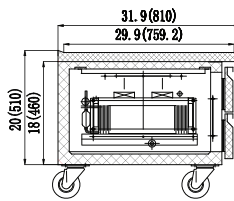
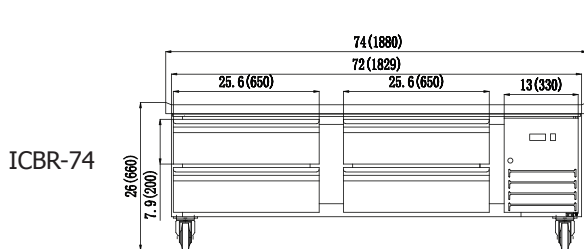
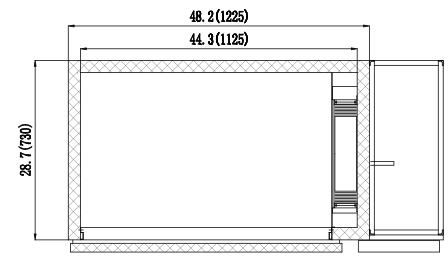
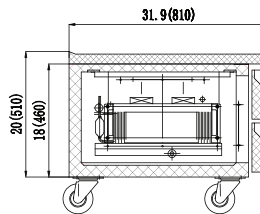
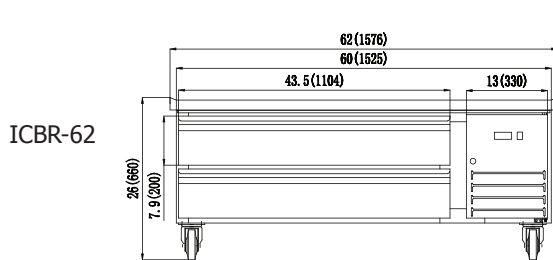
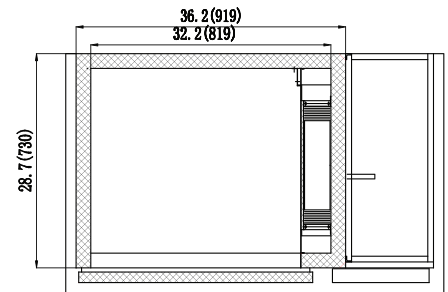
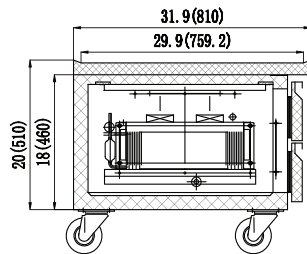
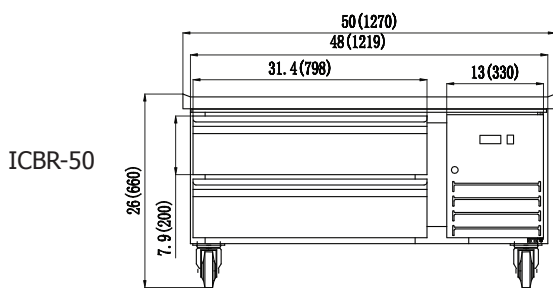
Model	Drawers	Ext. Dimensions W X D X H (In)	Int.. Dimensions W X D X H (In)	Amps	H.P	Ship Weight
ICBR-50	2	50 X 31.9 X 26	25.7 X 27.3 X 24.2	2.1	1/3	162 lbs
ICBR-62	2	62 X 31.9 X 26	49.1 X 27.3 X 24.2	2.1	1/3	200 lbs
ICBR-74	4	74 X 31.9 X 26	72.6 X 27.3 X 24.2	2.1	1/3	232 lbs

CHEF BASES



Certified to ANSI/NSF-7 Standards

Dimensions in inches (mm)



BACK BARS SWING DOORS

Features

- CFC free refrigerant and foam insulation
- Electronic thermostat and digital LED temperature display for accurate control and easy reading
- Stainless steel framework construction
- Magnetic door gaskets can be replaced without any tools
- Doors have lock and key
- Adjustable, heavy-duty epoxy coated wire shelves (two per door)
- Easy to mount 4" casters (two lockable in front) are standard with all units
- Mono-block unit
- Top: 430 stainless steel
- Interior: 430 stainless steel with 304 stainless steel floor
- Exterior: Heavy duty, wear resistant black paint
- Temperature: 33 to 40°F / 0.5 to 4°C
- Electrical: 115/60/1 with NEMA 5-15P plug, 10ft cord
- R-290 Natural refrigerant
- IBB49-2G-24 holds: 48 x 6 pks of 12 oz. cans or 216 12 oz. bottles
- IBB61-2G-24 holds: 72 x 6 pks of 12 oz. cans or 324 12 oz. bottles
- IBB73-3G-24 holds: 84 x 6 pks of 12 oz. cans or 378 12 oz. bottles



NEMA
5-15P



IBB49-2G-24



IBB61-2G-24



IBB73-3G-24

Specifications

DESIGNED TO OPERATE IN AMBIENT TEMPERATURES BETWEEN 40F-90F FOR OPTIMUM PERFORMANCE.



Certified to ANSI/NSF-7 Standards

Model	Doors	Ext. Dimensions W X D X H (In)	Int.. Dimensions W X D X H (In)	Amps	H.P	Ship Weight
IBB49-2G-24	2	49.1 X 24.4 X 41.7	36 X 20.01 X 29.37	3	0.40	307 lbs
IBB61-2G-24	2	61.1 X 24.4 X 41.7	48 X 20.01 X 29.37	3	0.40	358 lbs
IBB73-3G-24	3	73.1 X 24.4 X 41.7	60 X 20.01 X 29.37	3	0.43	417 lbs

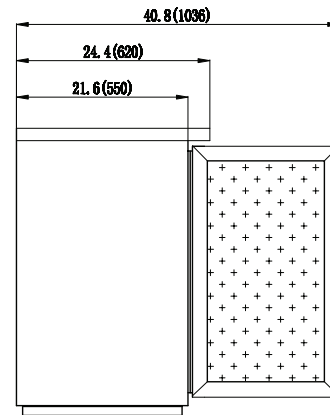
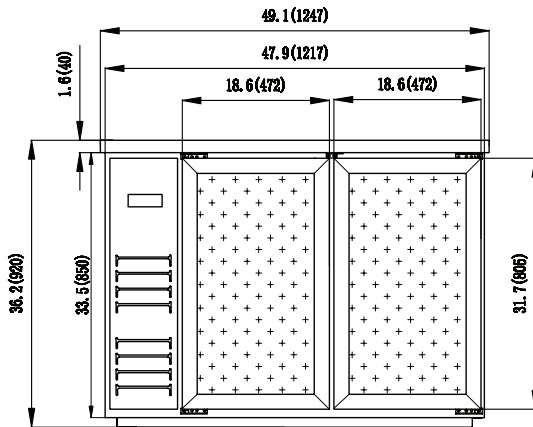
BACK BARS SWING DOORS



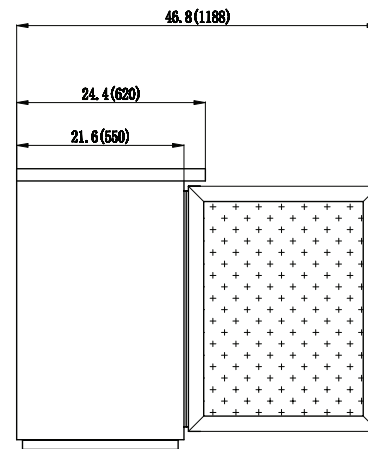
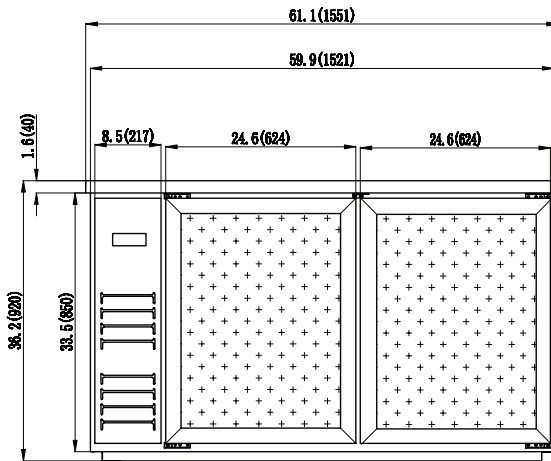
Certified to ANSI/NSF-7 Standards

Dimensions in inches (mm)

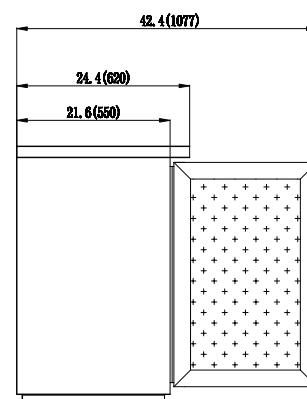
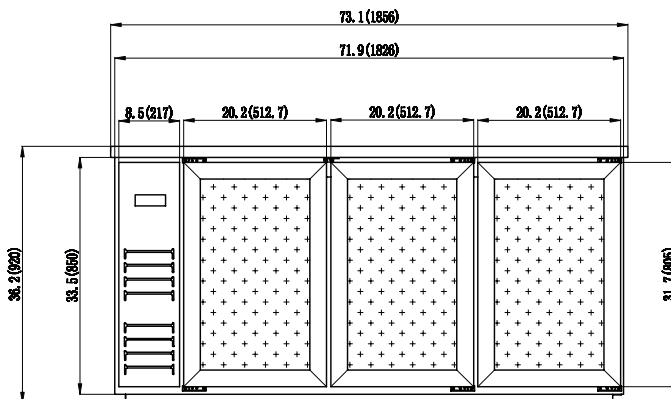
IBB49-2G-24



IBB61-2G-24



IBB73-3G-24



BACK BARS SLIDING DOORS

Features

- CFC free refrigerant and foam insulation
- Electronic thermostat and digital LED temperature display for accurate control and easy reading
- Stainless steel framework construction
- Positive seal gaskets
- Doors have lock and key
- Adjustable, heavy-duty epoxy coated wire shelves (two per door)
- Easy to mount 4" casters (two lockable in front) are standard with all units
- Top: 430 stainless steel
- Interior: 430 stainless steel interior with 304 stainless steel floor
- Exterior: Heavy duty, wear resistant black paint
- R-290 Natural refrigerant
- Temperature: 33 to 40°F / 0.5 to 4°C
- Electrical: 115/60/1 with NEMA 5-15P plug, 10ft cord
- IBB49-2G-24SD holds: 48 x 6 pks of 12 oz. cans or 216 12 oz. bottles
- IBB61-2G-24SD holds: 72 x 6 pks of 12 oz. cans or 324 12 oz. bottles



NEMA
5-15P



IBB49-2G-24SD



IBB61-2G-24SD

Specifications

DESIGNED TO OPERATE IN AMBIENT TEMPERATURES BETWEEN 40F-90F FOR OPTIMUM PERFORMANCE.



 Certified to ANSI/NSF-7 Standards

Model	Doors	Ext. Dimensions W X D X H (In)	Int.. Dimensions W X D X H (In)	Amps	H.P	Ship Weight
IBB49-2G-24SD	2	49.1 x 24.4 x 41.7	36 x 20.01 x 29.37	3	0.40	298 lbs
IBB61-2G-24SD	2	61.1 x 24.4 x 41.7	47.99 x 20.01 x 29.37	3	0.40	340 lbs

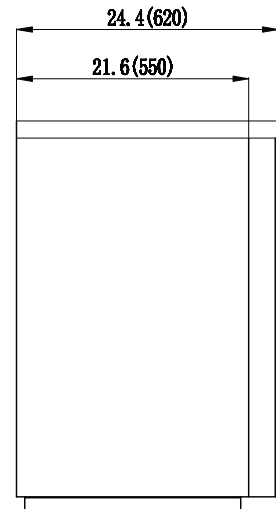
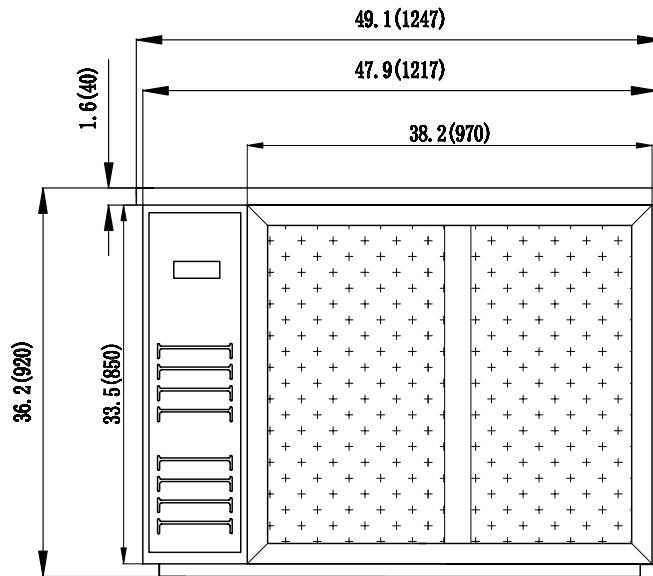
BACK BARS SLIDING DOORS



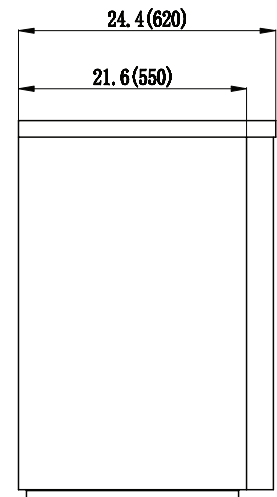
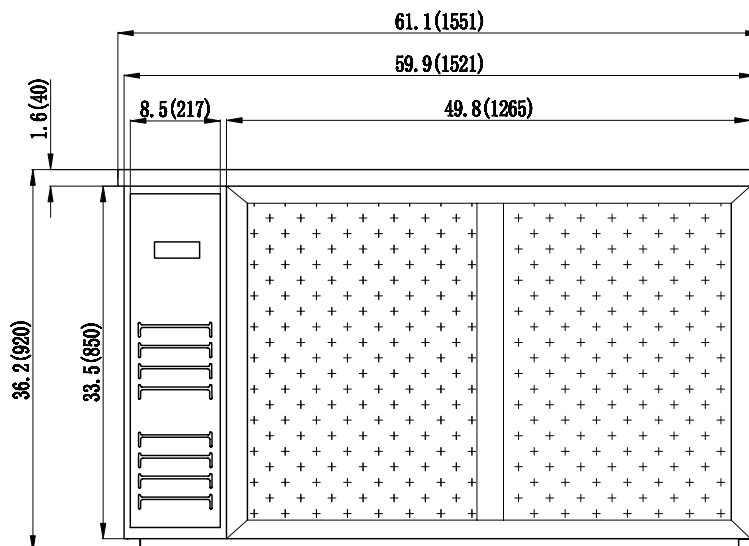
Certified to ANSI/NSF-7 Standards

Dimensions in inches (mm)

IBB49-2G-24SD



IBB61-2G-24SD



BOTTLE COOLERS

Features

- CFC free refrigerant and foam insulation
- Electronic thermostat and digital LED temperature display for accurate control and easy reading
- Easy to mount 1" wheels are standard with all units
- Stainless steel framework construction
- Forced-air cooling
- Doors have lock and key
- Adjustable dividers included, Self-defrosting evaporator
- Bottle cap opener & cap catcher standard
- Top: 430 stainless steel
- Interior: 304 stainless steel
- Exterior: Heavy duty, wear resistant black paint
- R-290 Natural refrigerant Model IBC95
- R-600A Natural refrigerant Models IBC49 IBC64
- Temperature: 33 to 41°F / 0.5 to 4°C
- Electrical: 115/60/1 with NEMA 5-15P plug, 10ft cord
- IBC-49 holds: 22.0 x 12 oz. cans or 18 x 12 oz. bottles
- IBC-64 holds: 32.5 x 12 oz. cans or 22 x 12 oz. bottles
- IBC-95 holds: 55.5 x 12 oz. cans or 38 x 12 oz. bottles



NEMA 5-15P



IBC-49



IBC-64



IBC-95

Specifications

DESIGNED TO OPERATE IN AMBIENT TEMPERATURES BETWEEN 40F-90F FOR OPTIMUM PERFORMANCE.



 Certified to ANSI/NSF-7 Standards

Model	Doors	Ext. Dimensions W X D X H (In)	Int.. Dimensions W X D X H (In)	CU. FT.	Amps	H.P	Ship Weight
IBC-49	2	49.4 x 27 x 35	29.1 x 23 x 28.5	13.5	3	1/2	309 lbs
IBC-64	2	64.3 x 27 x 35	44.1 x 23 x 28.5	18.5	3	1/2	353 lbs
IBC-95	3	95.3 x 27 x 35	75 x 23 x 28.5	30.3	3	1/2	439 lbs

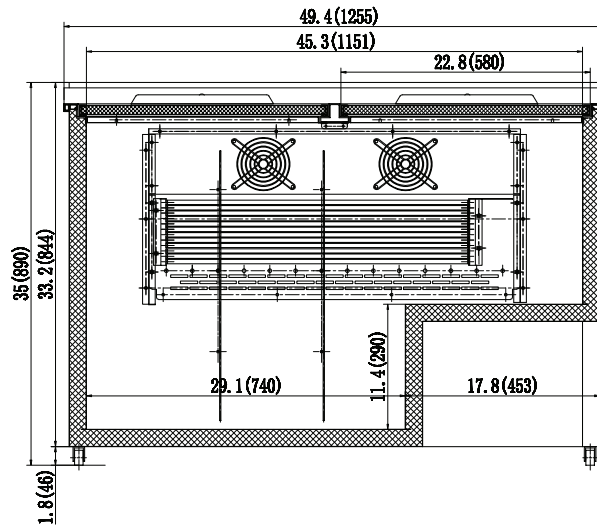
BOTTLE COOLERS



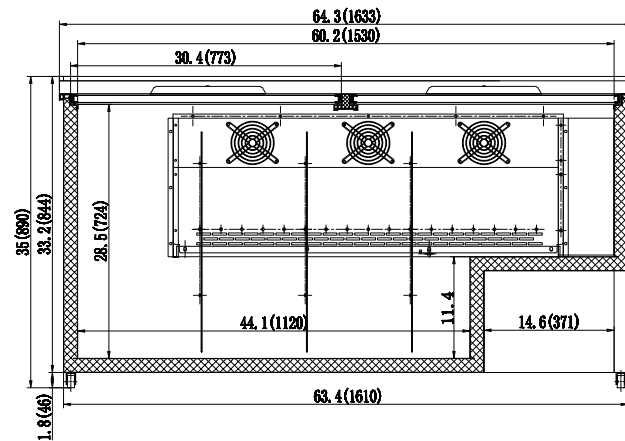
Certified to ANSI/NSF-7 Standards

Dimensions in inches (mm)

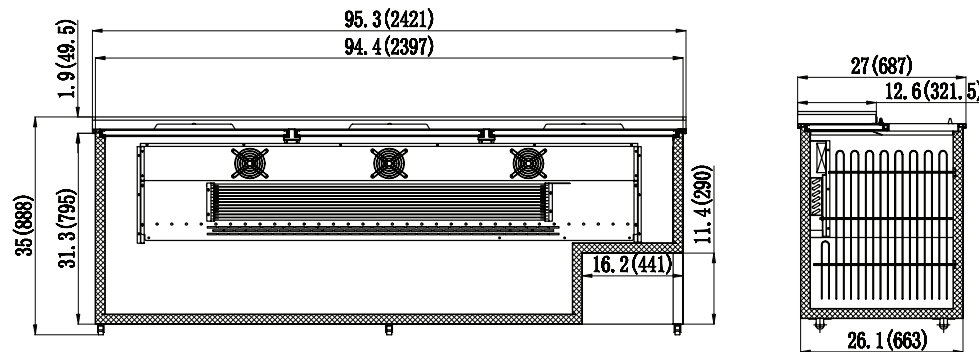
IBC-49



IBC-64



IBC-95



GLASS CHILLERS

Features

- CFC free refrigerant and foam insulation
- Electronic thermostat and digital LED temperature display for accurate control and easy reading
- Easy to mount 1" wheels are standard with all units
- Stainless steel framework construction
- Forced-air cooling
- Doors have lock and key
- Two shelves included
- Self-defrosting evaporator
- Top: 430 stainless steel
- Interior: 304 stainless steel
- Exterior: Heavy duty, wear resistant black paint
- Temperature: -4 to -5°F / -20 to -21°C
- Electrical: 115/60/1 with NEMA 5-15P plug, 10ft cord
- R-290 Natural refrigerant



IGC-24



IGC-36

Specifications

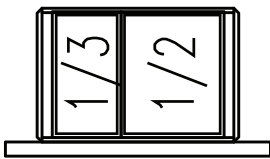


Certified to ANSI/NSF-7 Standards

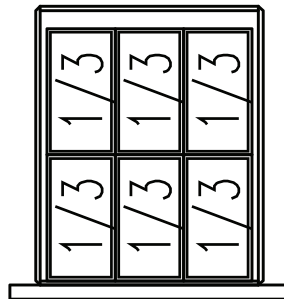
Model	Doors	Ext. Dimensions W X D X H (In)	Int.. Dimensions W X D X H (In)	CU. FT.	Amps	H.P	Ship Weight
IGC-24	1	24.0" x 27.0" x 34.8	18.9" x 22.0" x 16.9"	2.67	2	1/2	133 lbs
IGC-36	1	36.8" x 27.0" x 34.8"	31.8" x 22.0" x 16.9"	4.50	2	1/2	172 lbs

PAN CONFIGURATIONS FOR UNITS WITH DRAWERS

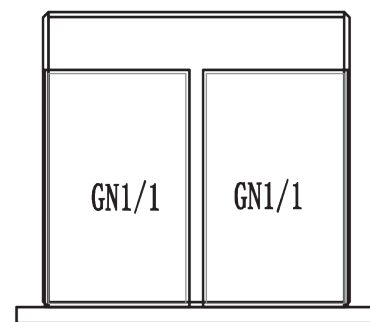
IUC28



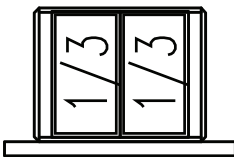
IPP47



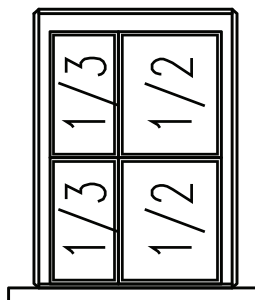
ICBR-50



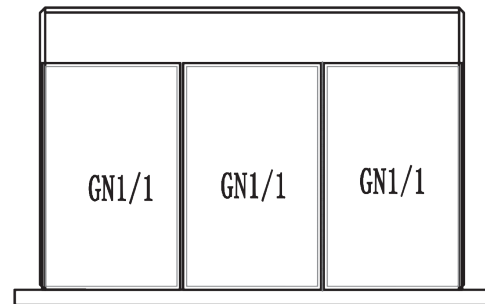
IUC48
ISP48
ISP48M



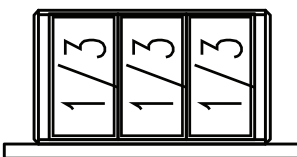
IPP71



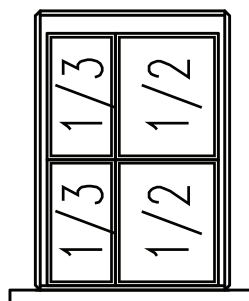
ICBR-62



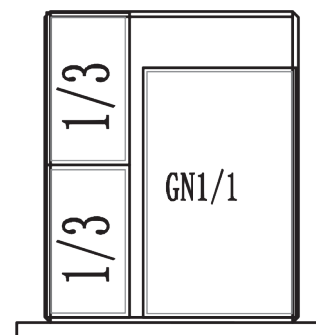
IUC61
ISP61
ISP61M



IPP94

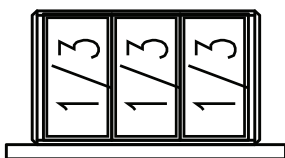


ICBR-74



ISP29

ISP29M





IKON ACCESSORIES

MVP	Shelves L+R	QTY	Shelf Middle	QTY	Shelf Clips	Caster Size	Swivel caster	Locking Caster
ICBR50	-	-	-	-	-	4"	107-5145	107-5146
ICBR62	-	-	-	-	-	4"	107-5145	107-5146
ICBR74	-	-	-	-	-	4"	107-5145	107-5146
IB27F	107-0077	3	-	-	107-0007	4"	107-5145	107-5146
IB27FG	-	3	-	-	107-0007	4"	107-5145	107-5146
IB27R	107-0077	3	-	-	107-0007	4"	107-5145	107-5146
IB27RG	-	3	-	-	107-0007	4"	107-5145	107-5146
IT28F	107-5053	3	-	-	107-0007	4"	107-5145	107-5146
IT28R	107-5053	3	-	-	107-0007	4"	107-5145	107-5146
IB54F	107-0008	6	-	-	107-0007	4"	107-5145	107-5146
IB54FG	-	-	-	-	107-0007	4"	107-5145	107-5146
IB54R	107-0008	6	-	-	107-0007	4"	107-5145	107-5146
IB54RG	-	-	-	-	107-0007	4"	107-5145	107-5146
IT56F	107-0008	6	-	-	107-0007	4"	107-5145	107-5146
IT56R	107-0008	6	-	-	107-0007	4"	107-5145	107-5146
IB81R	107-0008	6	107-0092	3	107-0007	4"	107-5145	107-5146
IT82R	107-0008	6	107-5121	3	107-0007	4"	107-5145	107-5146
IBC49	107-5435 DIVIDER	2	-	-	-	1"	107-0056	-
IBC64	107-5435 DIVIDER	3	-	-	-	1"	107-0056	-
IBC95	107-5435 DIVIDER	5	-	-	-	1"	107-0056	-
IBB49-2G-24	107-5486	4	-	-	107-0007	4"	107-5145	107-5146
IBB61-2G-24	107-5516	4	-	-	107-0007	4"	107-5145	107-5146



IKON ACCESSORIES

MVP	Shelves L+R	QTY	Shelf Middle	QTY	Shelf Clips	Caster Size	Swivel caster	Locking Caster
IBB73-3G-24	107-5528	6	-	-	107-0007	4"	107-5145	107-5146
IUC28R	107-5318	1	-	-	107-0007	2.5"	107-5298N	107-5295N
IUC28F	107-5318	1	-	-	107-0007	2.5"	107-5298N	107-5295N
IUC48R	107-5346	2	-	-	107-0007	2.5"	107-5298N	107-5295N
IUC48F	107-5346	2	-	-	107-0007	2.5"	107-5298N	107-5295N
IUC61R	107-5371	2	-	-	107-0007	2.5"	107-5298N	107-5295N
IUC61F	107-5371	2	-	-	107-0007	2.5"	107-5298N	107-5295N
IUC72R	107-5346	2	107-5399	1	107-0007	2.5"	107-5298N	107-5295N
IUC72F	107-5346	2	107-5399	1	107-0007	2.5"	107-5298N	107-5295N
IB81F-DV	107-0008	6	107-0092	3	107-0007	4"	107-5145	107-5146
IT82F-DV	107-0008	6	107-5121	3	107-0007	4"	107-5145	107-5146
IBB49-2G-24SD	107-5486	4	-	-	107-0007	4"	107-5145	107-5146
IBB61-2G-24SD	107-5516	4	-	-	107-0007	4"	107-5145	107-5146
IPP47	107-5178	1	-	-	107-0007	4"	107-5145	107-5146
IPP71	107-5194	2	-	-	107-0007	4"	107-5145	107-5146
IPP94	107-5204	2	107-5211	1	107-0007	4"	107-5145	107-5146
ISP29	107-5237	1	-	-	107-0007	2.5"	107-5298N	107-5295N
ISP29M	107-5237	1	-	-	107-0007	2.5"	107-5298N	107-5295N
ISP48	107-5346	2	-	-	107-0007	2.5"	107-5298N	107-5295N
ISP48M	107-5346	2	-	-	107-0007	2.5"	107-5298N	107-5295N
ISP61	107-5371	2	-	-	107-0007	2.5"	107-5298N	107-5295N
ISP61M	107-5371	2	-	-	107-0007	2.5"	107-5298N	107-5295N
ISP72	107-5346	2	107-5399	1	107-0007	2.5"	107-5298N	107-5295N
ISP72M	107-5346	2	107-5399	1	107-0007	2.5"	107-5298N	107-5295N
-	-	-	-	-	-	-	-	-



TERMS & CONDITIONS

Shipment: (F.O.B.): MVP Warehouse

Shipping class:150

Terms: 2% - 10 Days or Net 30 Days upon approved credit

Returns: All returns are subject to a minimum of 35% restocking fee.

** All merchandise must have a return merchandise authorization (RMA) issued by MVP **

Pricing: All prices shown are List. MVP GROUP CORP. assumes no responsibility for carrier rates or charges, nor will it make any allowance for prices from freight charges. Prices are subject to change without any notice, and as exist at time of shipment. Export duties and overseas shipping costs are not included in prices listed.

Damage: If goods are shipped via 3rd party, any claim for damages must be made by the consignee directly with the carrier. MVP GROUP CORP. assumes no responsibility for damage while in transit. Merchandise must be inspected prior to carrier leaving your premises and damage noted at this time.

Shipment: Whenever feasible, preferred carrier will be used, however we reserve the right to ship via any responsible carrier. (Air ride suspension - recommended.) Rate charges or discrepancies are between carrier and consignee.

These conditions are the terms upon which an order is accepted and constitutes an Agreement of Sales. MVP GROUP CORP. assumes no responsibility for the product when misused, abused, or incorrectly applied. In any such instance, the warranty becomes null and void.

IKON WARRANTY

Two Year Parts & Labor Warranty: MVP Group Corp. (MVP) warrants, to the original purchaser, all of its new equipment to be free from defects in material or workmanship, under normal use and maintenance service, for a period of two (2) years from the date of original purchase, or 30 months after shipment date from the manufacturer, whichever occurs first. Warranty coverage is limited to the repair and/or replacement, including labor charges, of defective parts and/or assemblies. The labor warranty shall include straight time labor charges and travel charges within 100 miles or 160 km roundtrip. Warranty service must be arranged by calling toll free (888) 275-4538 for service in the United States and Canada. Warranty service coverage is not offered outside of the United States and Canada.

Additional Three Year Compressor Warranty: In addition to the two (2) year warranty stated above, MVP warrants its compressor units to be free from defects in both material and workmanship under normal and proper use and maintenance service for a period of three (3) additional years from the date of original installation but not to exceed five (5) years and three (3) months after shipment from MVP. The three (3) year extended compressor warranty applies only to the compressor part itself and does not apply to any other parts, components, or labor charges involved in replacement of compressor.



Conditions : All service under this warranty, for either labor or parts, must be performed by a preferred service provider arranged by the MVP Warranty Department at (888) 275-4538. Warranty claims should include the model number, serial number and a proof of purchase. Service coverage is limited to units located in the United States and Canada only.

This part and labor warranty is the sole warranty policy offered by MVP Group. MVP's sole obligation under this warranty is limited to either repair or replacement of parts and is subject to the following warranty listed.

1. MVP will bear no responsibility or liability for any equipment which has been misapplied, mishandled, misused, subjected to harsh chemical action, or external causes such as the use of extension cords, electrical power fluctuations, lack of proper maintenance, non-factory approved revisions or modifications, or equipment damaged by fire, flood, or other acts of God.
2. MVP will bear no responsibility for consequential loss or damages such as, including but not limited to, economic loss, profit loss, personal injury, property damage, damage during transit, losses or damages arising from food or product spoilage claims.
3. MVP shall bear no responsibility for parts or labor coverage for component failure or other damages resulting from improper usage, installation, or maintenance as described in the owner's manual.
4. Exceptions to two (2) year part warranty other than additional three (3) year compressor warranty: Light bulbs and door gaskets are limited to 90 day warranty period, parts only.
5. MVP equipment is intended for commercial use only and this warranty is void if the equipment is installed in other than commercial applications.
6. All other warranties, either expressed or implied, arising under law or equity or custom of the trade, including but not limited to, warranties or merchantability or fitness for a particular purpose, are excluded. MVP's liability on any claim, including but not limited to negligence, shall not exceed the price of the equipment that gives rise to the claim.

NOTES



Head Office



5659 Royalmount Ave., Montreal, Qc, Canada H4P 2P9

Tel: (514) 737-9701 - Toll free: (888) 275-4538

Fax: (514) 342-3854 - Toll free fax: (877) 453-8832

US Sales Office



12000 Biscayne Blvd, Suite 108, Miami, FL 33181

Tel: (786) 600-4687 - Toll free: (844) 218-8477

FAX: (786) 661-4100



mvpgroupcorp.com



sales@mvpgroupcorp.com