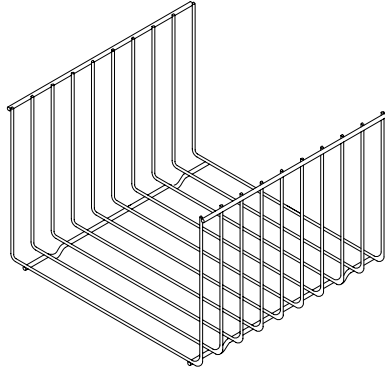


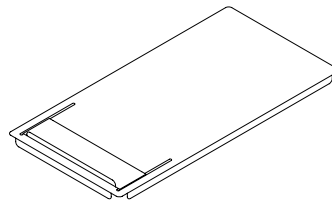
INSTRUCTIONS

MODEL 35SSA OR 70SSA STEAMER CONVERSION TO BUNS ONLY UNIT.

The kit should contain the following items. Make sure all items are in the kit.



1 - BUN
BASKET



1 - BUN
SHELF ASSY.

Required Tools: No tools are required.

1. **Caution: Unplug the unit and let cool before proceeding with any work.**
2. Remove the following items from the unit (see figure 1).
 - A. Remove the divider.
 - B. Remove the wire bun rack.
 - C. Remove the top hot dog shelf.
 - D. Remove the bottom hot dog shelf (the tray with holes).
 - E. Remove the juice tray.

Do not discard these items. Store them for possible future use with the unit.



MODEL 35SSA, 70SSA

2M-Z5418 rev. -

STAR MANUFACTURING INTERNATIONAL, INC.

Sheet 1 of 3

3/5/02 - PMR

INSTRUCTIONS

MODEL 35SSA OR 70SSA STEAMER CONVERSION TO BUNS ONLY UNIT.

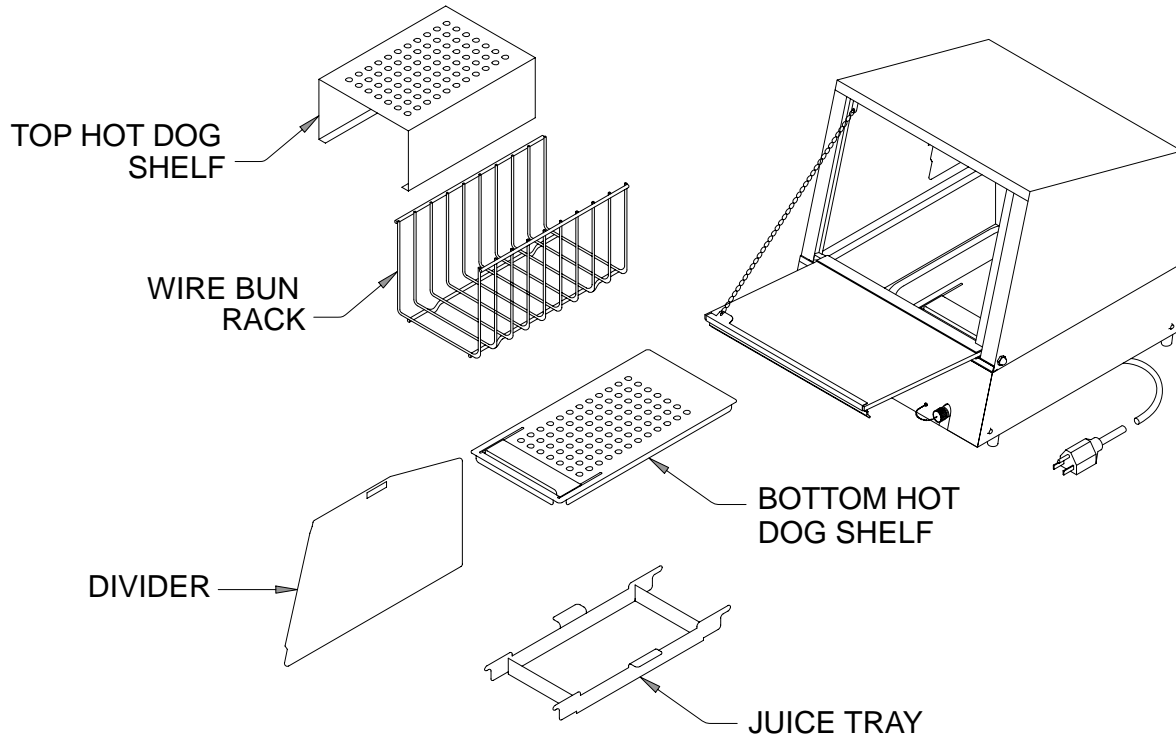


Figure 1.

3. Install the following items in the unit (see figure 2).
 - A. Install the new bun shelf assembly next to the existing bun shelf assembly.
 - B. Install the new wire bun basket.



MODEL 35SSA, 70SSA

2M-Z5418 rev. -

STAR MANUFACTURING INTERNATIONAL, INC.

Sheet 2 of 3

3/5/02 - PMR

INSTRUCTIONS

MODEL 35SSA OR 70SSA STEAMER CONVERSION TO BUNS ONLY UNIT.

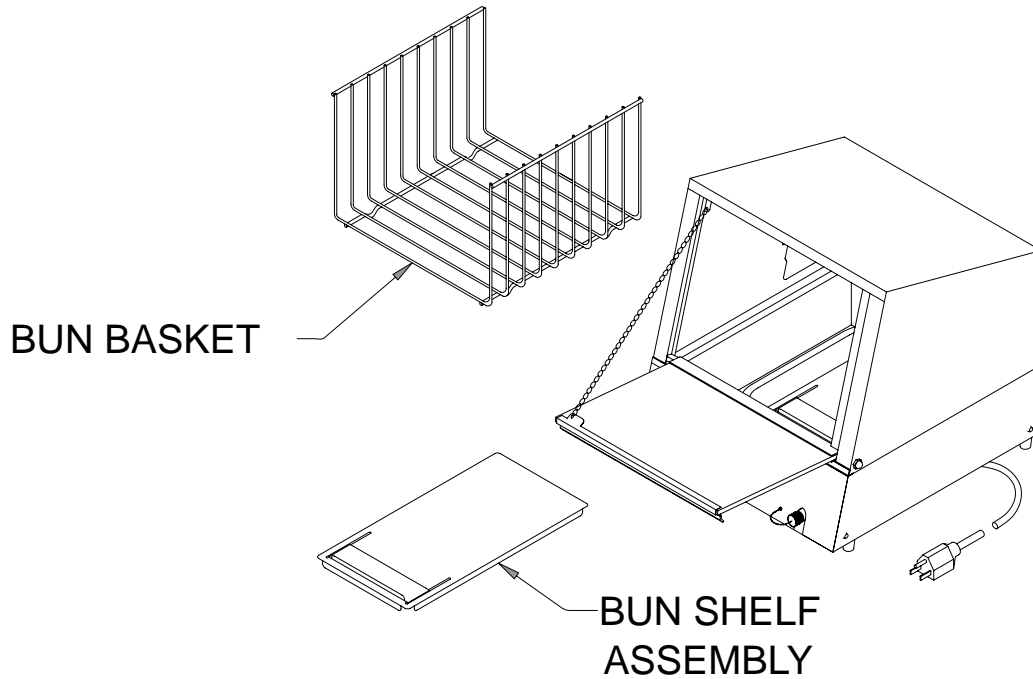


Figure 2.

4. The completed assembly should look like figure 3. Slide the cover at the front of the bun shelf assembly to control humidity and to fill with water.



Figure 3.



STAR MANUFACTURING

10 Sunnen Drive, St. Louis, MO 63143 U.S.A.

(800) 807-9054 (314) 781-2777

Parts & Service (800) 807-9054

www.star-mfg.com