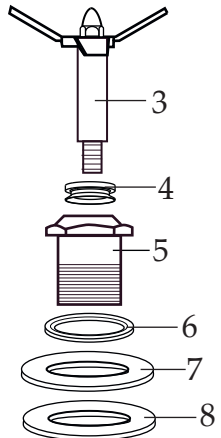


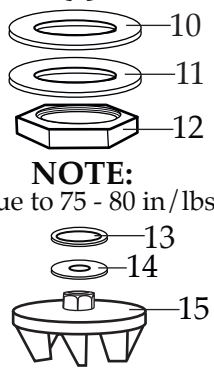
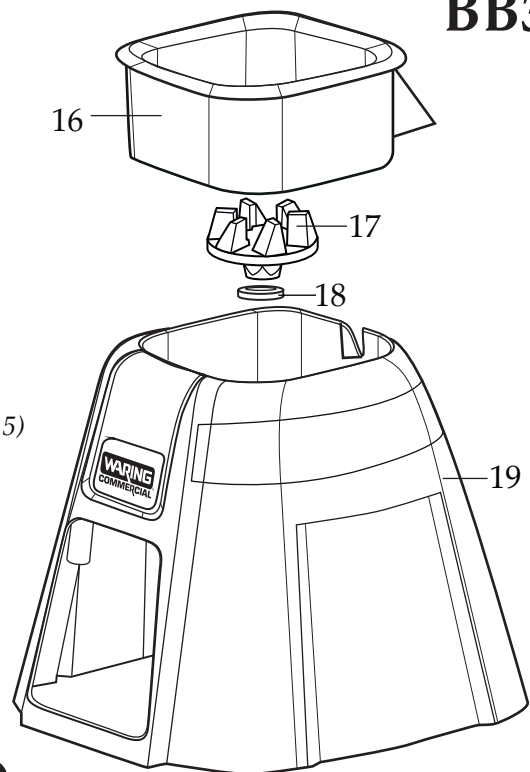
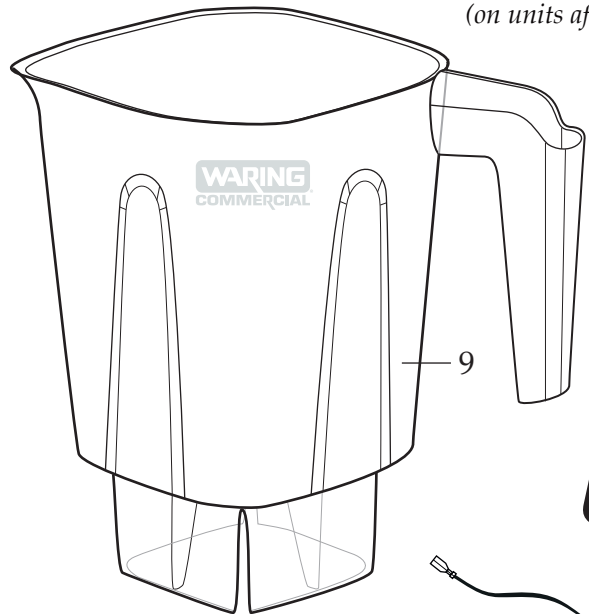
Unit Information
 Limited 1 Year Warranty
 1 HP - 60Hz - 6.8 Amps
 2 Speed Motor with Pulse Function

WARING COMMERCIAL

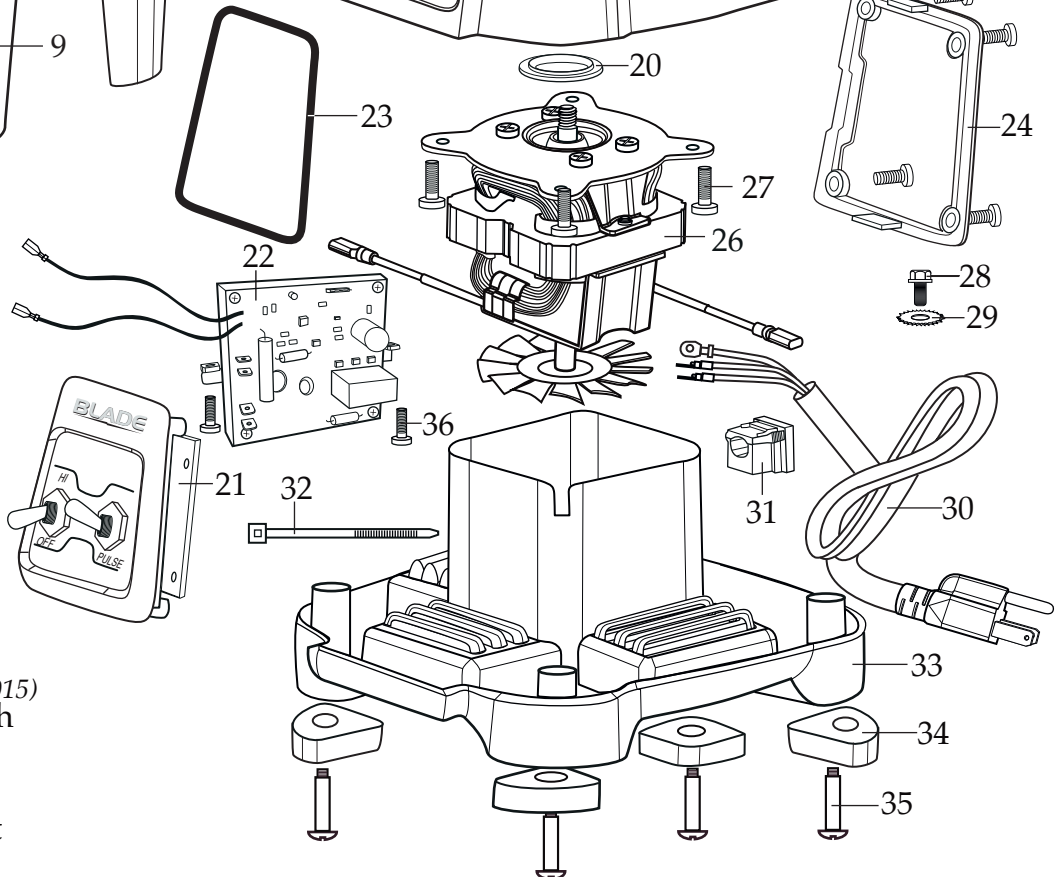
Medium Duty Bar Blender
 with Toggle Switch &
 48 oz. Copolyester Container
BB300



013304
 NSF Seal
 (on units after 4/23/2015)



NOTE:
 Torque to 75 - 80 in./lbs.



503459 (changed after 4/23/2015)
 BPA Free Container with
 Blending Assembly
035592
 Blending Assembly Kit

Illustration #	Part #	Description
1	035153 026282-E	Jar Cover Lid <i>(on units after 3/30/2016)</i> Eastman Jar Cover Lid
2	033625-V	Vinyl Jar Cover
3	503444	Blade Assembly
4	027716	V Seal
5	503458	Bearing Holder / Seal Assembly <i>(changed after 4/23/2015)</i>
6	009724	Nylon Flat Washer
7	003537	Stainless Steel Washer
8	003509	Neoprene Washer (rubber)
9	033626	48 oz. BPA Free Copolyester Container
10	003509	Neoprene Washer (rubber)
11	003537	Stainless Steel Washer
12	034156	Bearing Holder Nut
13	003526	Phenolic Washer
14	035048	Flat Stainless Steel Washer
15	032453	Coupling
16	033623	Jar Pad
17	032453	Coupling
18	035756 026413	Stainless Steel Cap Washer <i>(on units after 5/23/2016)</i> Stainless Steel Cap Washer
19	033616	Top Housing
20	026269	Upper Motor Mount
21	033545	Control Panel
22	035176	120 volt Soft Start PCB <i>(on units after 11/18/2015)</i>
23	033737	O Ring
24	<i>Comes with the 033545 Control Panel</i>	
25	026267	Screw (4 required)
26	033618	120 volt Chiaphua Motor
27	032611	Screw (4 required)
28	027278	Ground Screw
29	002943	Washer

Illustration #	Part #	Description
30	503471	Cordset Assembly <i>(on units after 2/3/2016)</i>
	035296	Cordset Assembly <i>(use 503471 on units after 12/10/2015)</i>
	503431	Cordset Assembly
31	033619	Strain Relief
32	013731	Wire Tie
33	035282	Bottom Housing <i>(on units after 2/3/2016)</i>
	033617	Bottom Housing
34	035287	Foot <i>(4 required on units after 2/3/2016)</i>
	033620	Foot <i>(4 required)</i>
35	035260	Screw <i>(4 required on units after 2/3/2016)</i>
	026276	Screw <i>(4 required)</i>
36	033526	Screw <i>(2 required on units after 11/18/2015)</i>

