

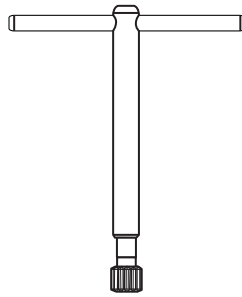
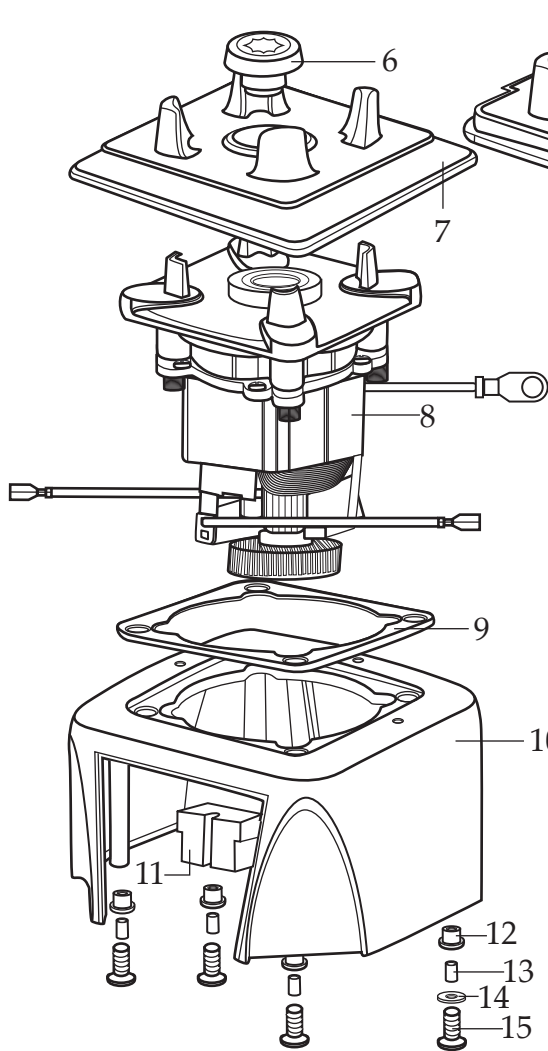
WARING
COMMERCIAL

MX1300XT / MX1500XT
64 oz. BPA-Free copolyester container

MX1300XTP / MX1500XTP
32-48 oz. BPA-Free copolyester container

MX1300XTS / MX1500XTS
64 oz. stainless steel container

MX1300XTWT
32-48 oz. BPA-Free copolyester container / Woody's
MX1500XT units come with Sound Enclosure



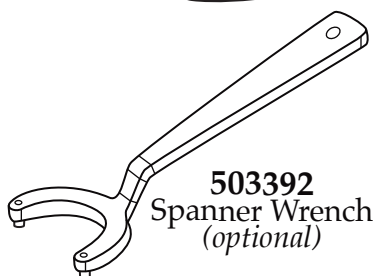
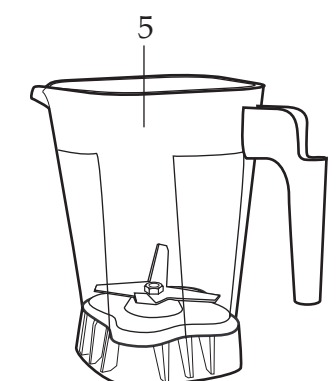
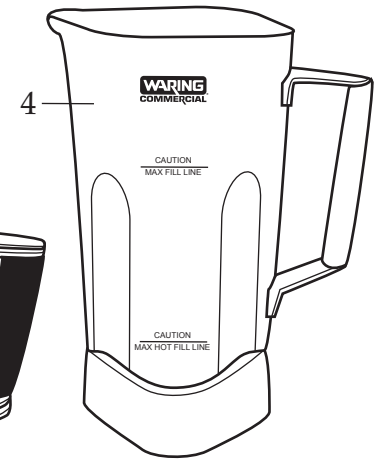
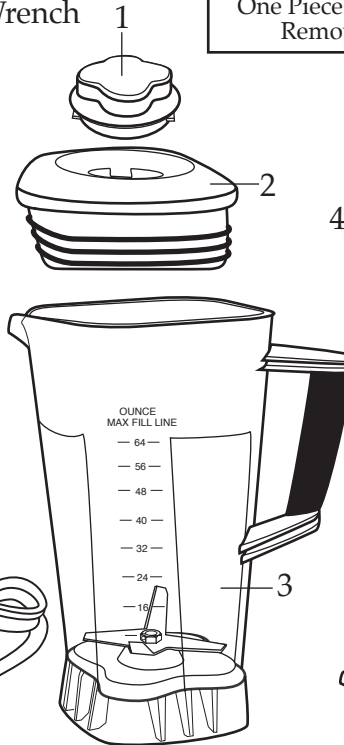
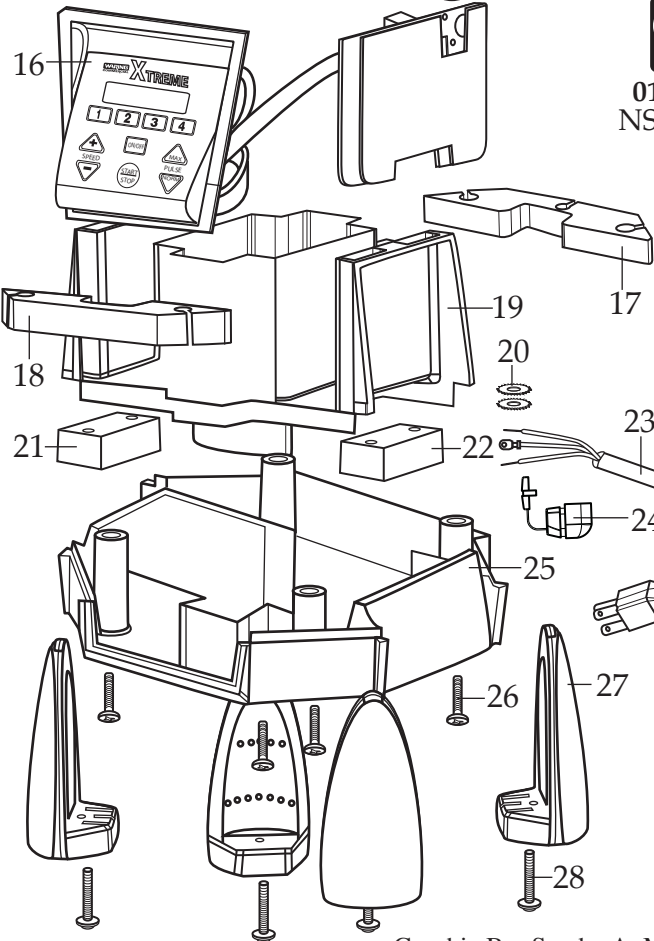
503351
MX Coupling Wrench
(optional)

Unit Information

Limited 3 Year Motor Warranty
Two Year Parts & Labor
60Hz - 13 Amps - 3.5 HP Motor
RPM's Maximum 30,000
Minimum 5,000
Height 21" - Weight 18 lbs.
Four Reprogrammable
One Touch Blending Stations
One Piece Dishwasher Safe
Removable Jar Pad



013304
NSF Seal



503392
Spanner Wrench
(optional)

Catalog

MX1300XT
 MX1500XT
 MX1300XTP
 MX1500XTP
 MX1300XTS
 MX1500XTS
 MX1300XTWT

Model

MX1300XT11
 MX1500XT12
 MX1300XTP
 MX1500XT22
 MX1300XT31
 MX1500XTS
 MX1300XTP



| Illustration # | Part # | Description |
|-----------------------|---------------|---|
| 1 | 026425-E | Jar Lid Cover |
| 2 | 026424 | Jar Lid |
| 3 | 503347 | Jar with Blending Assy. /64 oz. Eastman |
| 4 | 503346 | Jar with Blending Assy. /64 oz. stainless steel |
| 5 | 503348 | Jar with Blending Assy. /32-48 oz. Eastman |
| 6 | 028538 | Drive Clutch |
| 7 | 026442 | Jar Pad |
| 7a | 026443 | Jar Pad /use with sound enclosure |
| 8 | 028101 | Motor |
| 9 | 026437 | Dampening Plate Gasket |
| 10 | 028032-09 | Top Housing /black |
| 11 | 028541 | Motor Foam 2 Req.'d |
| 12 | 026439 | Dampening Plate Bushing 4 Req.'d |
| 13 | 026453 | Dampening Plate Sleeve 4 Req.'d |
| 14 | 026459 | Washer |
| 15 | 028929 | Screw 4 Req.'d |
| | 026455 | Screw 4 Req.'d (older units) |
| | 026459 | Washer 4 Req.'d (older units) |
| 16 | 028393 | Control Panel |
| 17 | 028248 | Housing Foam Baffle /rear |
| 18 | 028249 | Housing Foam Baffle /front |
| 19 | 028240 | Motor Housing |
| 20 | 002943 | Washer 2 Req.'d |
| 21 | 028247 | Bottom Housing Foam Baffle |
| 22 | 028542 | Foam Baffle |
| 23 | 026925 | Cord Set |
| 24 | 007556 | Strain Relief |
| 25 | 028241-09-x | Bottom Housing /black |
| 26 | 012505 | Screw 4 Req.'d |
| 27 | 026430 | Corner Post 4 Req.'d |

Catalog

MX1300XT
 MX1500XT
 MX1300XTP
 MX1500XTP
 MX1300XTS
 MX1500XTS
 MX1300XTWT

Model

MX1300XT11
 MX1500XT12
 MX1300XTP
 MX1500XT22
 MX1300XT31
 MX1500XTS
 MX1300XTP

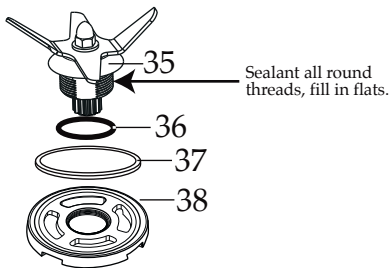
Waring Factory Service Center
 314 Ella T. Grasso Ave.
 Torrington, CT 06790
 Tele. 1-800-269-6640
 Fax 860-496-9017
 www.waringproducts.com

| Illustration # | Part # | Description |
|----------------|----------------------------|---|
| 28 | 028928 026459 012505 | Screw 4 Req.'d Washer 4 Req.'d (older units) Screw 4 Req.'d (older units) |
| 29 | 028250 026432 | Inner Enclosure /32 oz. Inner Enclosure /64 oz. |
| 30 | 028251 026433 | Outer Enclosure /32 oz. Outer Enclosure /64 oz. |
| 31 | 027447 | O Ring 2 Req.'d |
| 32 | 026461 | Screw 3 Req.'d |
| 33 | 026434 | Sound Enclosure Handle |
| 34 | 012505 | Screw 2 Req.'d |
| 35 | 503345 | Blade Assy. |
| 36 | 024271 | O Ring |
| 37 | 024268 | Nut Gasket |
| 38 | 029631 | Bearing Holder Nut |
| 39 | 026423-E | 64 oz. Eastman Container |
| 40 | 029003-E | 32-48 oz. Eastman Container |

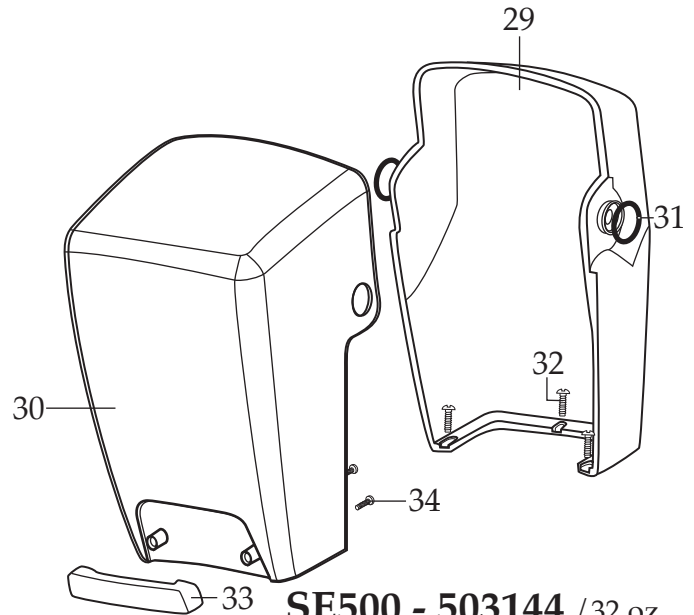
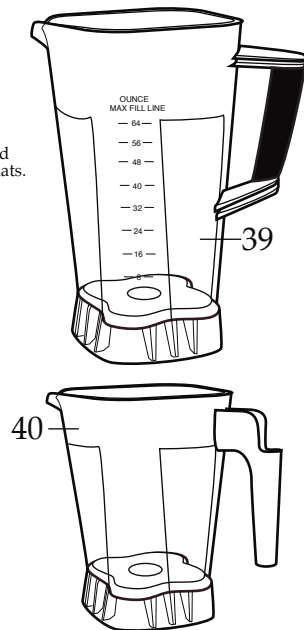
Notes for 503347 & 503348 :

Torque 100-125 in./lbs

Sealant all around the threads, fill in flats.
 Dow Corning Sealant RTV 733



031060
 Blending Assy. Kit



SE500 - 503144 /32 oz.
SE1000 - 502962 /64 oz.

503347 and 503348 - Eastman Containers

Catalog

Model

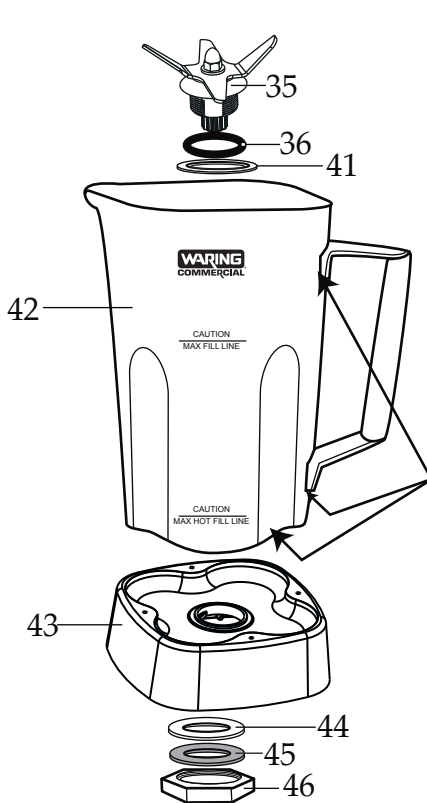
| | |
|------------|------------|
| MX1300XT | MX1300XT11 |
| MX1500XT | MX1500XT12 |
| MX1300XTP | MX1300XTP |
| MX1500XTP | MX1500XT22 |
| MX1300XTS | MX1300XT31 |
| MX1500XTS | MX1500XTS |
| MX1300XTWT | MX1300XTP |

Waring Factory Service Center
 314 Ella T. Grasso Ave.
 Torrington, CT 06790
 Tele. 1-800-269-6640

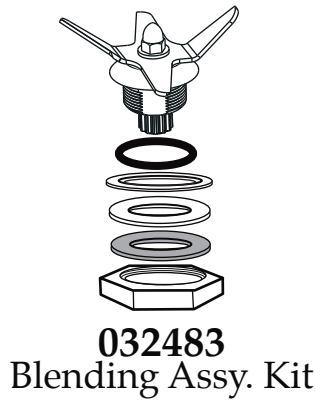
Fax 860-496-9017
 www.waringproducts.com

| Illustration # | Part # | Description |
|----------------|--------|-------------|
|----------------|--------|-------------|

| | | |
|----|--------|-------------------------------------|
| 41 | 026798 | Support Washer |
| 42 | 026648 | 64 oz. Containter / stainless steel |
| 43 | 026649 | Container Support |
| 44 | 026797 | Bearing Holder Gasket |
| 45 | 026796 | Bearing Holder Washer |
| 46 | 026795 | SS Jar Bearing Holder Nut |



Sealant applied all round these indicated areas.



028595
Woody Label/MX1300XTWT

503346 - Stainless Steel Container

Notes for 503346 :

Torque 100-125 in/lbs

Sealant applied all around indicated areas.
 Dow Corning Sealant RTV 733

Lubricant applied to O Ring
 Dow Corning 200 (R) Fluid

