

WARING COMMERCIAL

MX1300XTX

64 oz. stackable container

MX1500XTX

64 oz. stackable container
comes with sound enclosure

Unit Information

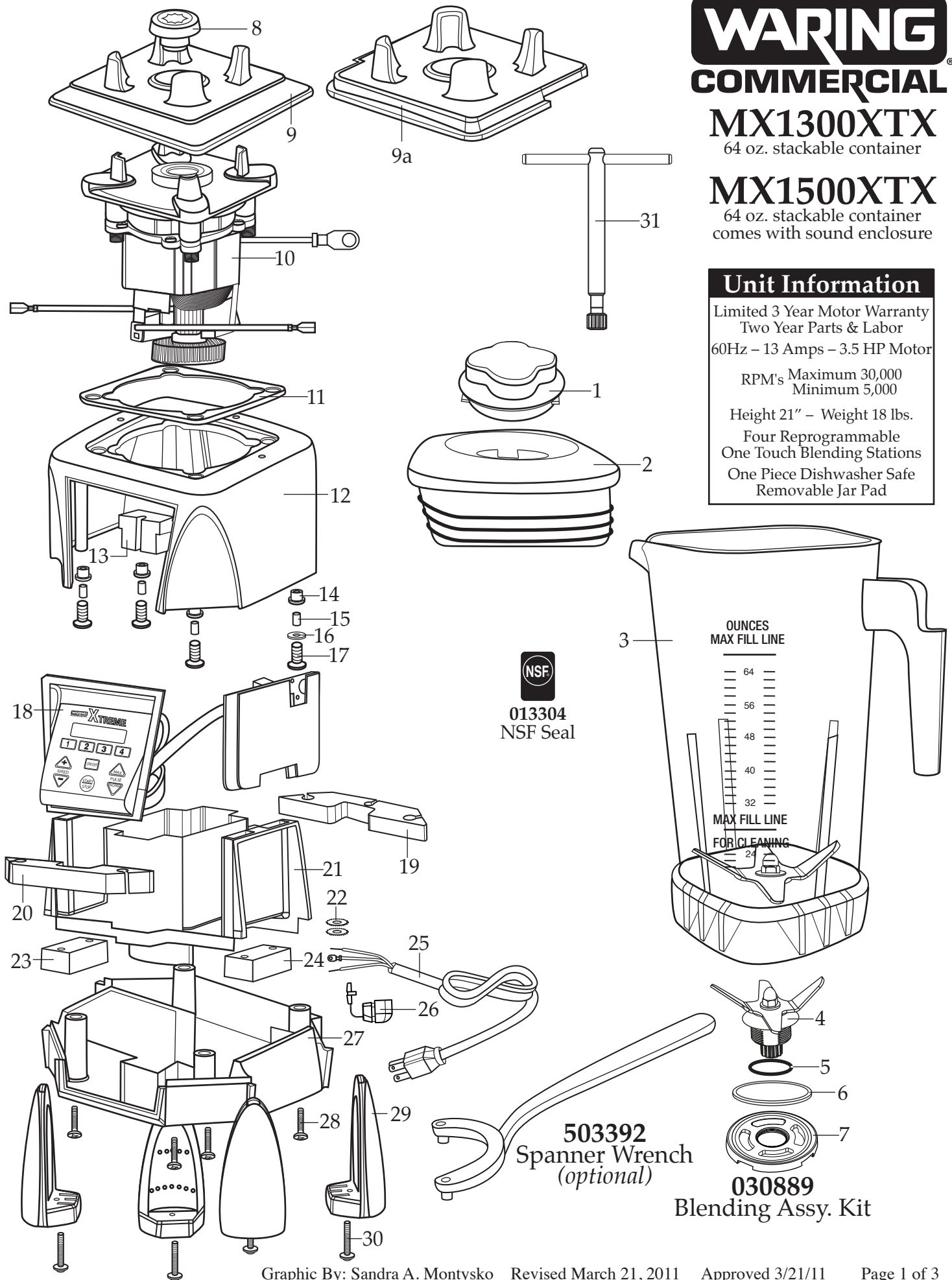
Limited 3 Year Motor Warranty
Two Year Parts & Labor

60Hz – 13 Amps – 3.5 HP Motor

RPM's Maximum 30,000
Minimum 5,000

Height 21" – Weight 18 lbs.

Four Reprogrammable
One Touch Blending Stations
One Piece Dishwasher Safe
Removable Jar Pad



013304
NSF Seal

503392
Spanner Wrench
(optional)

030889
Blending Assy. Kit

Catalog
MX1300XTX
MX1500XTX

Model
MX1300XT41
MX1500XT42

Waring Factory Service Center
314 Ella T. Grasso Ave.
Torrington, CT 06790
Tele. 1-800-269-6640
Fax 860-496-9017
www.waringproducts.com



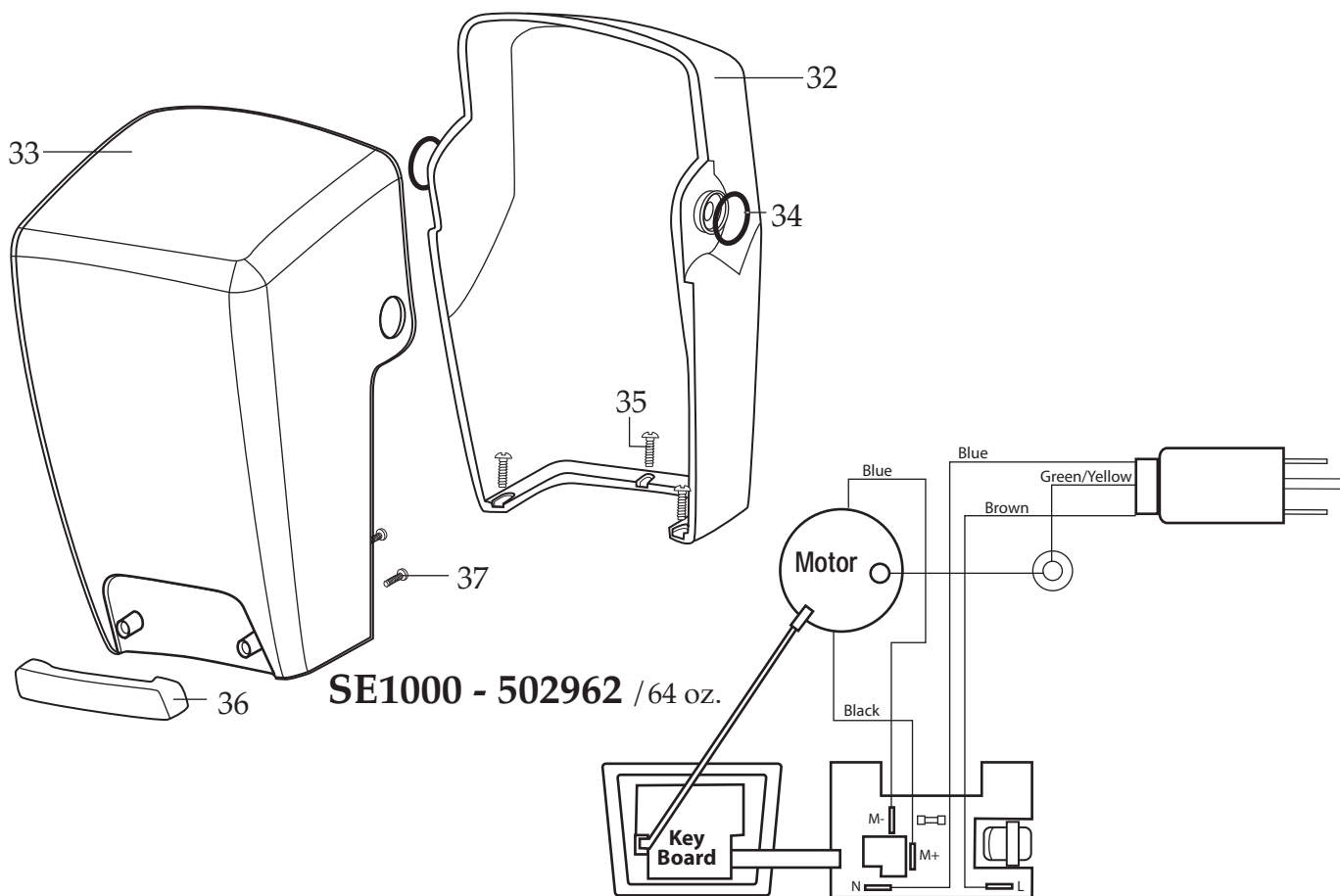
Illustration #	Part #	Description
1	026425-E	Jar Lid Cover
2	026424	Jar Lid
3	503326 503398	Jar ONLY /64 oz. stackable Jar with Blending Assy. /64 oz. stackable
4	503397	Blade Assy.
5	024271	Bearing Holder O Ring
6	024268	Nut Gasket
7	029631	Bearing Holder Nut
8	028538	Drive Clutch
9	026442	Jar Pad
9a	026443	Jar Pad /use with sound enclosure
10	028101	Motor
11	026437	Dampening Plate Gasket
12	028032-09	Top Housing /black
13	028541	Motor Foam 2 Req.'d
14	026439	Dampening Plate Bushing 4 Req.'d
15	026453	Dampening Plate Sleeve 4 Req.'d
16	026459	Washer
17	028929	Screw 4 Req.'d
18	028393	Control Panel
19	028248	Housing Foam Baffle /rear
20	028249	Housing Foam Baffle /front
21	028240	Motor Housing
22	002943	Washer 2 Req.'d
23	028247	Bottom Housing Foam Baffle
24	028542	Foam Baffle
25	026925	Cord Set
26	007556	Strain Relief

Catalog
 MX1300XTX
 MX1500XTX

Model
 MX1300XT41
 MX1500XT42

Waring Factory Service Center
 314 Ella T. Grasso Ave.
 Torrington, CT 06790
 Tele. 1-800-269-6640
 Fax 860-496-9017
 www.waringproducts.com

Illustration #	Part #	Description
27	028241-09-x	Bottom Housing /black
28	012505	Screw 4 Req.'d
29	026430	Corner Post 4 Req.'d
30	028928	Screw 4 Req.'d
31	503351	MX Coupling Wrench <i>(optional)</i>
32	026432	Inner Enclosure / 64 oz.
33	026433	Outer Enclosure / 64 oz.
34	027447	O Ring 2 Req.'d
35	026461	Screw 3 Req.'d
36	026434	Sound Enclosure Handle
37	012505	Screw 2 Req.'d



Wiring Diagram