



031123
WDB600 Base Unit

Unit Information

60Hz – 1800 Watts
Large Burner - 1300 Watts
Small Burner - 500 Watts

Temperature Settings
1 - Low • 2 - Low/Medium
3 - Medium • 4 - Medium/High
5 - High

WDB600 Double Burner

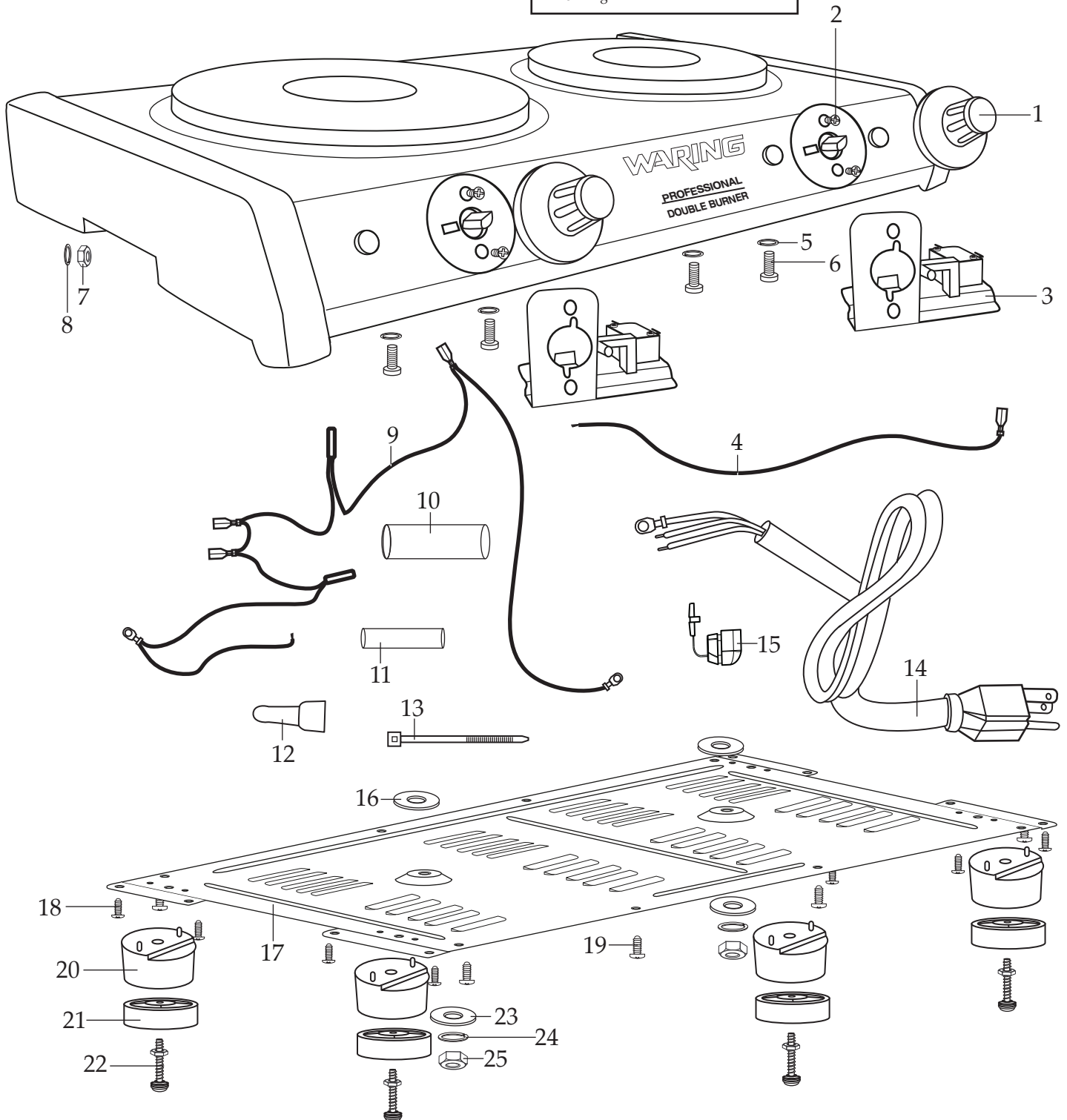


Illustration #	Part #	Description
1	031098	Knob 2 Req.'d
2	031009	Screw 4 Req.'d
3	031100	Bracket with Micro Switch 2 Req.'d
4	031125 031126	Lead / red 22" small burner side Lead / red 14" large burner side
5	031118	Spring Washer /heating element 4 Req.'d
6	031117	Screw /heating element 4 Req.'d
7	031115	Nut /ground lead
8	031116	Spring Washer /ground lead
9	031127 031128	Lead Set /7 leads small burner side Lead Set /7 leads large burner side
10	031124	Connector Sleeve 2 Req.'d
11	031113	Lead Sleeve 4 Req.'d
12	019123	Crimp Connector 2 Req.'d
13	013791	Wire Ties 9 Req.'d
14	031104	Cord
15	031103	Strain Relief
16	030112	Washer /center burner shaft (before bottom plate) 2 Req.'d
17	031129	Bottom Plate
18	031108	Screw 8 Req.'d
19	031109	Screw 8 Req.'d
20	031120	Plastic Feet 4 Req.'d
21	031106	Rubber Feet 4 Req.'d
22	031107	Screw & Washer Set 4 Req.'d (screw, 3 washers, 1 spring washer and 1 nut)
23	030112	Washer /center burner shaft (after bottom plate) 2 Req.'d
24	031111	Spring Washer /center burner shaft (after bottom plate) 2 Req.'d
25	031110	Nut /center burner shaft (after bottom plate) 2 Req.'d

