

WARING COMMERCIAL[®]

WW200

Heavy-Duty Double Waffle Maker

Unit Information

1400 Watts – NEMA 5-15P

Delivers Up to 50 1¼"
Belgian Waffles Per Hour

Independent Ready Lights and Audio
Beep Signal When Waffles Are Ready
to Serve

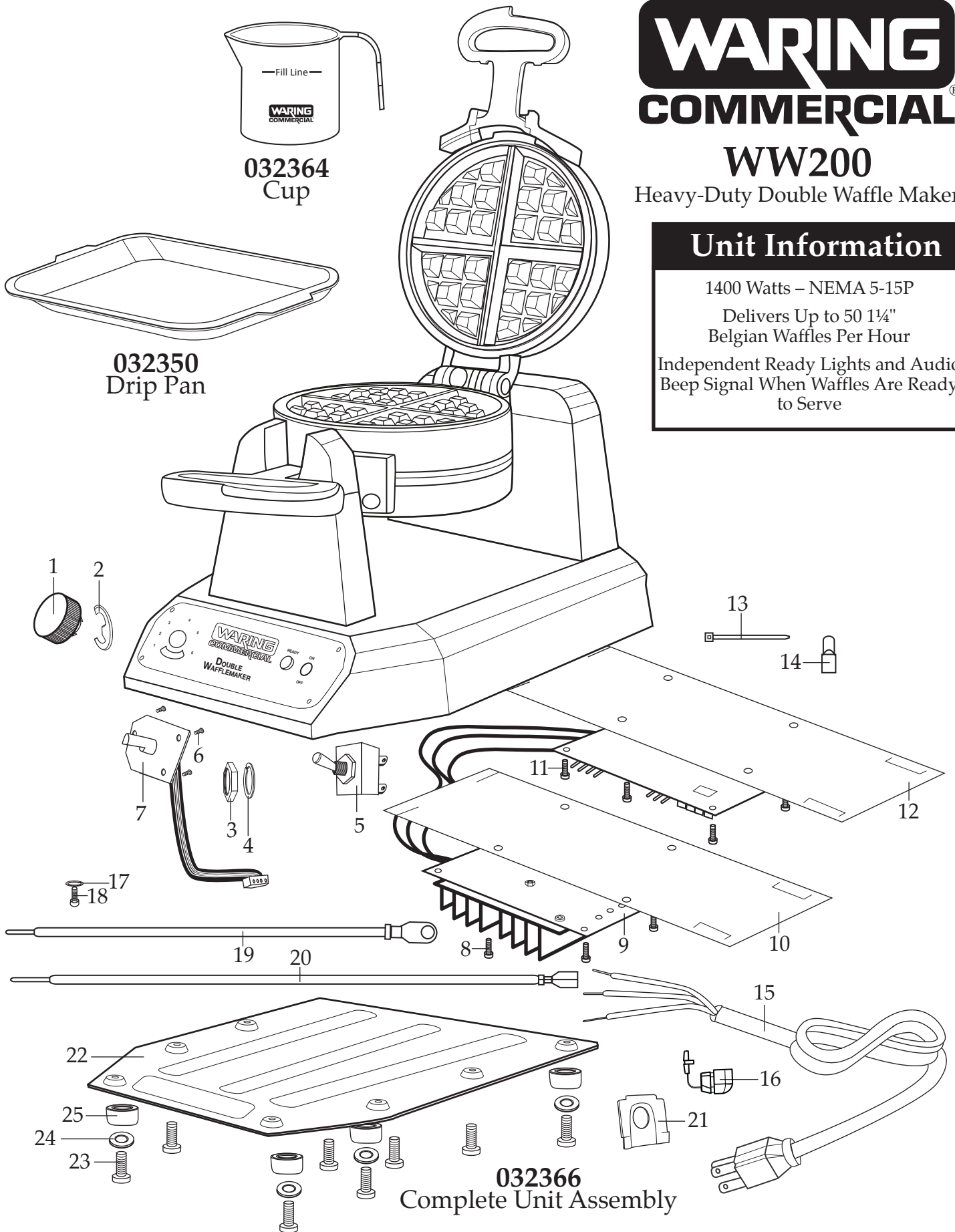


Illustration #	Part #	Description
1	032352	Browning Control Knob
2	032362	E Ring
3	016236	Hex Nut
4	032356	Washer
5	032368	Toggle Switch / on-off
6	032359	Screw 3 Req.'d
7	032358	Darkness Control Panel (thermostat)
8	032359	Screw 4 Req.'d
9	032369	PCB Board and Power Board Assy.
10	032357	Power Board Shield
11	032359	Screw 4 Req.'d
12	032357	PCB Board Shield
13	013731	Wire Tie 5 Req.'d
14	019123 012409	Crimp Connector /large Crimp Connector /small 3 Req.'d
15	032363	Cord Set
16	032361	Strain Relief
17	032360	Spring Washer /ground 2 Req.'d
18	032359	Screw /ground 2 Req.'d
19	032370	Green Lead
20	032367	Red Lead
21	032371	Cord Plate
22	032351	Bottom Plate
23	032355	Screw 8 Req.'d
24	032354	Washer /foot 4 Req.'d
25	032353	Foot 4 Req.'d