



**MODELS CMA-180 VL/180 VLTall
PARTS MANUAL
Rev 2.01A**



**CMA DISHMACHINES
12700 KNOTT AVENUE
GARDEN GROVE, CALIFORNIA 92841**

800-854-6417

FAX 714-895-2141

www.cmadishmachines.com

TABLE OF CONTENTS

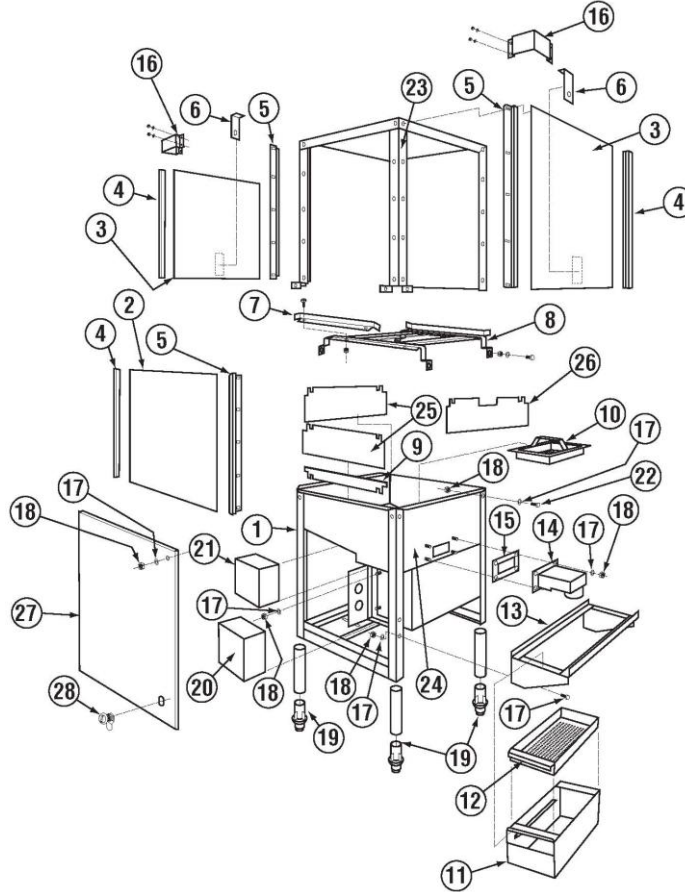
MODEL CMA-180 VL

1. PARTS MANUAL	3
1.1. EXPLODED VIEW DRAWINGS.....	3
1.1.1 Straight Frame System Assembly.....	3
1.1.2 Heat Recovery System.....	4
1.1.3 Drain System Assembly	5
1.1.4 Plumbing System Assembly.....	6
1.1.5 Wash Spray System.....	7
1.1.6 Final Rinse System Assembly.....	8
1.1.7 Door Handle Assembly.....	9
1.1.8 Pump System Assembly.....	10
1.1.9 Wash Tank Heater (Triangular Flange).....	11
1.1.10 Booster Tank Heater (Triangular Flange)	12
1.1.11 Control Box Assembly.....	13
1.1.12 Heat Recovery System Control Box.....	14
1.1.13 Door Safety Interlock (DSI) Assembly.....	15

1. Parts Manual

1.1. Exploded View Drawings

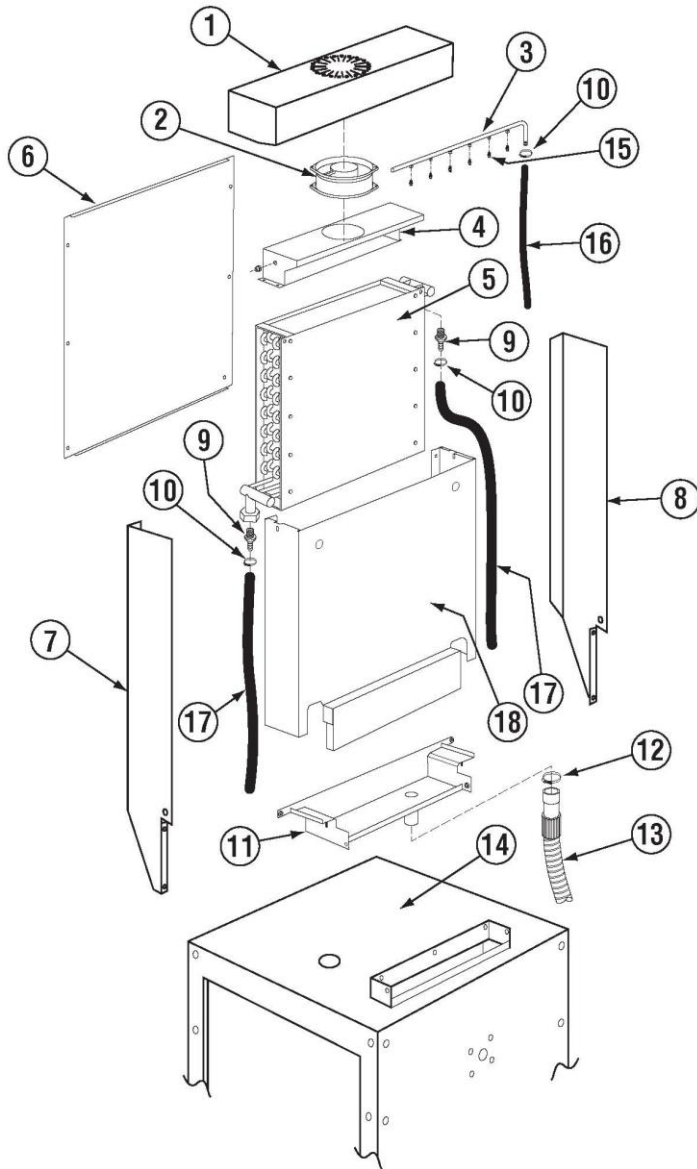
1.1.1 Straight Frame System Assembly



ITEM NO.	NO. REQ'D	P/N	DESCRIPTION
1	1	17532.18	Frame Stand
2	1	17506.00	Door Stamped
3	2	17506.45	Blank Doors
4	6	00636.17	E Z Door Glide
5	6	17554.00	Door Guide
6	2	17552.00	Door Stop
7	1	01505.16	Corner Tray Track Rail
8	1	01505.10	Tray Track (EST/EC/ 180)
9	1	17506.65	Door Service Splash Guard
10	2	17510.00	Strainer Basket
11	1	01579.10	Scrap Body SS
12	1	01579.20	Scrap Trap Drawer
13	1	17579.00	Scrap Trap Holder
14	1	17511.00	Overflow

ITEM NO.	NO. REQ'D	P/N	DESCRIPTION
15	1	17402.00	Overflow Gasket
16	2	01516.50	3-Door Bracket outside Style
17	60	00924.00	1/4" SS Washer
18	30	00912.00	1/4"-20 Nylon Lock Nut
19	4	01310.00	Bullet Feet
20	1	17522.50	Wash Tank Heater Cover
21	1	17522.00	Booster Heater Cover
22	23	00914.10	1/4-20 X 5/8 Hex Bolt
23	1	17591.00	CMA-180 Ventless Wrapper
24	1	17531.00	Pan
25	2	17506.60	Door Panel Splash Guard
26	1	17506.62	180 Splash Shield - lever side
27	1	17546.00	CMA-180VL Skirt
28	1	00449.50	Keyless Lock

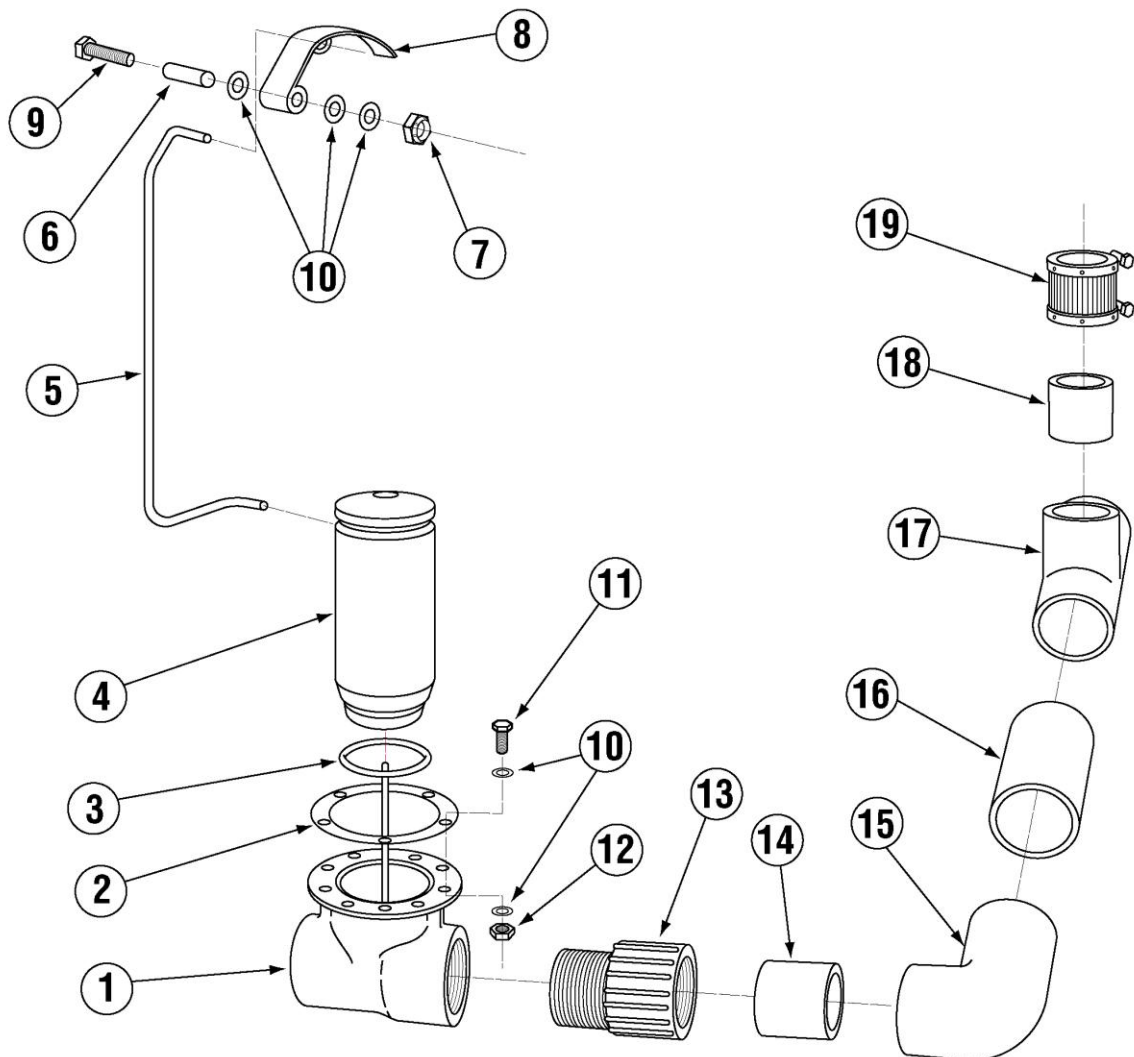
1.1.2 Heat Recovery System



Item No.	P/N	DESCRIPTION
1	17595.00	CMA-180 Ventless Top Cover
2	02401.01	Motor Fan 230v 50/60hZ
3	02401.17	Battery Self Cleaning Pipe
4	17593.00	CMA-180 Ventless Fan Mount
5	02401.05	CMA-130 VL Heat Recovery Battery
6	17596.00	CMA-180 Ventless Rear Cover
7	17598.00	CMA-180 Ventless Support L.H.
8	17597.00	CMA-180 Ventless Support R.H.
9	40014.00	1/2m x 1/2 Barb Straight

Item No	P/N	DESCRIPTION
10	03101.45	Hose Clamp #4
11	17592.00	CMA-180 Ventless Drain Pan
12	03101.00	Hose Clamp #16 1"
13	15605.00	Drain Hose with Goose Neck (9-06)
14	17591.00	CMA-180 Ventless Wrapper
15	02101.01	UC 50e Stainless Steel Rinse Nozzle
16	03107.51	Flexible Black Hose 3/8"
17	03107.00	Flexible Black Hose 1/2"
18	17594.00	CMA-180 Ventless Shroud

1.1.3 Drain System Assembly

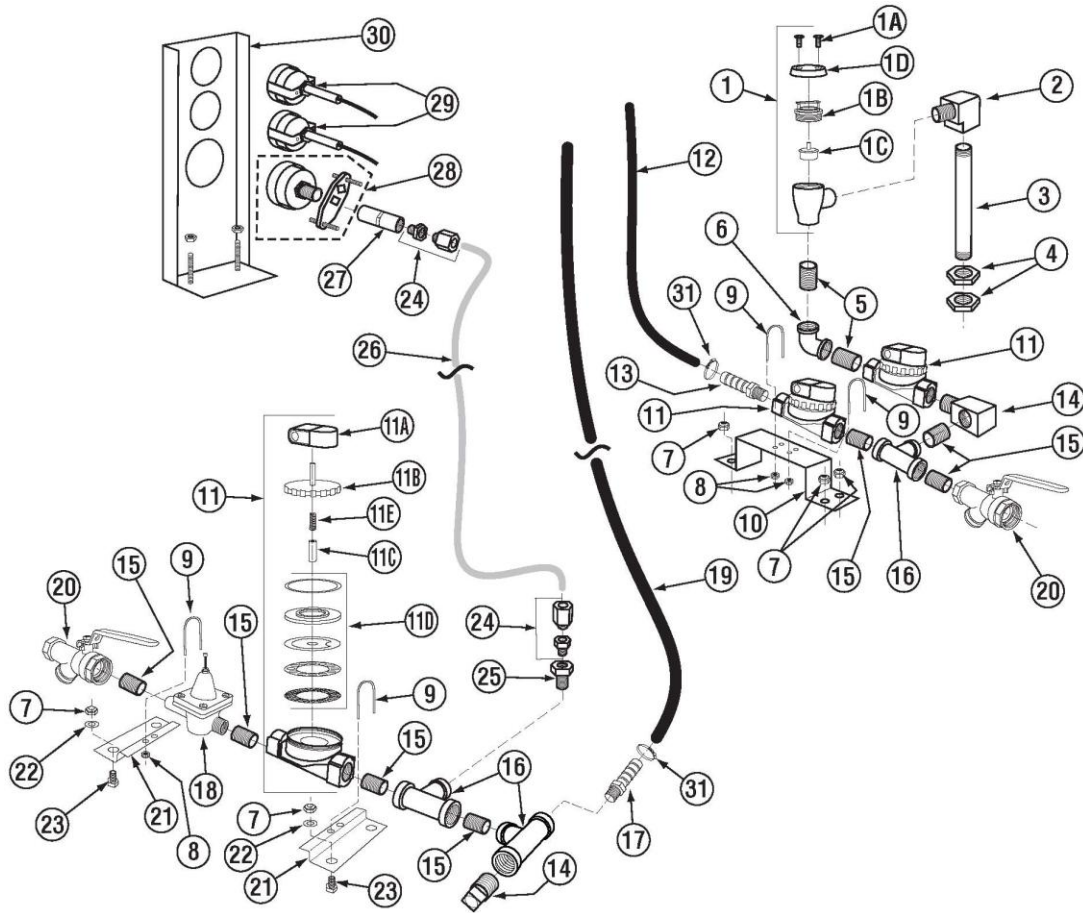


ITEM NO.	NO. REQ'D	P/N	DESCRIPTION
1	1	00113.17	Drain Tee Casting
2	1	00114.00	Drain Tee Gasket
3	1	00121.18	Drain Stopper "O" Ring
*4	1	00121.17	Drain Stopper
5	1	17581.00	Drain Linkage
6	1	17580.50	Drain Linkage Spacer
7	1	00912.00	¼"-20 Nylon Lock Nut
8	1	17580.00	Drain Lever
9	1	00910.00	¼"-20 x 1 ½" Hex Head Bolt

* #00121.17 includes #00121.18

ITEM NO.	NO. REQ'D	P/N	DESCRIPTION
11	6	00901.00	5/16 –18 x 1" Hex Head Bolt
12	6	13805.00	5/16-18 Nylon Lock Nut
13	1	01313.00	2" PVC Slip x MIPT Adapter
14	1	05030.17	2" x 4" PVC Tubing
15	1	01312.00	PVC Slip x Slip 90 Ell
16	1	05030.27	2" x 6" PVC Tubing
17	1	01320.17	2" PVC Tee SxSxS
18	1	05030.10	2" x 3" PVC Tubing
19	1	01315.17	2" No Hub

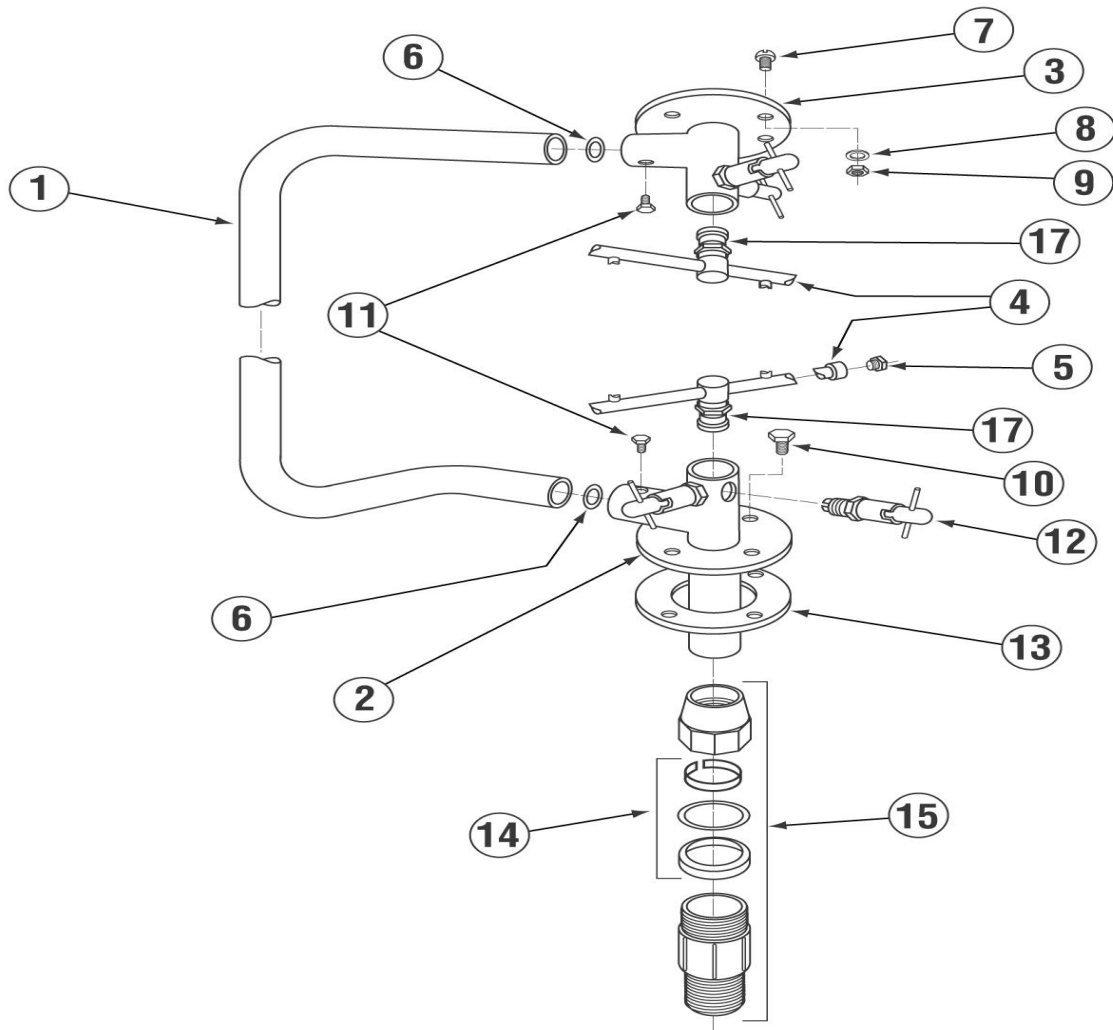
1.1.4 Plumbing System Assembly



ITEM NO.	NO. REQ'D	P/N	DESCRIPTION
1	1	00710.50	Vacuum Breaker 3/4" Watts
1A	--	00421.51	Pan Head Screw SS 6-32 x 1/4"
1B	--	00735.60	Vacuum Breaker Brass Bonnet 3/4"
1C	--	00735.00	Vacuum Breaker Repair Kit 3/4"
1D	--	00739.50	Vacuum Breaker Cap
2	1	00704.00	Street Elbow 3/4" 90Deg
3	1	13613.00	Nipple 3/4" x 5 1/2" Brass
4	2	13606.10	Jamb Lock Nut Thin Pattern
5	2	13639.00	Nipple SS 3/4 x Close
6	2	13633.00	3/4 90 Ell F x F Brass
7	6	00912.00	1/4-20 Nylon Lock Nut
8	4	00912.00	1/4-20 Nylon Lock Nut
9	3	01526.10	Plumbing Bracket Strap
10	1	01526.00	Plumbing Support Bracket
11	3	03603.15	1/2 Solenoid Valve JE 240V/60Hz
11A	1	00738.15	Water Sol Valve Coil 220V
11B	--	03603.20	Water Sol Valve Bonnet 1/2"
11C	--	00786.00	Water Sol Plunger 1/2" & 3/4" w/spring
11D	--	00707.00	Water Sol Repair Kit JE 1/2"

ITEM NO.	NO. REQ'D	P/N	DESCRIPTION
12	1	03107.51	Flexible Black Hose 3/8"
13	1	40014.10	1/2m x 3/8" Barb Straight
14	1	13642.00	1/2" MIP Plug Brass Sq. Head
15	8	03614.00	Nipple Brass 1/2 Close
16	3	00743.10	Tee 1/2" FXFXF
17	1	40014.00	1/2m x 1/2 Barb Straigh
18	1	13602.20	Pressure Regulator 1/2
19	1	03107.00	Flexible Black Hose 1/2"
20	2	41062.00	1/2 Strainer Ball Valve
21	2	01528.00	Plumbing Support Bracket
22	2	00924.00	1/4 SS Washer
23	2	00906.00	1/4-20 X 1/2 Hexhead Bolt
24	2	40116.00	1/4 Comp x 1/4 MIP Fitting
25	1	13604.00	1/2 x 1/4 Bushing Brass
26	1	00425.54	Chemical Tubing
27	1	13618.11	Coupling 1/4" Brass
28	1	13605.45	Pressure Gauge 180-UC
29	2	03202.00	Thermometer Capillary
30	1	17534.50	Gauge Bracket

1.1.5 Wash Spray System



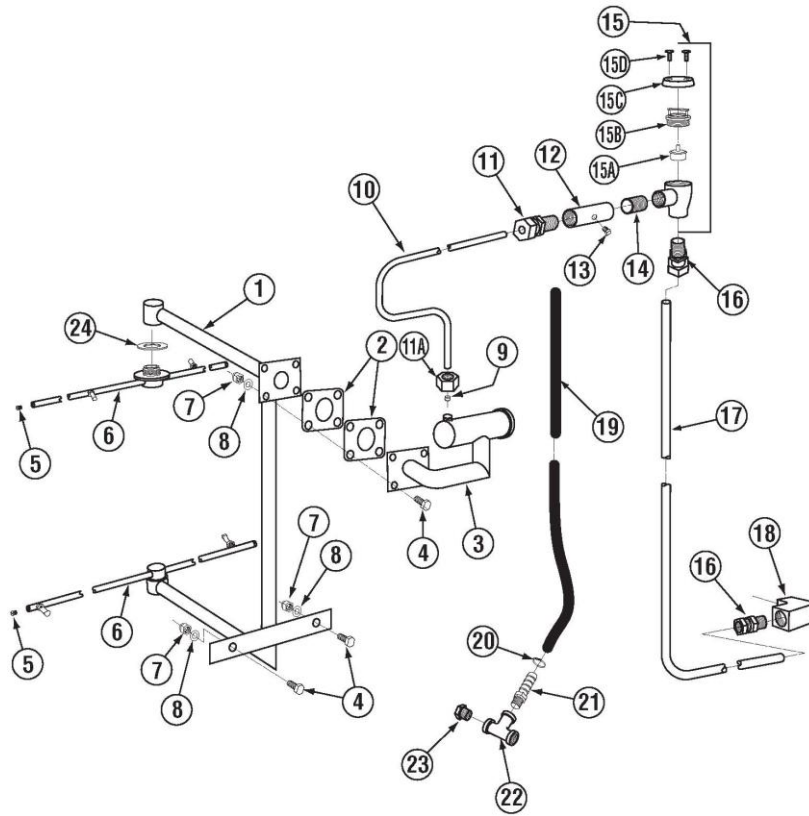
ITEM NO.	NO. REQ'D	P/N	DESCRIPTION
1	1	00303.17	Manifold
*2	1	00360.24	Lower Spray Base Assembly
**3	1	00361.10	Upper Spray Base Assembly
4	2	00304.17	Wash Spray Arm
5	4	00308.50	Spray Arm End Plug SS
6	2	00302.51	Spray Base "O" Ring
7	4	00905.00	Truss Head Bolt 1/4"-20"x1/2"
8	12	00924.00	SS Washer 1/4"

ITEM NO.	NO. REQ'D	P/N	DESCRIPTION
9	8	00912.00	Nylon Lock Nut 1/4" - 20
10	4	00914.10	Hex Head Bolt 1/4"-20"x5/8"
11	2	00966.10	Hex Head SS Bolt 10-32
12	4	00363.00	Spray Base Lock Pin
13	1	00302.00	Spray Base Gasket
14	1	00225.00	Compression Gasket
15	1	00221.20	1" Comp. Fit.x1"MIP SS
16	1	00759.17	Base Quick Release W/Nipple
17	2	00341.00	Spray Arm Bearing

**P/N 00361.10 Includes Items 11,12 & 6

*P/N 00360.24 Includes Items 11, 12 & 6

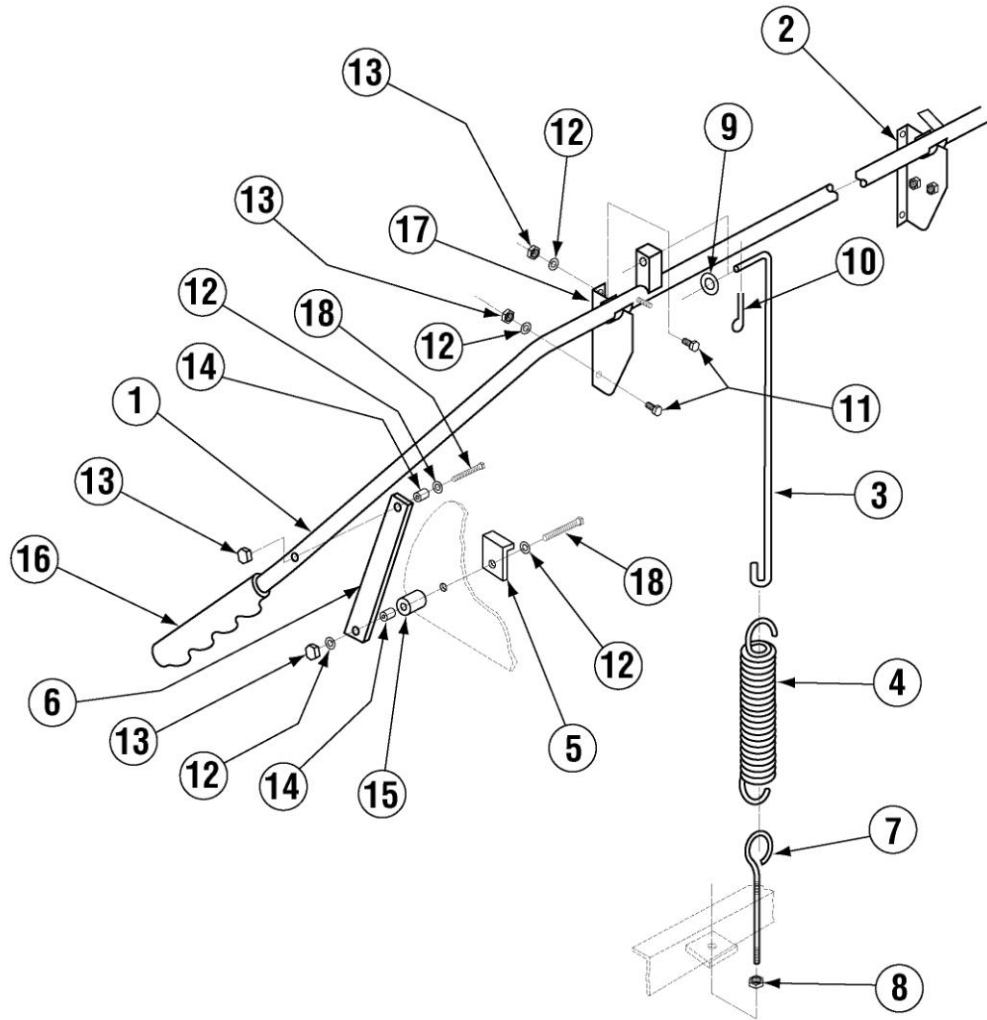
1.1.6 Final Rinse System Assembly



ITEM NO.	NO. REQ'D	P/N	DESCRIPTION
1	1	17401.00	Final Rinse Manifold
2	2	04305.17	Red Silicone Gasket (CMA-180)
3	1	13607.40	180VL Final Rinse Pipe Ass.
4	6	00914.00	1/4"-20x5/8 Hex Bolt
5	4	00308.17	Rinse Arm SS End Plug
6	2	00304.29	^Rinse Arm w/ Bearings (180&180UC)
7	6	00912.00	1/4"-20 Nylon Lock Nut
8	6	00924.00	1/4"SS Washer
9	1	13607.20	3/8 Compression Fitting Sleeve
10	1	05004.10	3/8" SS Tubing
11	1	00436.20	3/8" Comp X 1/2" MIP Fitting
11A	1	13607.10	3/8 Compression Fitting Nut
12	1	13669.45	Mixing Chamber SS CMA 180UC
13	1	03232.00	1/8 Male Plug
14	1	13629.00	1/2" S.S. Close Nipple

ITEM NO.	NO. REQ'D	P/N	DESCRIPTION
15	1	03624.00	1/2" Vacuum Breaker
15A	--	03623.00	1/2" Vacuum Brkr Kit-
15B	--	03624.25	1/2" Brass Bonnet
15C	--	00739.50	3/4" Vacuum Breaker Cap
15D	--	00421.51	6-32 x 1/4" SS Pan Head Screw Phillips
16	2	00760.00	5/8 Comp x 1/2 MIP Adapter
17	1	13607.44	180VL Rinse Plumbing Line
18	1	00745.00	1/2 90Deg Street Elbow
19	1	03107.00	Flexible Black Hose 1/2"
20	1	03101.45	Hose Clamp #4
21	1	40014.00	1/2m x 1/2 Barb Straight
22	1	00743.00	1/2 Tee F x F x F Brass (Plated)
23	1	13642.00	1/2" Male Plug Brass
24	1	4305.17	Red Silicone Gasket (CMA-180)

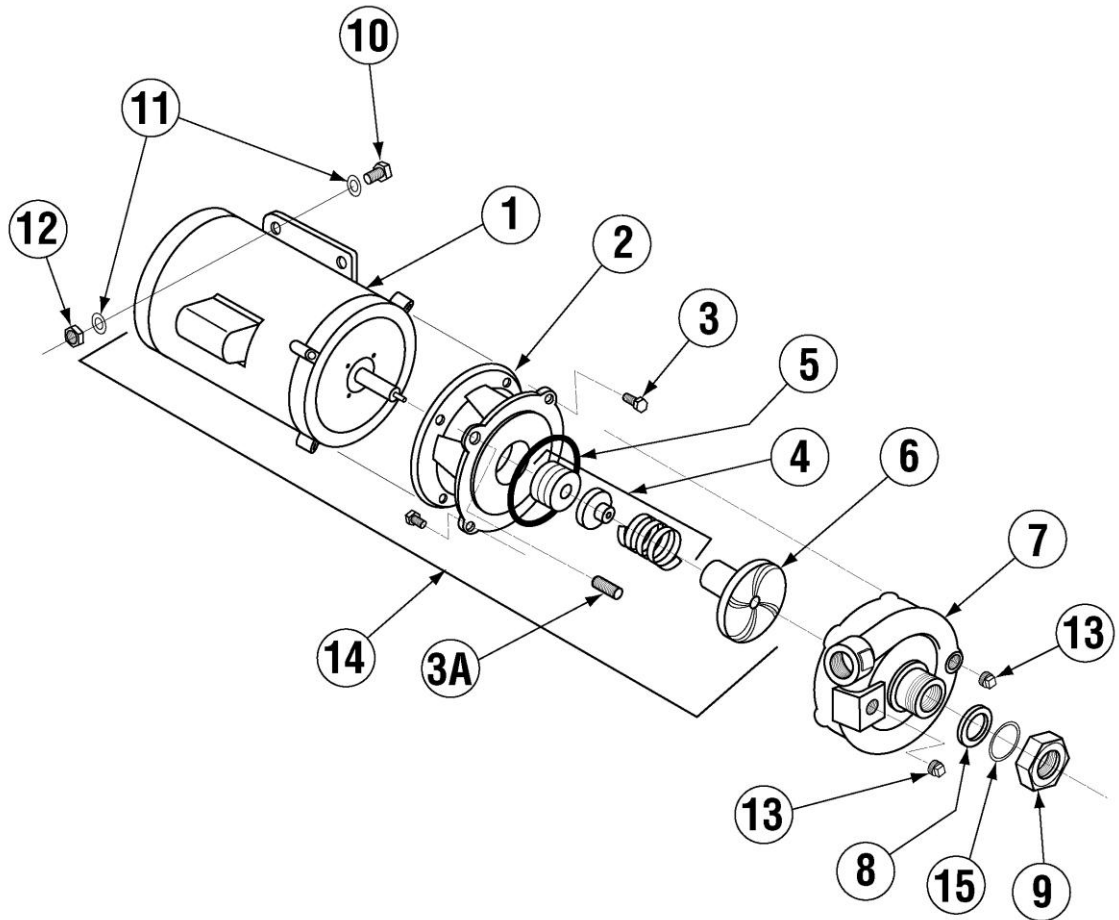
1.1.7 Door Handle Assembly



ITEM NO.	NO. REQ'D	P/N	DESCRIPTION
1	1	00613.32	Door Handle
2	1	01556.50	Right Door Handle Support 1"
3	2	00603.07	Door Spring Extension Rod
4	2	00602.00	Door Spring
5	2	17552.00	Door Stop
6	2	01553.00	Door Handle Link
7	2	00606.00	5/16"-18 x 7" Eyebolt
8	2	00913.00	5/16"-18" Nut
9	2	00926.00	5/16" SS Washer

ITEM NO.	NO. REQ'D	P/N	DESCRIPTION
10	2	00900.00	Cotter Pin
11	4	00906.00	1/4"-20 x 1/2" Hex Head screw
12	8	00924.00	1/4" SS Washer
13	8	00912.00	1/4"-20" Nylon Insert Lock Nut
14	4	00610.00	Door Handle Spacer (Small)
15	4	00611.00	Door Handle Spacer (Large)
16	2	00607.04	Door Handle Grip
17	1	01555.50	Left Door Handle Support
18	4	00903.00	1/4"-20 x 1 3/4" Hex Screw

1.1.8 Pump System Assembly

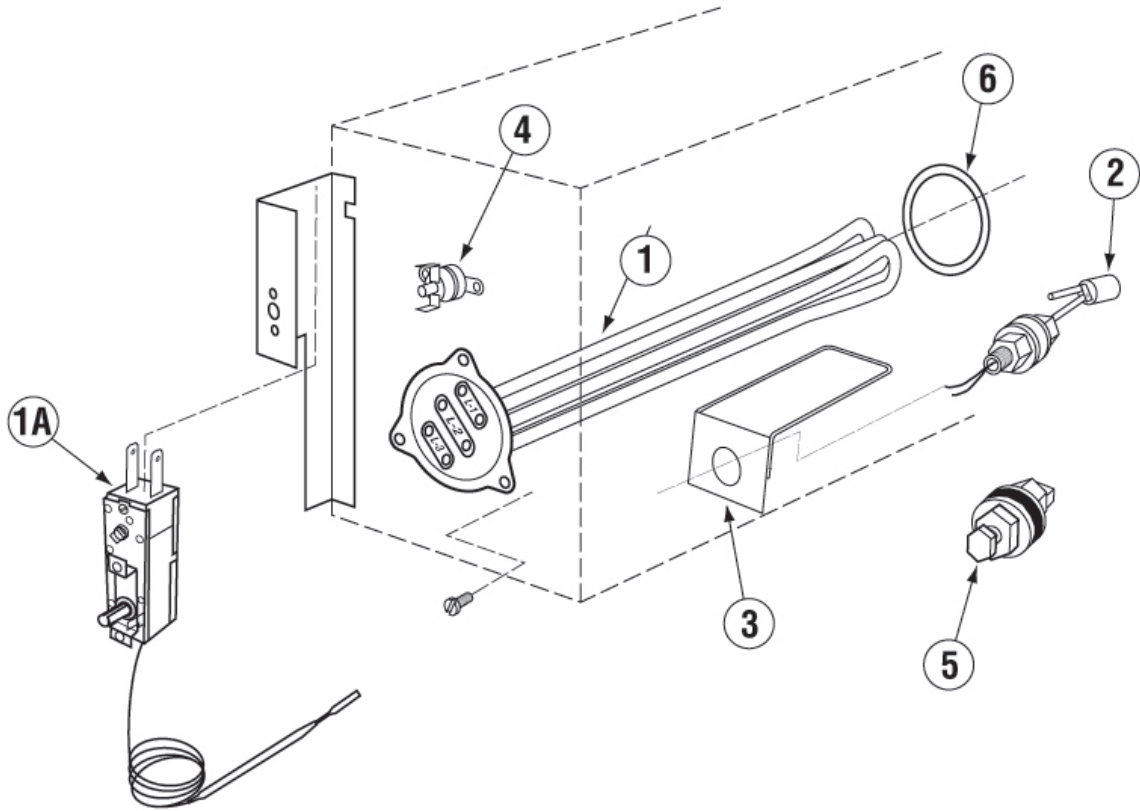


ITEM NO.	NO. REQ'D	P/N	DESCRIPTION
1	1	00201.00	Pump Motor 1 HP
2	1	03224.00	Small Pump Base
3	6	00921.00	3/8"-16 x 34" Hex Head Bolt
3A	2	00975.00	3/8-16 x 1 1/2" Stud
4	1	00206.00	Pump Seal Kit
5	1	03226.00	Pump "O" Ring
6	1	03222.05	Impeller
7	1	04206.00	Pump Cover

ITEM NO.	NO. REQ'D	P/N	DESCRIPTION
8	1	00208.00	Slip Joint Nut Gasket
9	1	04204.00	Compression Nut (2.5)
10	2	00906.00	1/4"-20 x 1/2" Hex Bolt
11	2	00924.00	1/4" SS Washer
12	2	00912.00	1/4"-20 Nylon Lock Nut
13	2	00238.00	3/8" Male Plug
*14	Assy.	00200.10	Pump Assy
15	1	00208.20	Slip Joint Nut Friction Ring

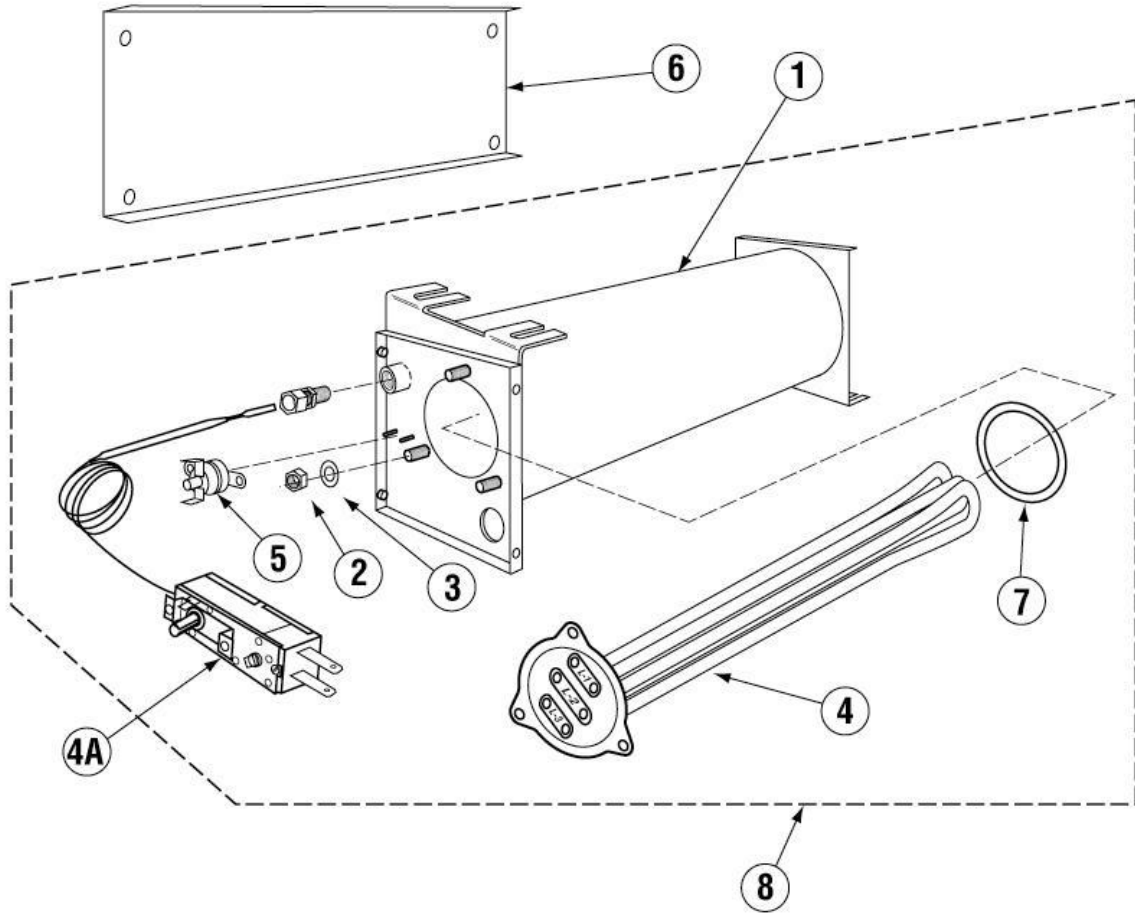
*P/N 00200.10 Includes Items 1,2,3,4,5 and 6

1.1.9 Wash Tank Heater (Triangular Flange)



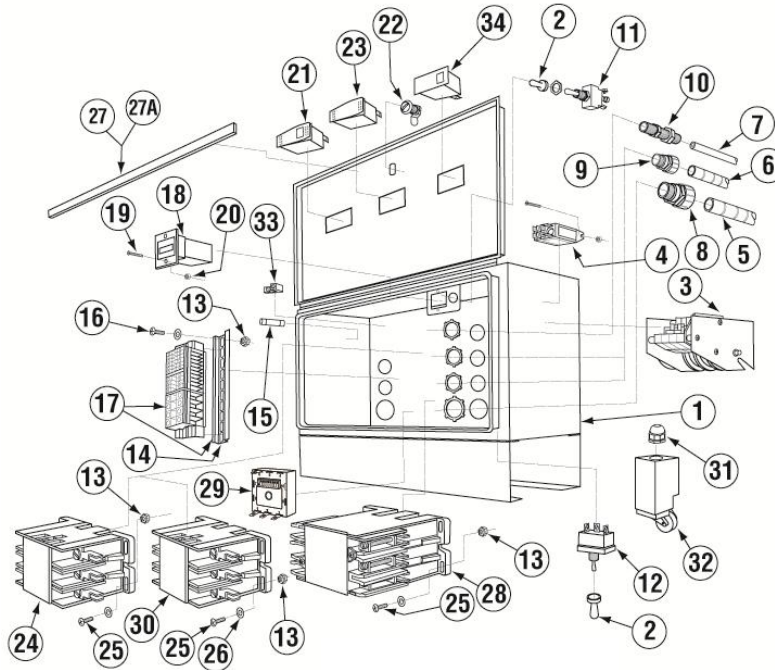
ITEM NO.	NO. REQ'D	P/N	DESCRIPTION
1	1	15518.00	Heater 6kW 220V Triangular Flange
1A	1	13417.92	Heater Thermostat
2	1	13463.14	Liquid Level Switch
3	1	13463.51	Liquid Level Switch Shield
4	1	17523.51	Hi-Limit Switch - Wash 250 Degrees
5	1	13477.20	7/8" Probe Hole Plug
6	1	15518.10	Gasket for Triangular Flange Heater

1.1.10 Booster Tank Heater (Triangular Flange)



ITEM NO.	NO. REQ'D	P/N	DESCRIPTION
1	1	17550.20	Booster Tank
2	3	13805.00	Nylon Lock Nut 5/6"-18
3	3	00926.00	Washer SS 5/16"
4	1	13422.71	240V 12KW Triangular Immersion Htr
4A	1	13417.92	Thermostat 12KW Heater
5	1	17523.51	Hi-Limit Switch-Booster 250 degrees
6	1	17520.00	Booster Heater Shield
7	1	15518.10	Gasket for Triangular Flange Heater
8	1	17560.00	Complete Assembly

1.1.11 Control Box Assembly



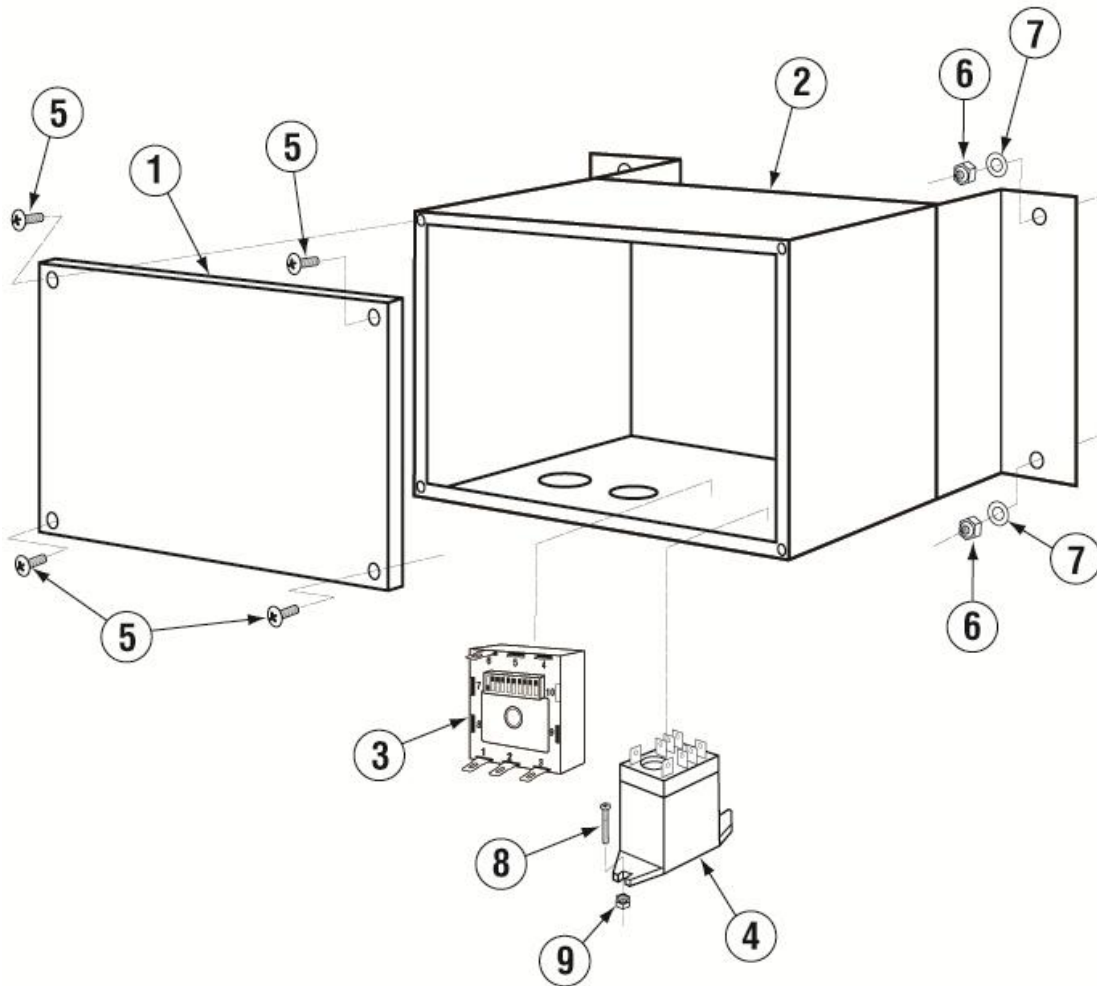
ITEM NO.	NO. REQ'D	P/N	DESCRIPTION
1	1	17503.19	CMA-180 Control Box
2	2	00470.10	Toggle Switch Rubber Boot
3	1*	00409.93	CMA-180VL Timer Assy.
3A	1	00500.20	Timer Motor (Not Shown)
4	1(2*)	00631.05	Ice Cube Relay 220V
5	6 Ft.	00400.85	Conduit 3/4" Sealite
6	6 Ft.	00400.10	Conduit 1/2" Sealite
7	2 Ft.	00400.00	Conduit 3/8" Sealite
8	1	00401.85	St-3/4" Straight Connector
9	1	00401.10	St-1/2" Straight Connector
10	1	00401.00	St-3/8" Straight Connector
11	1	00475.00	Delimer Switch DPDT 15A
12	1	03470.00	Toggle Switch Momentary (Screw Terminal)
13	8	03801.00	Nylon Lock Nut 10-32
14	1	17400.06	Mountain Din Rail
15	1	13403.26	Fuse 3A/250V Slow Blow
16	2	00941.00	Pan Head Screw 10 -32 x 5/8"
17	1	17400.17	Terminal Block Assembly
17A	2	17400.04	30 Amp Terminal Block-Red
17B	3	17400.03	60 Amp Terminal Block-Black
17C	4	17400.02	85 Amp Terminal Block-Natural

* Includes timer motor p/n 501.17 and microswitch p/n 411.00

ITEM NO.	NO. REQ'D	P/N	DESCRIPTION
17D	2	17400.08	30 Amp Terminal Block-Blue
17E	2	17400.09	30 Amp Terminal Block-Natural
17F	1	17400.07	60 Amp Terminal Block-Green
18	1	03408.55	Counter Face Mount 220V
19	4	00911.00	Pan Head Screw 8-32 x 1/2"
20	4	00927.00	Lock Nut 8-32
21	1	00421.90	Power Switch
22	1	00449.50	Keyless Lock
23	1	00421.89	Rocker Switch Auto Fill
24	1	00404.85	Motor Contactor 208/240V 20A
25	6	13825.00	Pan Head Screw 8-31 x 1"
26	6	04806.00	#10 Brass Washer
27	2	17503.17	Control Box Sponge Long
27A	2	17503.18	Control Box Sponge Short
28	1**	13003.17	Contactor 60A 3 Pole 220V
29	1	13418.60	Dip Switch Timer 230V
30	1	13003.50	Heater Contactor 40 Amp
31	1	00562.60	Door Roller Switch Connector
32	1	00562.00	Door Roller Switch
33	1	13426.50	Ground Block
34	1	00421.78	Illuminated Plug

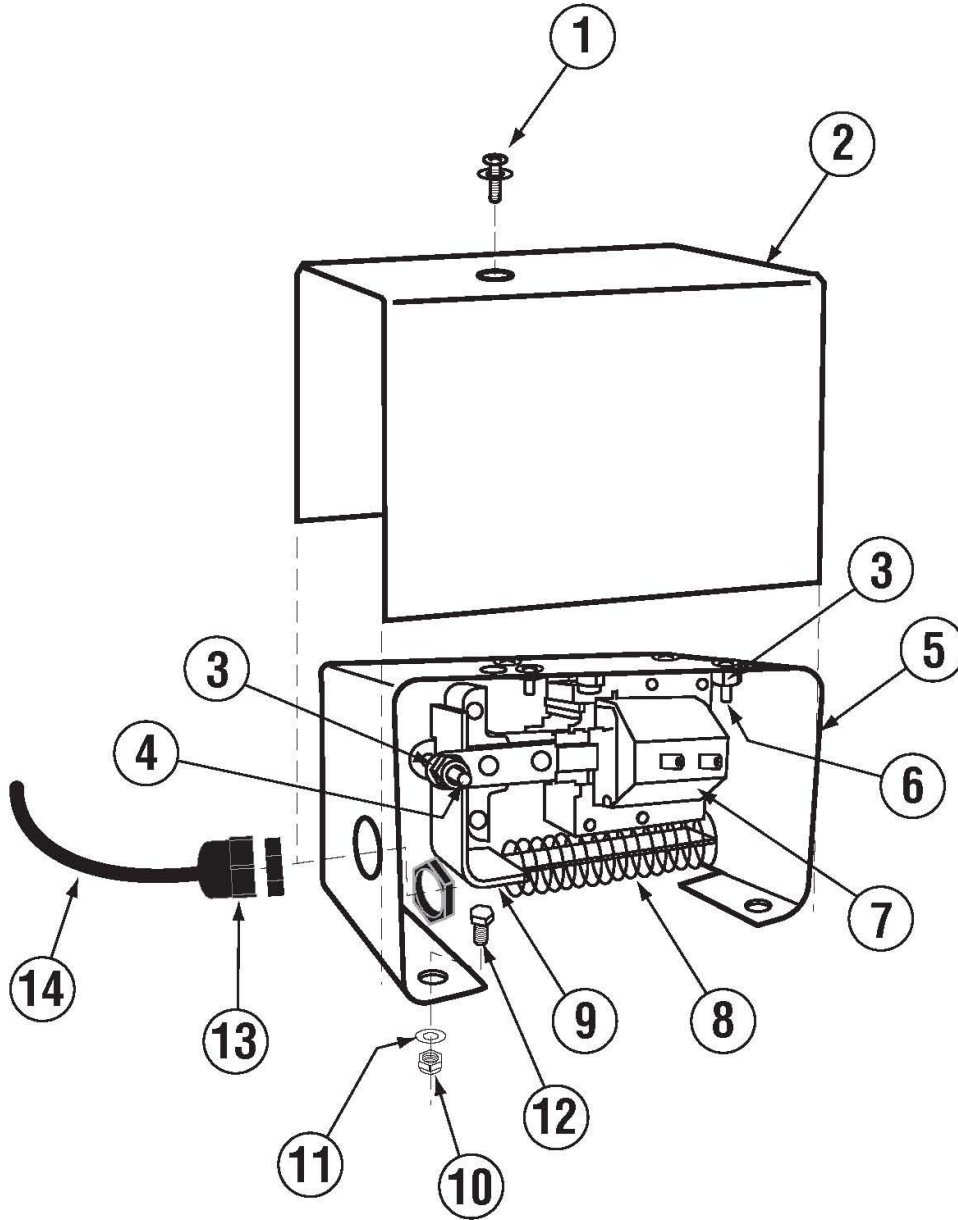
** Only for the machines with booster heater

1.1.12 Heat Recovery System Control Box



ITEM NO.	NO. REQ'D	P/N	DESCRIPTION
1	1	17599.10	CMA-180 Ventless Control Box Lid
2	1	17599.00	CMA-180 Ventless Control Box
3	1	13418.60	Dip Switch Timer 230 V
4	1	00631.05	Ice Cube Relay 220V 12 Amp
5	4	00940.50	10-32 X 3/8 Truss Head Screw
6	4	0013805	5/16-18 Nylon Insert Lock Nut
7	4	00926.00	5/16 SS Washer
8	2	00907.00	6-32 X 1/2 SS Panhead Screw
9	2	00965.00	6-32 Nylon Insert Lock Nut

1.1.13 Door Safety Interlock (DSI) Assembly P/N 17711.80



ITEM NO.	NO. REQ'D	P/N	DESCRIPTION
1	1	03801.40	10-32 x 1/2 Cone Screw
2	1	17709.30	DSI Cover
3	5	00927.00	8-32 Nylon Lock Nut
4	1	00902.00	8-32 X 1 1/4 Panhead Bolt
5	1	17709.50	DSI Mount
6	4	00970.60	8-32 x 1/2 Flat Screw
7	1	00100.05	Drain Ball Solenoid 240V

ITEM NO.	NO. REQ'D	P/N	DESCRIPTION
8	1	00105.00	Solenoid Spring
9	1	17709.11	CMA-180VL Interlock Bar
10	4	00912.00	1/4-20 Nylon Lock Nut
11	4	00924.00	1/4-20 Nut w/ Grip Washer
12	4	00906.00	1/4-20 X 1/2 Hexhead Bolt
13	1	00562.60	Roller Door Switch
14	1	00547.00	Switch Cord 18 AWG