



MAESTRALE EXTRA



OPERATOR'S MANUAL
CARNET D'INSTRUCTIONS
MANUAL DE INSTRUCCIONES

1 TECHNICAL CHARACTERISTICS

			12.1	12.2	12.3	12.4
			20.1	20.2	20.3	20.4
Transparent removable bowls	n		1	2	3	4
Capacity of each bowl, approx.	l		12	12	12	12
			20	20	20	20
Dimensions:						
width	cm		18	36	54	72
depth	cm		47	47	47	47
height	12 lt	cm	57	57	57	57
	20 lt		67	67	67	67
Net weight, approx.	12 lt	kg	17	23	37	50
	20 lt		18	26	42	53
Gross weight, approx.	12 lt	kg	19	26	40	55
	20 lt		20	29	45	56
Adjustable thermostats	n		1	2	3	4
Hermetic compressor						
Air-cooled condenser						
Overload protector						
Noise level lower than 70 dB (A)						

- 4 A minimum of 15 cm (6") of free air space all around the unit should be allowed to guarantee adequate ventilation.
- 5 Ensure that the legs are screwed tightly into the base of the machine.
Replace the standard legs originally installed with the 100 mm (4") legs whenever they are provided with the unit.
- 6 In case of units with gravity faucet, install it according to this handbook instructions (chapter 5.3.4 ASSEMBLY).
- 7 Before plugging the unit in, check if the voltage is the same as that indicated on the data plate. Plug the unit into a grounded, protected single phase electrical supply according to the applicable electrical codes and the specifications of your machine. The electrical disconnect switch shall have a contact separation in all poles, providing full disconnection under over voltage category III conditions. Do not use extension cords.



IMPORTANT

Read electrical ratings written on the data plate of the individual units; the data plate is adhered on the dispensing side panel of the unit, just behind the drip tray (the right side drip tray in multiple bowl models). The serial number of the unit (preceded by the symbol #) is adhered just below the right bowl. Data plate specifications will always supersede the information in this manual.

Specifications are subject to change without notice.

2 INTRODUCTION

It is necessary to read all sections of this manual thoroughly to familiarize yourself with all aspects of the unit.

Like all mechanical products, this machine will require cleaning and maintenance. Besides, dispenser working can be compromised by operator's mistakes during disassembly and cleaning. It is strongly recommended that personnel in charge of the equipment's daily operations, disassembly, cleaning, sanitizing and assembly, go through these procedures in order to be properly trained and to make sure that no misunderstandings exist.

3 INSTALLATION

- 1 Remove the corrugate container and packing materials and keep them for possible future use.



IMPORTANT

When handling the machine never grasp it by the bowls or by the evaporator cylinders. The manufacturer refuses all responsibilities for possible damages which may occur through incorrect handling.

- 2 Inspect the uncrated unit for any possible damage. If damage is found, call the delivering carrier immediately to file a claim.
- 3 Install the unit on a counter top that will support the combined weight of dispenser and product bearing in mind what is stated in the preceding point 1 IMPORTANT warning.



ATTENTION

Failure to provide proper electrical ground according to applicable electrical codes could result in serious shock hazard.

- 8 Each drip tray has two diaphragm plugs: if a continuous drain is needed, perforate one of the drain plugs and connect it to a flexible drain line (see figure 1).

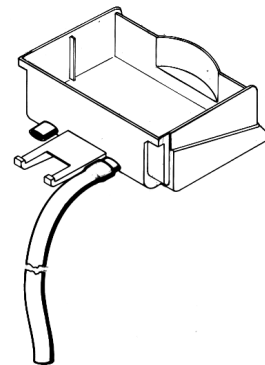


figure 1

- 9 The unit doesn't come presanitized from the factory. Before serving products, the dispenser must be disassembled, cleaned and sanitized according to this handbook instructions (chapter 5.3 CLEANING AND SANITAZING PROCEDURES).



IMPORTANT

Install the dispenser so that the plug is easily accessible.

- 10 The appliances shall be installed only in places where qualified people could control them.

4 TO OPERATE PROPERLY AND SAFELY



IMPORTANT

This appliance can be used by children aged from 8 years and above and persons with reduced physical, sensory or mental capabilities or lack of experience and knowledge if they have been given supervision or instruction concerning use of the appliance in a safe way and understand the hazards involved.

- 1 Do not operate the dispenser without reading this

operator's manual.

- 2 **Do not** operate the dispenser unless it is properly grounded.
- 3 **Do not** use extension cords to connect the dispenser.
- 4 **Do not** operate the dispenser unless all panels are restrained with screws.
- 5 **Do not** obstruct air intake and discharge openings: 15 cm (6") minimum air space all around the dispenser.
- 6 **Do not** put objects or fingers in panels louvers and faucet outlet.
- 7 **Do not** remove bowls, augers and panels for cleaning or routine maintenance unless the dispenser is disconnected from its power source.



ATTENTION

In case of damages, the power cord must be replaced by qualified personnel only in order to prevent any shock hazard.

- 8 This unit is **not** meant to be used outside.
- 9 This unit is **not** to be installed in areas subject to water-spouts..
- 10 **Do not** use water-jets to clean the unit.
- 11 This unit can work in a room temperature range between +5° and +32°C.
- 12 The device must be positioned vertically at a height of min. 80cm / max . of 110cm from the floor.
- 13 **Do not** clean with sprinkling water.
- 14 Remind to use appropriate gloves during handling and preparation of food.
- 1 **Do not** store explosive substances such as aerosol cans with a flammable propellant in this appliance.
- 15 This appliance is intended to be used in household and similar applications.



ATTENTION

The use of the machine is reserved to operators who are familiar and have practice with the appliance, especially as regards to hygiene and safety.

- 16 Children **shall not** play with the appliance.
- 17 Cleaning and user maintenance **shall not** be made by children without supervision.

5 OPERATING PROCEDURES

- 1 Clean and sanitize the unit according to the instructions in this manual. See chapter 5.3 CLEANING AND SANITIZING PROCEDURES.
- 2 Fill the bowls with product to the maximum level mark. Do not overfill.
The exact quantity of product (expressed as liters and gallons) is shown by marks on the bowl.
- 3 In case of products to be diluted with water, potable water, pour water into bowl first, then add correct quantity of product. In case of natural squashes, it is advisable to strain them, in order to prevent pulps from obstructing the faucet outlet.
- 4 Install the covers and check that they are correctly placed over the bowls.
- 5 Set the control switches as shown in chapter 5.1 DESCRIPTION OF CONTROLS.
- 6 The dispenser must always run with the covers installed to prevent a possible contamination of the product.
- 7 Always leave the dispenser on, as the refrigeration stops

automatically when the beverage reaches the dispensing temperature. The mixing devices will continue to turn.
8 To maintain a high standard of flavour, keep refrigeration and mixing devices on during the night when beverage is in the bowl.



IMPORTANT

**Operate the dispenser with food products only.
Fill with potable water.**

- 1 On machine equipped with lighted top cover turn the cover for 180 degrees to switch light off. (see figure 2)

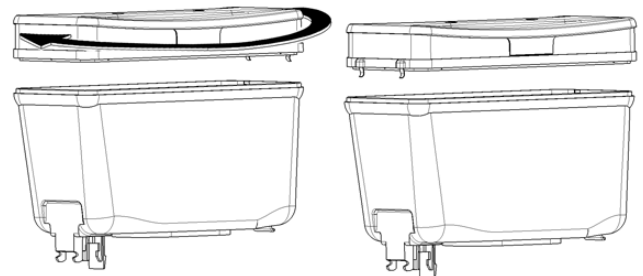


figure 2

5.1 DESCRIPTION OF CONTROLS

The dispenser is equipped with a power switch and each bowl is operated by a mixing device switch (pump switch for BS lines, mixer switch for AB - BS2M line). Their functions are as follows:

Power switch

- | | | |
|------------|-------|--|
| 0 position | OFF ○ | : power is turned OFF to all functions. |
| I position | ON ■ | : This position operates the fan motor and makes the mixing devices suitable to be turned on by relevant switches. |

Mixing device switch

- | | | |
|------------|---|-----------------------|
| 0 position | OFF ○ | : OFF. |
| I position |  ■ | : mixing device runs. |

To operate the dispenser

- 1 Set power switch to I position.
- 2 Set mixing device switch(es) to I position.

5.2 OPERATION HELPFUL HINTS

- 1 The length of time for cooling down the product is governed by many variables, such as ambient temperature and beverage initial temperature.

2 To shorten product cooling down time and increase productivity, it is advisable to pre-chill the product to be used in the dispenser.

3 To shorten product cooling down time and increase productivity, the bowl should be refilled after the product level drops lower than half and at the start of each day.

4 The dispenser must be able to emit heat. In case it seems excessive, check that no heating source is close to the unit and air flow through the slotted panels is not obstructed by wall or boxes. Allow at least 15 cm (6") of free clearance all around the dispenser. In any case if the product in the bowls is cold the unit is running properly.

5 How to reset beverage temperature: to reset beverage temperature please apply to a technician. The proper temperature is preset at the factory.

6 To avoid the risk of falling, the area around the machine should remain dry.

take the pinch tube off from its seat (2) (see figure 4).

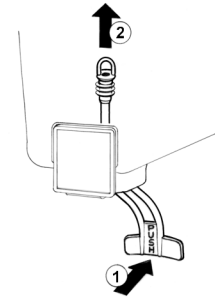


figure 4

6 Gravity faucet: extract the piston and then remove the dispensing handle (see figure 5).

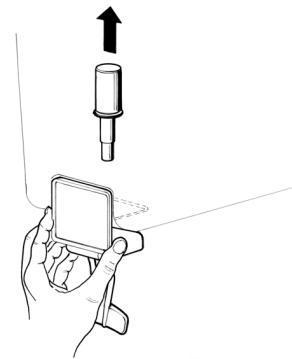


figure 5



ATTENTION

The access to the service area is restricted to persons having safety/hygiene knowledge and practical experience on the appliance.

5.3 CLEANING AND SANITIZING PROCEDURES

Cleaning and sanitizing of the dispenser are recommended to guarantee the conservation of the best product taste and the highest unit efficiency. This section is a procedural guideline only and is subject to the requirements of the local Health Authorities. Prior to the disassembly and cleaning, the machine must be emptied of product.

7 Slide drip tray out and empty it.

5.3.1 DISASSEMBLY



ATTENTION

Before any disassembly and/or cleaning procedure make sure that the dispenser is disconnected from its power source by unplugging it.

- 1 Remove cover from the bowl.
- 2 Remove the empty bowl by lifting pulling lever (1) and its front side (faucet side) up and off bowl gasket (see figure 3).

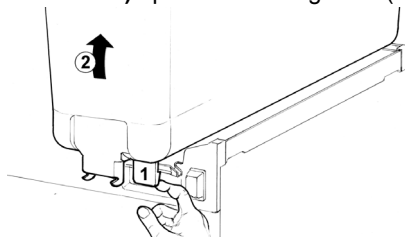


figure 3

- 3 Remove the bowl gasket.
- 4 Remove the pump impeller from its location.
- 5 Pinch tube faucet: push the dispensing handle (1) and

5.3.2 CLEANING



ATTENTION

Before any disassembly and/or cleaning procedure make sure that the dispenser is disconnected from its power source.



IMPORTANT

Do not attempt to wash any machine components in a dish washer.

1 Prepare at least two gallons of a mild cleaning solution of warm (45-60 °C 120-140 °F) potable water and dishwashing detergent. Do not use abrasive detergent. Important: if present, follow label directions, as a too strong solution can cause parts damage, while a too mild solution will not provide adequate cleaning.



IMPORTANT

In order to prevent any damages to the dispenser use only a detergent suitable with plastics parts.

2 Using a brush, suitable for the purpose, thoroughly clean all

disassembled parts in the cleaning solution.



ATTENTION

When cleaning the machine, do not allow excessive amounts of water around the electrically operated components of the unit. Electrical shock or damage to the machine may result.

- 3 Do not immerse the lighted top covers in liquid. Wash them apart with the cleaning solution. Carefully clean their undersides.
- 4 In the same manner clean the evaporator plates using a soft bristle brush.
- 5 Rinse all cleaned parts with cool clean water.

5.3.3 SANITIZING

Sanitizing should be performed immediately prior to starting the machine. Do not allow the unit to sit for extended periods of time after sanitization.

- 1 Wash hands with a suitable antibacterial soap.
- 2 Prepare at least two gallons of a warm (45-60 °C 120-140 °F) sanitizing solution (100 PPM available chlorine concentration or 1 spoon of sodium hypochlorite diluted with two litres of water) according to your local Health Codes and manufacturer's specifications.
- 3 Place the parts in the sanitizing solution for five minutes.
- 4 Do not immerse the lighted top covers in liquid. Carefully wash their undersides with the sanitizing solution.
- 5 Place the sanitized parts on a clean dry surface to air dry.
- 6 Wipe clean all exterior surfaces of the unit. Do not use abrasive cleaner.

5.3.4 ASSEMBLY

- 1 Slide the drip tray into place.
- 2 **Pinch tube faucet:** push the dispensing handle (1) and insert the pinch tube into its vertical seat in the bowl bottom(2). Lightly pull the pinch tube end downwards til it is well arranged (3) (see figure 6).

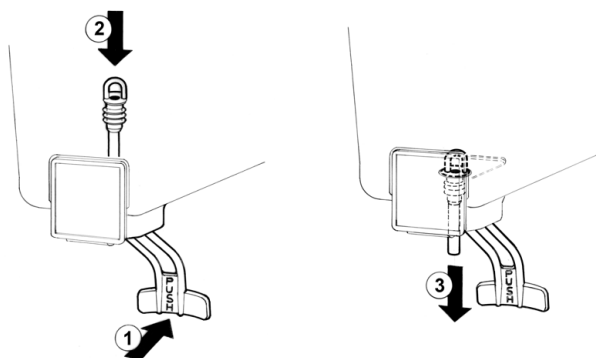


figure 6

- 3 **Gravity faucet:** install the faucet handle and the piston with

its gasket (see figure 7).

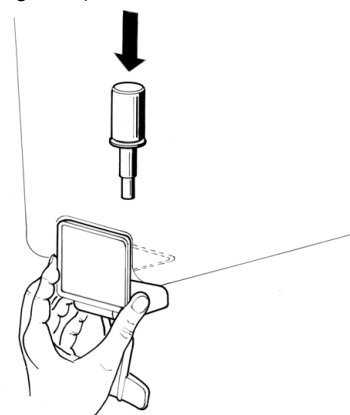


figure 7

- 4 Fit the bowl gasket to the evaporator. Note: the larger brim of the gasket must face against the drip plate (see figure 8).

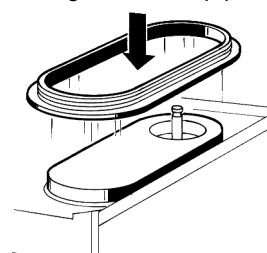


figure 8

- 5 Place bowl on the unit. Wet the gasket for ease of insertion. Please take care that the hook on the backside of the bowl be inserted properly in its seat on the upper drip plate. (see figure 9).

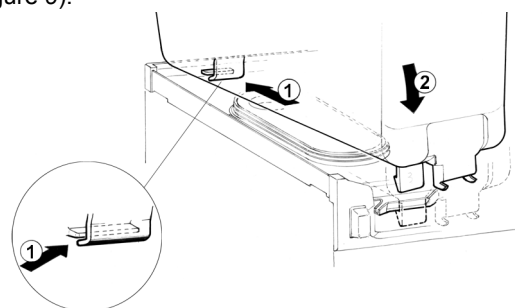


figure 9

- 6 Use fresh product to chase any remaining sanitizer from the bowl(s). Drain this solution. Do not rinse out the machine.

5.4 IN-PLACE SANITIZATION

Daily: The In-Place Sanitization prior to starting the machine may be performed, if needed, only as further precaution, in addition to the Disassembled Parts Sanitization described before, but never in lieu of it.

- 1 Prepare two gallons of a warm (45-60°C, 120-140 °F) sanitizing solution (100 PPM chlorine residual) according to your local Health Codes and manufacturer's specifications.
- 2 Pour the solution into the bowl(s).
- 3 Using a brush suitable for the purpose, wipe the solution on all surfaces protruding above the solution-level and on the underside of the top cover(s).
- 4 Install the top cover(s) and operate the unit. Allow the solution to agitate for about two minutes. Drain the solution out of the bowl(s).
- 5 Use fresh product to chase any remaining sanitizer from the bowl(s). Drain this solution. Do not rinse out the machine.

6 ROUTINE MAINTENANCE

- 1** Replacement of lighted top cover bulbs (see figure 10) :
- Remove the fixing screws placed in the upper part of the top cover,
 - remove the lower part and replace the bulbs (using a 24-28V 21W max bulbs).
 - Reassemble the top cover and replace the fixing screws.

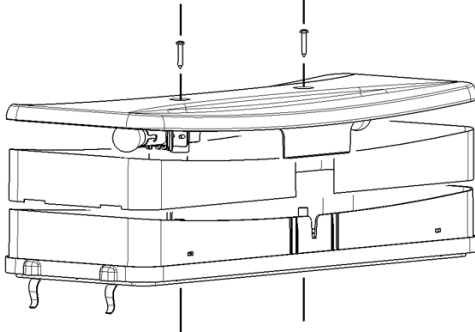


figure 10

- 2 Daily:** inspect the machine for signs of product leaks past seals and gaskets. If proper assembly does not stop leaks around seals or gaskets, check for improper lubrication, worn or damaged parts. Replace parts as needed with original spare parts from the supplier.



IMPORTANT

Use gloves of a minimum PL 0-4 class (EN388).

6.1 MAINTENANCE (TO BE CARRIED OUT BY QUALIFIED SERVICE PERSONNEL ONLY)

Montly: clean all internal components, primarily the condenser, using compressed air, in order to remove dust.
To clean these internal parts, unplug the unit.
Condenser fins are very sharp. Use extreme caution when cleaning.



ATTENTION

Verify the correct position of the cable before closing the cabinet and before supplying electricity.

1 CARACTERISTIQUES TECHNIQUES

			12.1 20.1	12.2 20.2	12.3 20.3	12.4 20.4
Réservoirs transparents démontables	n		1	2	3	4
Capacité chaque réservoir, environ	l		12 20	12 20	12 20	12 20
Dimensions:						
largeur	cm		18	36	54	72
profondeur	cm		47	47	47	47
hauteur	cm	12 lt 20 lt	57 67	57 67	57 67	57 67
Poids net, environ	kg	12 lt 20 lt	17 18	23 26	37 42	50 53
Poids brut, environ	kg	12 lt 20 lt	19 20	26 29	40 45	55 56
Thermostats réglables	n		1	2	3	4
Motocompresseur hermétique						
Condenseur à ventilation mécanique						
Protège-moteur						
Niveau de bruit inférieur à 70 dB (A)						



IMPORTANT

Caractéristiques électriques: lire les données reportées sur la plaque de chacun des distributeurs; celle-ci est située dans la partie inférieure du panneau frontal, derrière le tiroir égouttoir de droite. Les numéros de matricule des appareils (précédés du symbole #) sont placés derrière le robinet de droit. Les données reportées sur la plaque sont toujours celles auxquelles il faut se référer.

Nous nous réservons le droit d'apporter des modifications sans préavis.

2 INTRODUCTION

Il est nécessaire de lire attentivement ce carnet d'instructions afin de connaître toutes les caractéristiques du distributeur. Comme tous les produits mécaniques, ce distributeur a besoin d'être nettoyé et entretenu. Son bon fonctionnement peut être compromis par d'éventuelles erreurs commises par l'opérateur pendant les phases de démontage et de nettoyage. Il est donc important que les procédures de démontage, lavage, désinfection et remontage, qui sont des opérations quotidiennes, soient connues sans possibilité d'erreur par tout le personnel chargé du distributeur.

3 INSTALLATION

1 Sortir le distributeur de son emballage et garder celui-ci pour toute nécessité future.



IMPORTANT

Pendant les opérations de transport ou de soulèvement, le distributeur ne doit jamais être saisi par les réservoirs transparents ou par les cylindres évaporateurs. Le fabricant ne répond pas des dommages provoqués par ce genre de manœuvre erronée.

2 Contrôler que le distributeur n'ait pas été endommagé pendant le transport. Si c'est le cas, faire immédiatement une réclamation au transporteur.

3 Placer le distributeur sur un comptoir en mesure d'en supporter le poids, y compris à pleine charge, **en tenant compte de ce qui a été dit dans l'avertissement IMPORTANT du point 1 précédent.**

4 Laisser un espace libre d'au moins 15 cm autour du distributeur pour ne pas empêcher le passage du flux d'air de refroidissement.

5 Contrôler la stabilité de l'appareil en réglant éventuellement les pieds en hauteur.

6 Robinet en inox à gravité. Monter le robinet en suivant les avertissements du paragraphe 5.3.4. REMONTAGE.

7 Avant de brancher le distributeur à l'électricité, contrôler que la tension de réseau est la même que celle indiquée sur la plaque. Brancher le distributeur à un réseau monophasé, en utilisant une prise avec mise à la terre conformément aux normes en vigueur. En cas d'utilisation d'un interrupteur unipolaire pour couper l'alimentation électrique de l'appareil, celui-ci doit garantir le respect d'une distance d'ouverture des contacts permettant un débranchement intégral dans des conditions de surtension de catégorie III. Ne pas utiliser de rallonges pour brancher électriquement l'appareil.



ATTENTION

S'assurer que l'appareil soit correctement branché à la terre; en cas contraire, il y a des risques d'électrocution pour les personnes et d'endommagement pour le distributeur.

8 Le tiroir égouttoir est équipé de deux raccords de drainage avec diaphragme. Si l'on désire que le vidage du tiroir s'effectue en continu, il faut percer le diaphragme (par exemple avec un tournevis) de l'un des deux raccords de drainage et le brancher à un tuyau d'évacuation (voir figure 1).

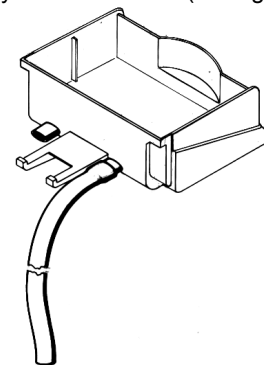


figure 1

9 Quand le distributeur sort de l'usine, il n'est ni prélavé, ni désinfecté. Avant de l'utiliser, il faut le démonter, le laver et le désinfecter en suivant les instructions fournies dans ce carnet au chapitre 5.3 NETTOYAGE.

10 Installer l'appareil là où il peut être contrôlé et utilisé exclusivement par un personnel qualifié.

4 POUR UN FONCTIONNEMENT CORRECT ET SANS DANGER



IMPORTANT

Cet appareil peut être utilisé par les enfants à partir de 8 ans, les personnes inexpérimentées ou présentant des capacités physiques, mentales ou sensorielles réduites, à condition d'avoir été surveillés et instruits sur l'utilisation sécurisée de l'appareil et après avoir compris les risques encourus.

- 1 **Ne pas** utiliser le distributeur avant d'avoir lu ce carnet d'instructions.
- 2 **Ne pas** utiliser le distributeur s'il n'est pas branché correctement à la terre.
- 3 **Ne pas** utiliser de rallonges pour brancher électriquement le distributeur.
- 4 **Ne pas** mettre le distributeur en fonction si les panneaux ne sont pas à leur place et bloqués avec des vis.
- 5 **Ne pas** faire obstacle au flux d'air de refroidissement; laisser un espace libre d'au moins 15 cm autour du distributeur.
- 6 **Ne pas** introduire les doigts ou des objets dans les fentes des panneaux et dans l'ouverture du robinet.
- 7 **Ne pas** démonter le réservoir, ni enlever les mélangeurs ou les panneaux pour le nettoyage ou l'entretien sans s'être assuré que le distributeur est débranché de l'électricité.



ATTENTION

Si le câble est endommagé, il doit être remplacé par le fabricant ou par son service technique ou de toute façon par du personnel qualifié pour éviter tout risque.

- 8 L'appareil **n'est pas** indiqué pour l'installation à l'extérieur.
- 9 **N'installez pas** l'appareil en zones sujets à jets d'eau.
- 10 **Ne pas** employer des jets d'eau pour le nettoyage de l'appareil.
- 11 La température ambiante adaptée pour le bon fonctionnement de l'appareil est entre +5° et +32°C.
- 12 L'appareil doit être positionné verticalement à une hauteur de 80 cm minimum et 110 cm maximum au dessus du sol.
- 13 **Ne pas** nettoyer l'appareil en l'aspergeant d'eau.
- 14 Toujours mettre des gants pour manipuler les aliments.
- 15 **Ne pas** entreposer dans cet appareil de substances explosives, comme des aérosols contenant du gaz propulseur inflammable.
- 16 Cet appareil est conçu pour être utilisé dans le cadre d'applications domestiques et similaires.



ATTENTION

L'utilisation de la machine est réservée aux opérateurs experts qui connaissent l'appareil, surtout en matière d'hygiène et sécurité.

- 17 Les enfants **ne sont pas** censés jouer avec l'appareil.
- 18 Les opérations de nettoyage et d'entretien **ne doivent pas** être effectuées par les enfants sans la surveillance d'un adulte.

5 MODE D'EMPLOI

- 1 Laver et désinfecter le distributeur avant de l'utiliser en suivant les instructions fournies dans ce carnet au chapitre 5.3 NETTOYAGE.
- 2 Remplir les réservoirs avec le produit choisi sans dépasser le niveau maximum indiqué sur les réservoirs. La quantité de produit dans le réservoir (exprimée en litres ou en gallons) est indiquée par les repères se trouvant sur le réservoir.
- 3 Si l'on désire distribuer des produits concentrés à diluer avec de l'eau, il faut verser l'eau dans les réservoirs et ajouter la quantité nécessaire de concentré en suivant les instructions du fabricant. Si l'on veut utiliser des jus de fruits pressés, il est conseillé de les filtrer afin d'éviter que les parties solides qu'ils contiennent puissent boucher le passage du robinet.
- 4 Monter les couvercles sur les réservoirs en s'assurant que ceux-ci sont positionnés correctement.
- 5 Agir sur les interrupteurs (voir chapitre 5.1 DESCRIPTION DES COMMANDES).
- 6 Le distributeur doit toujours fonctionner avec les couvercles montés afin d'éviter une éventuelle contamination du produit.
- 7 Le distributeur doit fonctionner sans interruption: le groupe frigorifique s'arrête automatiquement quand le produit est prêt. Les dispositifs de mélange continuent à fonctionner.
- 8 Pour garantir une bonne conservation de la boisson, le distributeur doit fonctionner également pendant la nuit.



IMPORTANT

Utiliser l'appareil seulement avec des produits alimentaires.
N'utiliser l'appareil qu'avec de l'eau potable.

- 9 Tournez le couvercle de 180° pour l'éteindre. (voir figure 2)

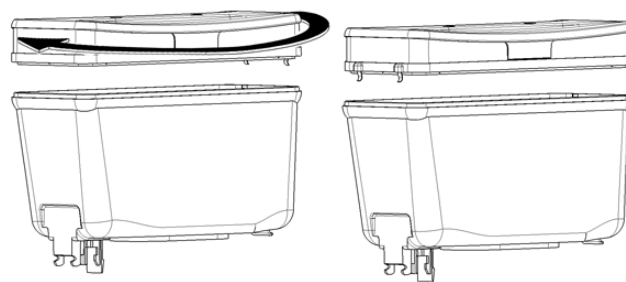


figure 2

5.1 DESCRIPTION DES COMMANDES


Le distributeur est équipé d'un interrupteur général et, pour chaque réservoir, d'un interrupteur pour le dispositif de mélange (pompe pour les lignes BS, brasseur pour la ligne AB - BS2M). Leurs fonctions sont les suivantes:


Interrupteur général (A)

Position 0 OFF ○ : Le distributeur est éteint.

Position I ON ■ : Le distributeur peut fonctionner. Ventilateur en marche.

Interrupteur de mélange

Position 0 OFF  : Le dispositif de mélange est arrêté.

Position I  : Le dispositif de mélange est en marche.

Pour le fonctionnement du distributeur:

- 1 - Placer l'interrupteur général en position I.
- 2 Placer les interrupteurs de mélange en position I.

5.2 SUGGESTIONS

1 Le temps nécessaire pour obtenir la réfrigération du produit varie en fonction de différents facteurs comme par exemple la température ambiante et la température initiale du produit.

2 L'efficacité du distributeur peut être augmentée en versant dans les réservoirs du produit pré-raffroidi.

3 Pour diminuer encore les temps de refroidissement et augmenter ainsi l'autonomie du distributeur, rajouter du produit dans les réservoirs quand le niveau est descendu à la moitié.

4 Chaque distributeur de ce genre doit émettre de la chaleur. Cependant, si cette émission semble excessive, il faut contrôler qu'aucune source de chaleur ne se trouve près du distributeur et, en particulier, près des panneaux munis de grilles. S'assurer également que le passage du flux d'air ne soit pas empêché par la proximité de murs, boîtes ou autres. Laisser au moins 15 cm d'espace libre autour du distributeur. Dans tous les cas, quand le produit à l'intérieur des réservoirs est froid, on peut être certains que tout fonctionne normalement et que la chaleur émise ne crée pas de dommages.

5 Réglage de la température: pour cette opération s'adresser à un technicien.
La température optimale de la boisson a été établie en usine.

6 Pour éviter tout risque de chute, la zone autour de la machine doit rester sèche.



ATTENTION

L'accès à la zone de service est exclusivement réservé aux personnes formées aux règles de sécurité/d'hygiène et à l'utilisation de l'appareil.

5.3 NETTOYAGE

Le nettoyage et le lavage sont fondamentaux pour garantir la parfaite conservation du goût de la boisson et l'efficacité maximale de votre distributeur. Les procédures décrites ci-après doivent être considérées comme étant de caractère général et elles peuvent varier en fonction de la réglementation sanitaire en vigueur.

Avant d'être démonté pour le lavage, le distributeur doit être vidé du produit.

5.3.1 DEMONTAGE



ATTENTION

Avant toute intervention de démontage, débrancher toujours électriquement le distributeur en retirant la fiche de la prise ou en éteignant l'interrupteur externe mural.

- 1 Enlever le couvercle du réservoir.
- 2 Enlever le réservoir vide en le levant du côté antérieur et en le défilant de son joint (voir figure 3).

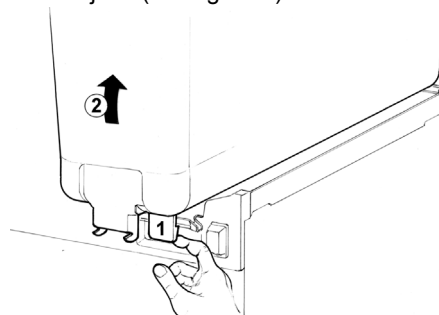


figure 3

- 3 Enlever le joint du réservoir.
- 4 Enlever la turbine de la pompe de son siège.
- 5 **Robinet avec tube en caoutchouc:** pousser (1) le levier de débit robinet et défiler (2) le tuyau robinet de son siège sur le fond du réservoir (voir figure 4).

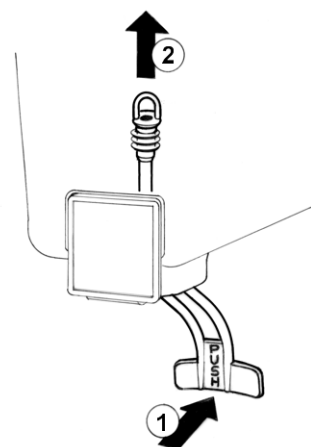


figure 4

- 6 **Robinet en inox à gravité:** défiler le piston et démonter le levier de débit robinet (voir figure 5).

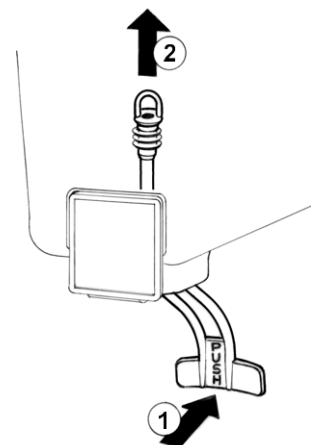


figure 5

- 7 Faire glisser le tiroir égouttoir et le vider.

5.3.2 LAVAGE



ATTENTION

Avant toute intervention de nettoyage, débrancher toujours électriquement le distributeur en retirant la fiche de la prise.



IMPORTANT

Aucun composant de l'appareil ne peut être lavé dans la lave-vaisselle.

1 Préparer une bassine d'environ huit litres d'eau chaude (45-60°C) et de détergent spécifique en respectant soigneusement les indications fournies par le fabricant; une solution trop concentrée peut en effet endommager les pièces à laver tandis que trop diluée elle risque de ne pas les nettoyer suffisamment bien. Ne pas utiliser de détergents abrasifs.



IMPORTANT

Afin d'éviter d'endommager le distributeur utiliser uniquement un détergent compatible avec les pièces en plastique.

2 Utiliser une brosse adéquate et laver soigneusement avec la solution détergente toutes les pièces qui sont en contact avec la boisson.



ATTENTION

Pendant le lavage du distributeur, il ne faut pas utiliser une quantité excessive d'eau en proximité des composants électriques; cela pourrait en effet entraîner des risques d'électrocution et d'endommagement du distributeur.

3 Rincer toutes les pièces lavées à l'eau courante.

5.3.3 DESINFECTATION DU DISTRIBUTEUR DEMONTE

La désinfection doit être exécutée immédiatement avant de mettre le distributeur en fonction. Il faut éviter que celui-ci ne fonctionne pas, pour une longue période après avoir été désinfecté.

1 Avant de débiter les procédures décrites ci-après, se laver les mains avec un savon antibactérien.

2 Préparer dans une bassine environ huit litres de solution d'eau chaude (45-60°C) et de produit désinfectant, approuvé par les autorités de votre Pays, en respectant les indications du producteur. En l'absence d'un produit désinfectant spécifique, préparer une solution d'eau et d'hypochlorite de sodium (eau de javel) avec une proportion d'une cuillère tous les 2 litres d'eau.

3 Immerger toutes les pièces à désinfecter dans la solution pour la durée indiquée par le fabricant du produit.

4 Laisser sécher à l'air, sur une surface propre, les pièces désinfectées.

5 Essuyer les parties externes du distributeur sans utiliser de chiffons abrasifs.

5.3.4 REMONTAGE

1 Introduire le tiroir égouttoir à sa place.

2 **Robinet avec tube en caoutchouc:** Pousser (1) le levier de débit robinet et enfiler (2) le tuyau du robinet dans son siège sur le fond du réservoir. Tirer (3) doucement le tuyau vers le bas jusqu'à le bien placer (voir figure 6).

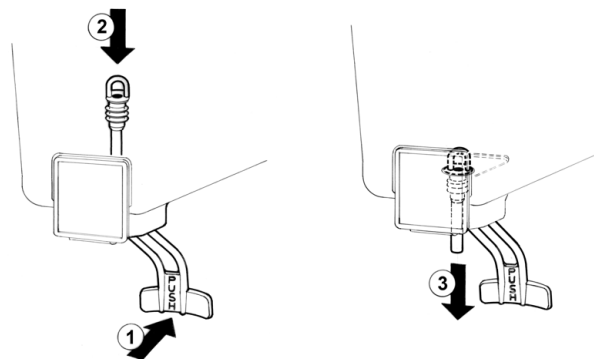


figure 6

3 **Robinet en inox à gravité:** monter le levier de débit robinet et enfiler le piston avec son joint (voir figure 7).

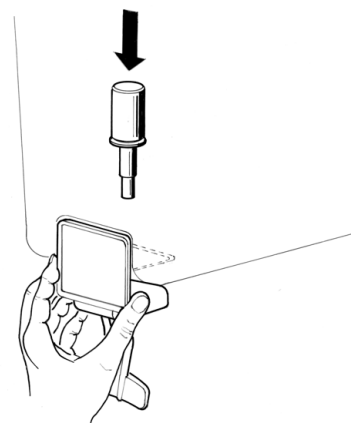


figure 7

4 Replacer le joint du réservoir sur l'évaporateur, en laissant la couronne plus épaisse en contact avec le plan égouttoir (voir figure 8).

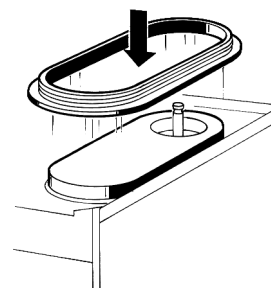


figure 8

5 Placer le réservoir sur l'appareil. Pour faciliter cette opération, mouiller avec de l'eau le joint du réservoir. Veuillez contrôler que le crochet sur le côté postérieur de la

cuve est bien placé dans son siège sur l'égouttoir supérieur. (voir figure 9).

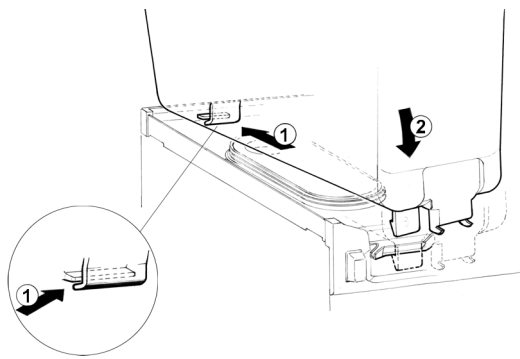


figure 9

6 Rincer avec de l'eau fraîche de manière à éliminer tout résidu de solution désinfectante du fond des réservoirs. Essuyer l'intérieur des réservoirs avec une serviette en papier jetable.

5.4 DESINFECTION DU DISTRIBUTEUR MONTE

Quotidiennement: La désinfection de l'appareil monté, avant sa mise en fonction, peut être exécutée, si nécessaire, uniquement comme précaution supplémentaire, en plus de la désinfection de l'appareil démonté décrite précédemment. Elle ne peut jamais la remplacer.

1 Préparer dans une bassine une solution d'eau et de produit désinfectant, approuvé par les autorités de votre Pays, en respectant les indications du producteur. En l'absence d'un produit désinfectant spécifique, préparer une solution d'eau et d'hypochlorite de sodium (eau de javel) avec une proportion d'une cuillère tous les 2 litres d'eau.

2 Verser la solution dans les réservoirs.

3 A l'aide d'une brosse adéquate, frotter la solution sur toutes les parties au-dessus du niveau de la solution et sur la partie inférieure du couvercle.

4 Installer le couvercle et faire fonctionner le distributeur de manière à permettre à la solution d'être agitée pendant environ 2 minutes.

5 Vider la solution désinfectante des réservoirs par les robinets, et après, la jeter.

6 Rincer avec de l'eau fraîche de manière à enlever tout résidu de solution désinfectante du fond des réservoirs. Essuyer l'intérieur des réservoirs avec une serviette en papier jetable.

7 Ne pas procéder à d'autres opérations de rinçage.

6 ENTRETIEN

1 Substitution des ampoules du couvercle lumineux (voir figure 10) :

- Enlever les vis placées dans la partie supérieure du couvercle,
- Sortir la partie inférieure et remplacer les ampoules (utiliser

ampoules de 24-28V 21W max).

- Remonter le couvercle et le fermer avec les vis.

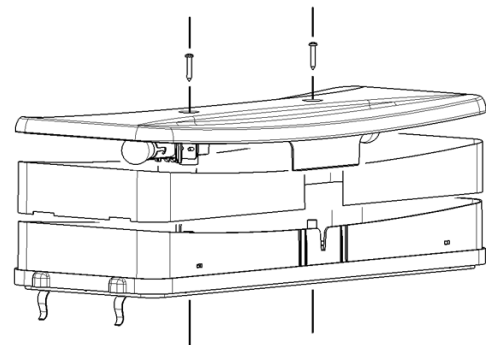


figure 10

2 Quotidiennement: contrôler le distributeur et vérifier qu'il n'y a pas de fuites de produit au niveau des joints. En cas de fuites, contrôler avant tout que le distributeur est monté correctement, puis vérifier que les joints n'ont pas besoin d'être lubrifiés et enfin qu'ils ne sont pas défectueux ou usés. Si c'est le cas, les remplacer par des pièces de rechange originales du fabricant.



IMPORTANT

Pour l'entretien du produit, le personnel technique doit utiliser des gants ayant un degré de classification au moins égal à PL 0-4 (EN388).

6.1 ENTRETIEN (A EFFECTUER

UNIQUEMENT PAR LE SERVICE D'ASSISTANCE)

Mensuellement: éliminer la poussière qui s'accumule sur le filtre du condenseur. Avant de procéder à cette opération, débrancher électriquement le distributeur en enlevant la fiche de la prise. Faire attention aux ailettes du condenseur car elles sont affilées.



ATTENTION

Vérifier que les câbles sont correctement installés avant de mettre la machine sous tension et après avoir repositionné le carter de sécurité (pour l'entretien du produit).

1 CARACTERISTICAS TECNICAS

			12.1 20.1	12.2 20.2	12.3 20.3	12.4 20.4
Contenedores transparentes desmontables	n		1	2	3	4
Capacidad de cada contenedor, aproximada	l		12 20	12 20	12 20	12 20
Dimensiones:						
ancho	cm		18	36	54	72
largo	cm		47	47	47	47
alto	cm	12 lt 20 lt	57 67	57 67	57 67	57 67
Peso neto, aproximado	kg	12 lt 20 lt	17 18	23 26	37 42	50 53
Peso bruto, aproximado	kg	12 lt 20 lt	19 20	26 29	40 45	55 56
Termostatos regulables	n		1	2	3	4
Motocompresor hermético						
Condensador a ventilación forzada						
Guardamotor						
Nivel de ruido inferior a 70dB (A)						



IMPORTANTE

Características eléctricas: leer los datos detallados en la placa del distribuidor; ésta se encuentra en la parte inferior del panel frontal, detrás del cajón recoge-gotas de la derecha. Los números de matrícula de los aparatos (precedidos por el símbolo#) están colocados dentro del alojamiento portainterruptores de izquierda. Los datos detallados sobre la placa son aquellos a los que se debe siempre hacer referencia.

Se reserva el derecho de efectuar modificaciones sin previo aviso.

2 INTRODUCCION

Es necesario que lean atentamente este manual de instrucciones para conocer todas las características del distribuidor.

También este distribuidor, como todos los productos mecánicos, necesita de limpieza y cuidado. Se corre el riesgo de impedir su buen funcionamiento si se verificasen errores cometidos por el usuario durante la fase de desmontaje y limpieza. Por dicho motivo es importante que los procedimientos de desmontaje, lavado, higienización y limpieza, siendo operaciones cotidianas, sean conocidas sin posibilidad de error a quien va a utilizar por todo el personal responsable del distribuidor.

3 INSTALACION

1 Quitar el distribuidor del embalaje: guardar este último por si hubiera cualquier eventualidad.



IMPORTANTE

En la operación de transporte o levantamiento no se debe coger nunca el distribuidor por sus contenedores transparentes o por los cilindros evaporadores. El fabricante no responde de los daños acarreados por estas maniobras equivocadas.

2 Controlar que el distribuidor no haya sufrido daños durante el transporte. De haberlos sufrido, reclamar inmediatamente al transportista.

3 Colocar el distribuidor en un mostrador en grado de sostener su peso incluso con la carga completa, **teniendo en cuenta cuanto indicado en IMPORTANTE, del punto 1.**

4 Dejar un espacio libre de por lo menos 15 cm alrededor del aparato para no impedir el flujo de aire de refrigeración.

5 Controlar la estabilidad del aparato, regulando la altura de los pies.

6 Grifo en acero inox por gravedad. Montar el grifo, teniendo en cuenta cuanto indicado en 5.3.4. REMONTAJE.

7 Antes de enchufar el aparato con la toma de corriente controlar que la tensión de la red sea aquella indicada en la placa. Enchufar el distribuidor a una red monofásica, sirviéndose de una toma completa de tierra, según lo previsto por la normativa vigente. Si la desconexión del aparato de la red eléctrica se realiza mediante un interruptor omnipolar, este debe garantizar una distancia de apertura de los contactos que permita la desconexión completa, en las condiciones previstas para la categoría de sobretensión III. No utilizar cordones conectores para enchufar el aparato al suministro de corriente eléctrica.



ATTENCION

Cerciorarse que el aparato esté correctamente conectado a tierra; en caso contrario es posible causar shock eléctricos a las personas o dañar el distribuidor.

8 El cajón recoge-gotas está provisto de dos uniones de desagüe con diafragma. En el caso en que se quiera vaciar de continuo el cajón, perforar el diafragma (por ejemplo

empleando un destornillador) de uno de las dos uniones de desagüe y conectarlo a una tubo de desagüe (ver figura 1).

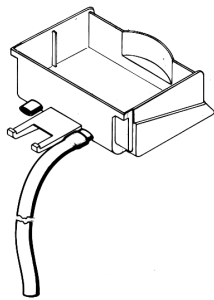


figura 1

9 El distribuidor no sale de fábrica prelavado e higienizado. Antes de utilizarlo debe ser desarmado, lavado e higienizado siguiendo cuanto dicho en las presentes instrucciones del capítulo 5.3 LIMPIEZA.

10 El aparato tiene que instalarse donde pueda estar controlado por operadores expertos en su uso.

4 PARA UN FUNCIONAMIENTO SEGURO Y CORRECTO



IMPORTANTE

Este aparato puede ser utilizado por niños a partir de 8 años de edad y por personas con capacidades físicas, sensoriales o mentales reducidas o sin experiencia ni conocimiento siempre que sean supervisados o hayan recibido instrucciones sobre el uso seguro del aparato y entiendan los peligros que implica.

- 1 **No** utilizar el distribuidor antes de haber leído el presente manual de instrucciones.
- 2 **No** utilizar el distribuidor si no está correctamente conectado a tierra.
- 3 **No** utilizar cordones conectores para enchufar el distribuidor al suministro de corriente.
- 4 **No** poner en funcionamiento el distribuidor si los paneles no se encuentran en su lugar y fijados con los tornillos.
- 5 **No** impedir el flujo de aire de refrigeración, dejar un espacio libre de por lo menos 15 cm alrededor del distribuidor.
- 6 **No** introducir los dedos u objetos en las ranuras de los paneles y en la apertura del grifo.
- 7 **No** desmontar el contenedor, no quitar los mezcladores o paneles para limpieza o manutención sin cerciorarse que el distribuidor esté desenchufado del suministro de corriente.



ATENCIÓN

Si el cable de alimentación está dañado, debe ser substituido por el fabricante o desde su servicio de asistencia técnica o, en cualquier caso, por una persona cualificada con el fin de evitar cualquier tipo de riesgo.

8 Aparato no apto para uso exterior.

9 Aparato no apto en instalaciones donde haya cercano fuentes de agua .

10 Para la limpieza no utilizar chorros de agua.

11 Para el correcto funcionamiento, coma la temperatura ambiente debe estar comprendida ientre 5°C y 32°C.

12 El aparato tiene que colocarse horizontal a una altura mínima de 80 cm y máxima de 110 cm del suelo.

13 No limpiar el aparato con chorros de agua.

14 Utilizar siempre guantes adecuados para la manipulación de los alimentos.

15 **No** conserve sustancias explosivas en el aparato (por ejemplo, aerosoles con propelentes inflamables).

16 Este aparato está diseñado para ser utilizado en aplicaciones domésticas y similares.



ATENCIÓN

El uso de la máquina esta reservado solamente a operadores especializados con conocimiento y experiencia practica del aparato, especialmente cuando se trata di seguridad e higiene.

17 Los niños **no deben** jugar con el aparato.

18 Los niños **no deben** efectuar ni la limpieza ni el mantenimiento sin la supervisión de un adulto.

5 INSTRUCCIONES DE EMPLEO

1 Lavar e higienizar el distribuidor antes de utilizarlo siguiendo cuanto se ha dicho en las presentes instrucciones en el capítulo 5.3 LIMPIEZA.

2 Llenar los contenedores con el producto deseado hasta que alcance el nivel máximo indicado (no superar dicho nivel). La cantidad de producto presente en el contenedor (en litros o en galones) está indicada con señales específicas situadas en el contenedor mismo.

3 Si se quiere distribuir productos concentrados a diluirse con agua, verter en los contenedores el agua agregando a continuación la cantidad necesaria de producto concentrado, según las instrucciones del fabricante. Si se quieren emplear zumos naturales se recomienda filtrarlos para evitar que las partes sólidas puedan obstruir el pasaje del grifo.

4 Montar las tapas sobre los contenedores cerciorándose que queden bien colocadas.

5 Accionar los interruptores (ver capítulo 5.1 DESCRIPCIÓN DE LOS MANDOS).

6 El distribuidor debe funcionar siempre con las tapas montadas para prevenir una posible contaminación del producto.

7 El distribuidor debe funcionar ininterrumpidamente: el grupo frigorífico se parará automáticamente cuando el producto esté listo para ser distribuido. Los dispositivos mezcladores seguirán funcionando.

8 Para la buena conservación del producto, el distribuidor deberá funcionar también durante la noche.



IMPORTANTE

Utilizar el distribuidor solamente con productos alimenticios.

Utilizar el distribuidor sólo con agua potable.

9 Para apagar las luces de la tapa es suficiente girarlo de 180°. (ver figura 2)

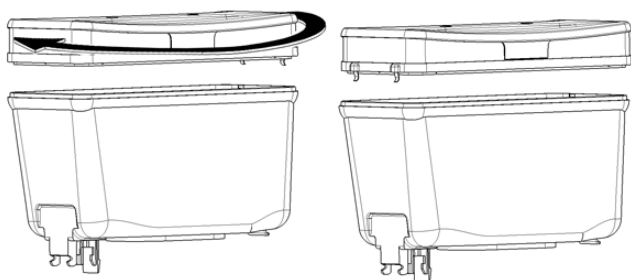


figura 2

5.1 DESCRIPCIÓN DE LOS MANDOS

El distribuidor está provisto de un interruptor general y, para cada contenedor, de un interruptor para el mando del dispositivo de agitación (bomba en la serie BS y agitador en la serie AB - BS2M).

A continuación describimos la variedad de las funciones de los interruptores:

Interruptor general

Posición 0 OFF ○ : el distribuidor está apagado.

Posición I ON ■ : el distribuidor está habilitado para el funcionamiento. Ventilador en función.

Interruptor agitación

Posición 0 OFF ○ : dispositivo de agitación parado.

Posición I  ■ : dispositivo de agitación en función.

Para el funcionamiento del distribuidor:

- 1 - Colocar el interruptor general en posición I.
- 2 - Colocar el interruptor agitación en posición I.

5.2 SUGERENCIAS

1 El tiempo necesario para obtener la refrigeración del producto varía en función de distintos factores como por ejemplo la temperatura ambiente y la temperatura inicial del producto.

2 Llenando los contenedores con producto ya enfriado previamente se incrementa la eficiencia del distribuidor.

3 Para disminuir ulteriormente los tiempos de restablecimiento y, por lo tanto, aumentar la autonomía del distribuidor, volver a llenar cuando el nivel del producto desciende a mitad evaporador.

4 Todos los distribuidores de este tipo deben despedir calor. Si el calor producido fuera excesivo, controlar que ninguna fuente de calor se encuentre cerca del distribuidor y, en modo particular, cerca de las rejillas de los paneles. Cerciorarse además, que el flujo de aire no esté obstaculizado por paredes cercanas, cajas u otras cosas. Dejar por lo menos 15 cm de espacio libre alrededor del distribuidor. En todo caso cuando el producto dentro de los contenedores está frío, es señal de que todo funciona bien y que el calor producido no es alarmante.

5 Regulación de la temperatura: para este tipo de operación, dirigirse exclusivamente al técnico. La temperatura ideal de las bebidas ha sido establecida y regulada en la fábrica.

6 Para evitar riesgos de caídas, las partes alrededor de la máquina tienen que mantenerse secas.



ATENCIÓN

El acceso a la zona de servicio está limitado a personas preparadas en materia de seguridad e higiene y que disponen de conocimientos prácticos sobre el aparato.

5.3 LIMPIEZA

La limpieza y el lavado son fundamentales para garantizar la perfecta conservación del gusto de la bebida y la máxima eficiencia de vuestro distribuidor. Los procedimientos descritos a continuación deben ser considerados de carácter general y pueden variar por efecto de la reglamentación de higiene vigente.

Antes del desarmado para el lavado del distribuidor debe quitarse todo el producto.

5.3.1 DESMONTAJE



ATENCIÓN

Antes de proceder con el desmontaje de cualquier componente, desenchufar de la toma de corriente eléctrica el enchufe del aparato.

- 1 Quitar la tapa del contenedor.
- 2 Quitar el contenedor vacío levantándolo por la parte anterior y desprendiéndolo de la junta (ver figura 3).

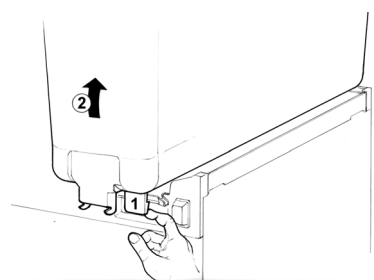


figura 3

- 3 Quitar la junta del contenedor.
- 4 Sacar la turbina pompa.

5 Grifo con tubo de goma: empujar la palanca mando grifo (1) y sacar (2) el tubo goma de salida desde su situación vertical en el fondo del contenedor (ver figura 4).

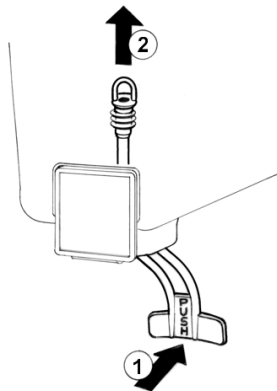


figura 4

6 Grifo en acero inox por gravedad: Sacar el pistón y desmontar la palanca mando grifo (ver figura 5).

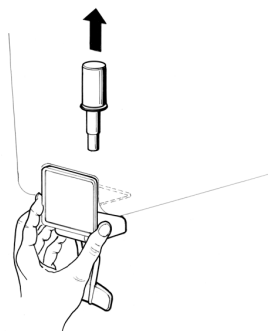


figura 5

7 Sacar el cajón recoge-gotas y vaciarlo.

5.3.2 LAVADO



ATTENCION

Antes de efectuar cualquier tipo de limpieza, desenchufar de la toma de corriente eléctrica el enchufe del aparato.



IMPORTANTE

No lavar ningún componente de la máquina en lavavajillas.

1 Poner en una palangana aproximadamente ocho litros de agua caliente (45°-60°C) y detergente apropiado respetando con atención las instrucciones del fabricante; una solución demasiado concentrada de detergente puede provocar daños

en las partes a lavar, en vez una solución demasiado diluida puede no limpiar bastante. No utilizar detergentes abrasivos.



IMPORTANTE

Para prevenir daños al distribuidor utilizar solamente un detergente compatible con las partes de plástico.

2 Emplear un cepillo apropiado y lavar minuciosamente con la solución detergente todas las partes en contacto con la bebida.



ATTENCION

Durante el lavado del distribuidor no usar mucha cantidad de agua cerca de los componentes eléctricos; en caso contrario es posible que se verifiquen shock eléctricos o también se dañe el distribuidor.

3 Enjuagar todas las partes con agua corriente

5.3.3 HIGIENIZACION DEL DISTRIBUIDOR DESMONTADO

La higienización debe efectuarse inmediatamente antes de poner en función el distribuidor; evitar que este permanezca inactivo por mucho tiempo después de haber sido higienizado.

1 Antes de empezar los procedimientos descritos a continuación, lavarse las manos con un jabón antibacterico.

2 Poner en una palangana aproximadamente ocho litros de solución de agua caliente (45-60°C) con un producto para higienizar aprobado por las autoridades de vuestro país respetando las especificaciones del fabricante. Si se carece de un producto para higienizar específico, preparar una solución de agua e hipoclorito de sodio (lejía uso alimenticio) en la proporción de 1 cucharadita por cada 2 litros de agua.

3 Colocar en la solución todas las partes a higienizar dejándolas el tiempo que ha sido indicado por el fabricante del producto (5 min. circa).

4 Dejar secar las partes higienizadas, sobre una superficie limpia al aire libre.

5 Secar las partes externas del distribuidor sin usar paños abrasivos.

5.3.4 REMONTAJE

1 Colocar el cajón recoge-gotas en su alojamiento.

2 Grifo con tubo de goma: empujar la palanca mando grifo (1) e insertar el tubo de goma de salida en su situación vertical en el fondo del contenedor (2). Tirar (3) ligeramente hacia

abajo la extremidad del tubo de goma hasta ajustarlo completamente (ver figura 6). figura 9).

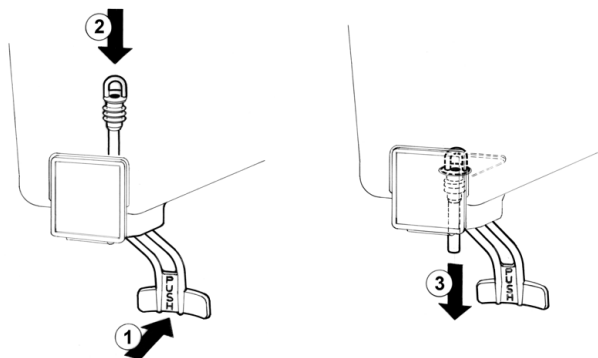


figura 6

3 Grifo en acero inox por gravedad: montar la palanca mando grifo y enfilear el pistón unido a la su junta (ver figura 7).

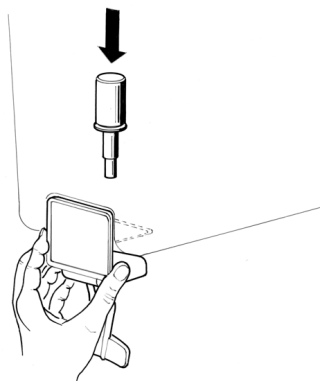


figura 7

4 Poner la junta al evaporador, de modo que el borde de mayor ancho se quede en contacto con el plano recoge-gotas (ver figura 8).

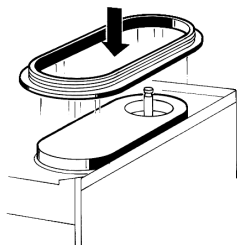


figura 8

5 Poner el contenedor sobre el distribuidor. Por facilitar esta operación, mojar la junta con un poco de agua. Asegurarse que el gancho posterior del contenedor esté insertado en el lugar correcto del plano recoge-gotas. (ver

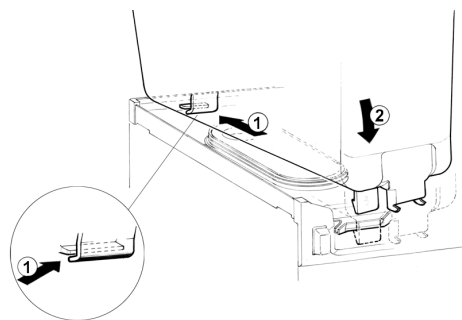


figura 9

6 Montar turbina y tapa bomba enganchando la placa de enganche.

7 Enjuagar con bebida fresca para eliminar todo residuo posible de solución para higienizar del fondo de los contenedores. Secar la parte interior de los contenedores con una servilleta de papel desechable.

5.4 HIGIENIZACION DEL DISTRIBUIDOR MONTADO

Cada día: La higienización del aparato montado, antes de ser puesto en funcionamiento, puede ser efectuada, si es necesario, solamente como una ulterior prevención adicional a la higienización del aparato desmontado descrito anteriormente, pero no debe sustituir jamás a la efectuada con el aparato desmontado.

1 Poner en una palangana una solución de agua u producto para higienizar aprobado por las autoridades de vuestro país, respetando las especificaciones del fabricante. Si se carece de un producto para higienizar específico, preparar una solución de agua e hipoclorito de sodio (lejía uso alimenticio) en la proporción de 1 cucharadita por cada 2 litros de agua.

2 Verter la solución en los contenedores.

3 Usando un cepillo apropiado fregar con la solución todas las partes sobre el nivel de la solución y sobre la parte inferior de la tapa.

4 Colocar la tapa y poner en función el distribuidor de modo que permita a la solución agitarse por 2 minutos.

5 Vaciar los contenedores de la solución para higienizar por medio de los grifos y luego eliminarla.

6 Enjuagar con bebida fresca para quitar del fondo de los contenedores todo residuo posible de solución para higienizar. Secar la parte interior de los contenedores con una servilleta de papel desechable.

7 No efectuar más operaciones de enjuague.

6 MANUTENCION

1 Substitución de las lámparas de la tapa luminosa (ver figura 10):

- Quitar los tornillos colocados en la parte superior de la tapa,
- Extraer la parte inferior y substituir las lámparas (utilizar

lámparas de 24-28 V 21W max).

- Volver a montar la tapa y cerrarla con sus tornillos.

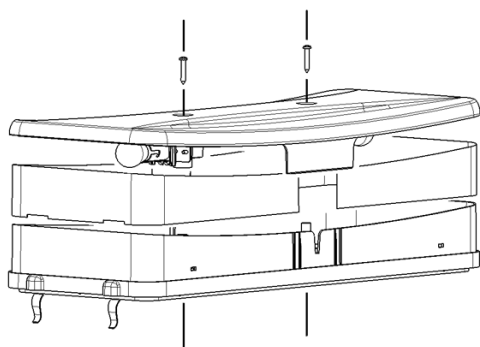


figura 10

2 Cada día: controlar el distribuidor y que no se verifiquen pérdidas de producto de las juntas. Si se notasen pérdidas, controlar , antes de todo, que el distribuidor esté montado correctamente, luego que las juntas no necesiten lubricación y, por último, que dichas juntas no sean defectuosas o estén gastadas, si es así reemplazarlas con recambios originales del fabricante.



IMPORTANTE

Para el mantenimiento del producto, el personal técnico tiene que utilizar guantes que dispongan por lo menos de un grado de clasificación PL 0-4 (EN388).

6.1 MANUTENCION (SOLAMENTE POR EL SERVICIO POSTVENTA)

Cada mes: eliminar el polvo que se acumula sobre el filtro del condensador. Antes de efectuar dicha operación desenchufar el distribuidor de la toma de corriente.



ATTENCION

El operador autorizado para efectuar el mantenimiento tiene que comprobar la posición correcta de los cables antes de dar tensión a la máquina tras haber colocado de nuevo el cárter de protección. (para mantenimiento del producto).

MAESTRALE - EXTRA

ENGLISH

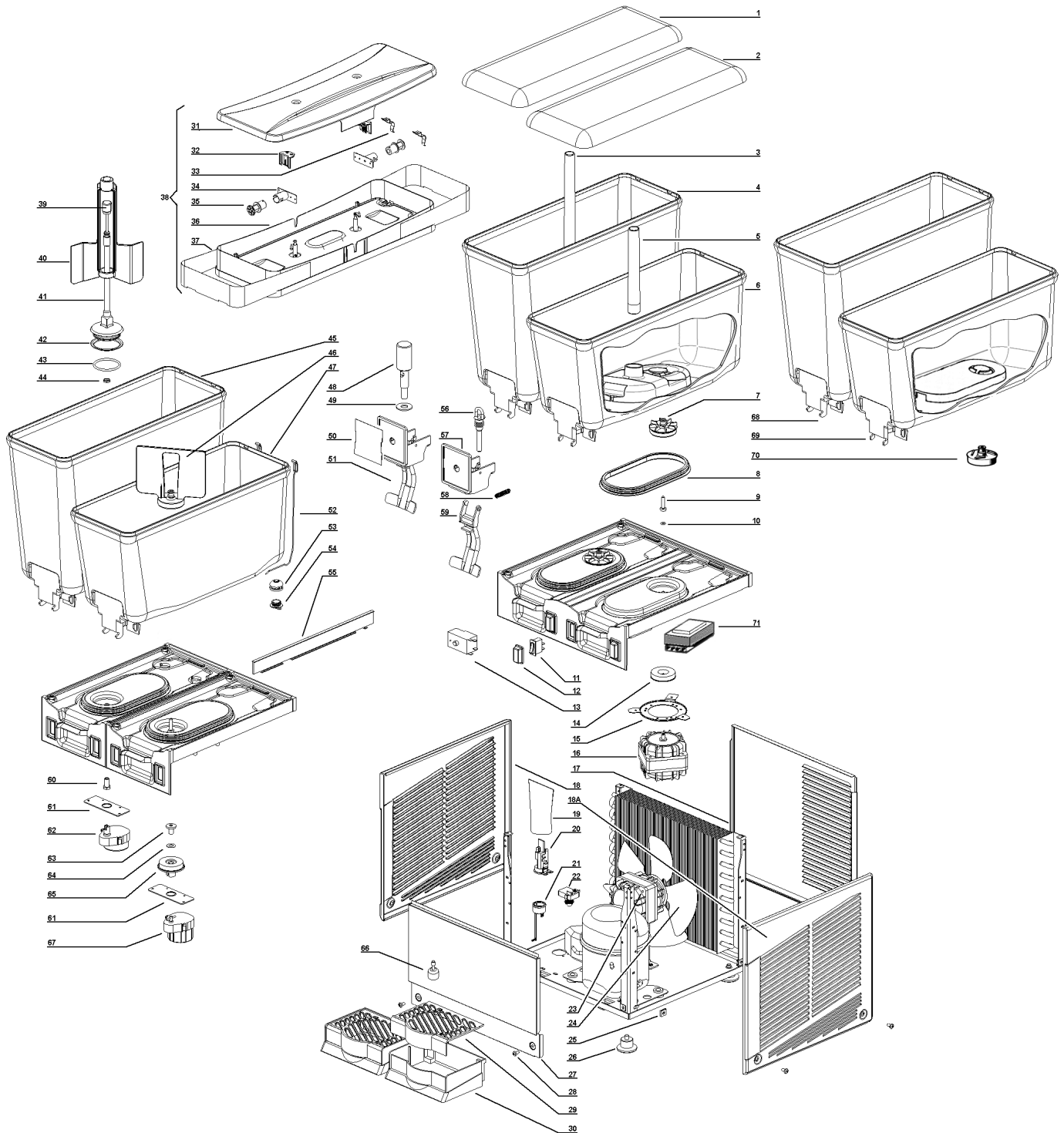
SPARE PARTS LIST

FRANCAIS

LISTE DES PIECES DE RECHANGE

ESPAÑOL

DESCRIPCION PIEZAS DE REPUEST



- 1 | 22900-00100 | 20 lt bowl cover
- 2 | 22900-00100 | 12 lt bowl cover
- 3 | 22900-00200 | Spray tube for 20 l bowl

- Couvercle réservoir 20 lt
- Couvercle réservoir 12 lt
- Tuyau de la pompe 20 l

- Tapa contenedor 20 lt
- Tapa contenedor 12 lt
- Tubo de flujo para contenedor 20 l

4	22900-04800	20 l bowl for pump	Cuve 20 l pour pompe	Contenedor 20 l para bomba
5	22900-00201	Spray tube for 12 l bowl	Tuyau de la pompe 12 l	Tube de flujo para contenedor 12 l
6	22900-00000	12 l bowl for pump	Cuve 12 l pour pompe	Contenedor 12 l para bomba
7	33900-01200	Impeller 50Hz	Turbine de la pompe 50Hz	Turbina bomba 50Hz
7	33900-01204	Impeller 60Hz	Turbine de la pompe 60Hz	Turbina bomba 60Hz
8	22800-17200	Bowl gasket	Joint du réservoir	Junta contenedor
9	22900-00600	Central pivot	Pivot central	Pivote central
10	22040-00000	Central pivot OR	OR du pivot central	OR del pivote central
11	21125-00000	Switch	Interrupteur	Interruptor
12	22800-05100	Switch cap	Capuchon interrupteur	Protección interruptor
13	21087-00000	Thermostat	Thermostat	Termostato
14	33800-00803	Motor magnet	Aimant du moteur	Embrague magnetico
15	22800-04800	Motor bracket	Support du moteur	Placa soporte motor
16	○○○	Motor	Moteur	Motor
17	□□□	Back panel	Panneau arrière	Panel posterior
18	22800-00360	Left side panel	Panneau latéral	Panel lateral
18A	22800-00260	Right side panel	Panneau latéral	Panel lateral
19	22800-12701	Terminal block cover	Protection borne	Protección pasacable
20	○○○	Terminal block with cable clamp	Borne et fixation du câble	Pasacable
21	*:*:*	Overload protector	Protège moteur	Guardamotor
22	*:*:*	Relay	Relais	Relé
23	○○○	Fan motor for 12 lt.	Moteur ventilateur pour 12lt.	Motor ventilador por 12lt.
23A	○○○	Fan motor for 20 lt.	Moteur ventilateur pour 20 lt.	Motor ventilador por 20 lt.
23B	○○○	Fan motor for 1 bowl	Mot vent pour 1 cuve	Mot vent para 1 contenedor
24	○○○	Fan for 12 lt.	Hélice pour 12lt.	Aspas para 12lt.
24A	○○○	Fan for 20 lt.	Hélice pour 20 lt.	Aspas para 20 lt.
25	10554-45001	Clip	Clip	Clip
26	22800-10000	Rubber leg	Petit pied	Pie nivelador
27	□□□	Dispensing side panel	Panneau côté robinet	Panel lado grifo
28	10502-55010	Stainless steel fixing screw for panel	Vis inox de fixation du panneau	Tornillo inox fijación paneles
29	22800-00560	Drip tray cover	Couvercle tiroir égouttoir	Rejilla cajón
30	22800-00660	Drip tray	Tiroir égouttoir	Cajón recoge-gotas
31	22900-06260	Top cover upper part	Partie supérieure du couvercle	Parte superior de la tapa
32	10028-04201	Plate holder for	Planche de titulaire	Titular de la Plata
33	22800-11701	Top cover light contact	Contact pour éclairage couvercle	Contacto para luz
34	10028-04200	Bulb socket	Douille	Portalampara
35	10028-03810	28V bulb	Ampoule 28 V	Lampara 28 V
36	22900-06070	Bottom hat mechanical agitation with light	Chapeau bas agitation mécanique avec la lumière	Bottom sombrero agitación mecánica con la luz
36	22900-06030	Bottom hat mechanical agitation without light	Chapeau bas l'agitation mécanique, sans lumière	Bottom sombrero agitación mecánica sin luz
36	22900-06050	Bottom hat with light insulated	Bas chapeau à la lumière isolés	Bottom sombrero aislados con la luz
36	22900-06052	Bottom hat without light insulated	Chapeau bas, sans lumière isolés	Bottom sombrero sin luz aislado
36	22900-06060	Bottom hat without light not insulated	Chapeau bas, sans lumière non isolé	Bottom sombrero sin luz no aislado
37	22900-06460	Picture	Photo	Fotografía
38	33900-02160	Cover complete with light insulated	Couverture complète avec la lumière isolés	Cubra con luz aislado
38	33900-02260	Cover complete without light insulated	Couverture complète sans lumière isolés	Cubierta completa sin luz aislado
38	33900-02360	Cover complete without light not insulated	Couverture complète sans lumière non isolé	Cubierta completa sin luz no aislado
38	33900-01860	Cover with light to complete mechanical shaker	Recouvrir avec la lumière pour compléter agitateur mécanique	Cubra con la luz para completar agitador mecánico
38	33900-01960	Cover complete without light for mechanical shaker	Couverture complète sans lumière pour agitateur mécanique	Cubierta completa sin luz por agitador mecánico
39	22900-05600	Driving shaft 12lt	Arbre d'entraînement 12lt	Eje transmisión 12lt
39	22800-14701	Driving shaft 20lt	Arbre d'entraînement 20lt	Eje transmisión 20lt
40	22900-05400	Stirrer 12lt	Brasseur 12lt	Agitador 12lt
40	22900-05401	Stirrer 20lt	Brasseur 20lt	Agitador 20lt
41	22900-05500	Central shaft 12lt	Arbre central 12lt	Eje central 12lt
41	22900-05501	Central shaft 20lt	Arbre central 20lt	Eje central 20lt
42	22900-05710			
43	22900-05700	Central shaft OR.	Joint OR pour arbre central	OR para eje central
44	10533-01303	brass nut	écrou en laiton	dado d'ottone
45	22900-04820	20 l bowl for stirrer	Cuve 20 l pour brasseur	Contenedor 20 l para agitador
46	33900-01202	Stirrer	Brasseur	Agitador
47	22900-00020	12 l bowl for stirrer	Cuve 12 l pour brasseur	Contenedor 12 l para agitador
48	22800-21900	Faucet piston	Piston du robinet	Pistón del grifo
49	10028-02500	Faucet gasket	Joint du robinet	Junta del grifo
50	10029-00070	Picture	Photo	Fotografía
51	22900-00560	Push handle	Robinet	Palanca de mando grifo
52	22900-06501	20lt light wire	Ressort de contact 20lt	Muelle para contacto luz 20lt
52	22900-06500	12lt light wire	Ressort de contact 12lt	Muelle para contacto luz 12lt
53	22800-22861	Flexible contact	Joint avec contact	Gomita con contacto
54	22800-23000	Fixing ring	Anneau de fixation	Anillo de fijación
55	22900-00760	Plastic l-beam for connection	Profil plastique de jonction	Perfil de union
56	21703-00000	Pinch tube	Tuyau du robinet	Goma de grifo
57	22900-00860	Faucet cover	Couvercle du robinet	Cubre grifo
58	22800-02600	Faucet spring	Ressort du robinet	Muelle grifo
59	22900-00561	Push handle	Levier de débit	Palanca de mando grifo
60	22900-05800	Threaded bolt shaft Central	Boulon fileté du Central	Perno roscado del eje central
61	22900-02504	Pump motor bracket	Support du moteur de la pompe	Placa soporte motor bomba
62	○○○	Mixer motor	Moteur du mélangeur	Motor agitador
63	22900-02502	Central pivot	Pivot central	Pivote central
64	22900-02503	Washer	Rondelle	Arandela

MAESTRALE - EXTRA

65	33900-01011	Impeller mixer motor	Turbine de moteur du mélangeur	Turbina motor agitador
66	22900-06300	Float level	Le niveau du flotteur	nivel de flotación
67	○○○	Mixer motor	Moteur du mélangeur	Motor agitador
68	22900-04810	20 lt bowl	Réservoir 20 lt	Contenedor 20 lt
69	22900-00010	12 lt bowl	Réservoir 12 lt	Contenedor 12 lt
70	33900-01201	Impeller	Turbine de la pompe	Turbina bomba
71	○○○	Transformer	Transformateur	Transformador

※※※
○○○□□□

Please order what printed on piece
See table

Mentionner indicatif imprimé sur la pièce
Voir tableau

Pedir com la identificación marcada en la pieza
Ver tabla

○○○

	230-240V 50Hz	115V 60Hz	220V 60Hz
16	22800-04705	22800-04706	22800-04708
20	22800-05501	22800-05500	22800-05500
23	21678-00000	22800-04706	21678-00000
23 A	21678-00000	22800-04709	21678-00000
23 B	22800-07600	33800-06901	22800-07600
24	21907-00000	21907-00000	21907-00000
24A	21907-00000	22800-13200	22800-13200
62	33800-06700	33800-06701	33800-06700
67	22900-03500	22900-03501	22900-03500
71	22800-18206	22800-18203	22800-18206

□□□

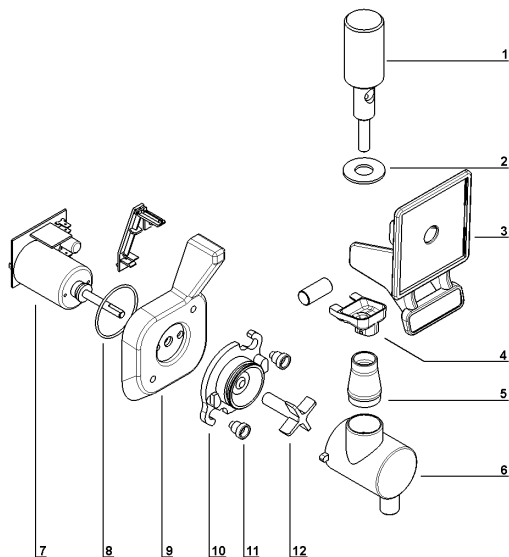
	..1	..2	..3	..4
17	22800-06860	22900-02370	22900-02380	22900-02390
27	22800-21660	22800-21760	22900-04060	22900-04160

I

ASSIEME FRULLINO OPZIONALE

GB

WHIPPER OPTION

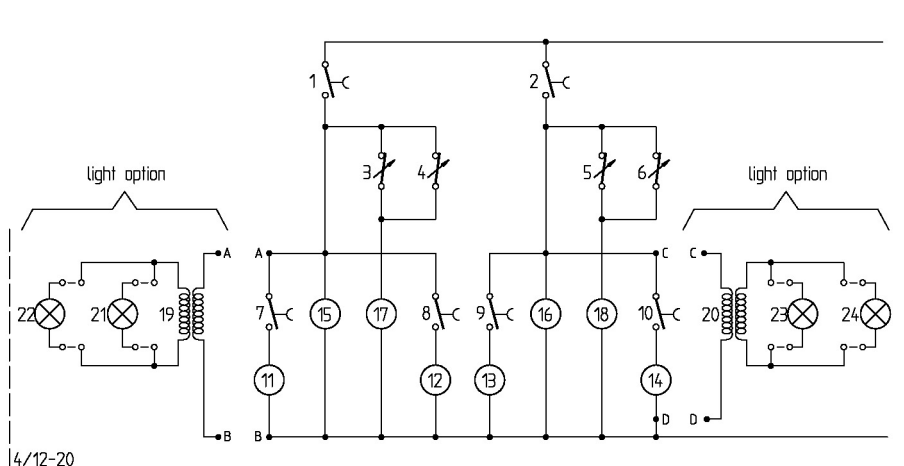
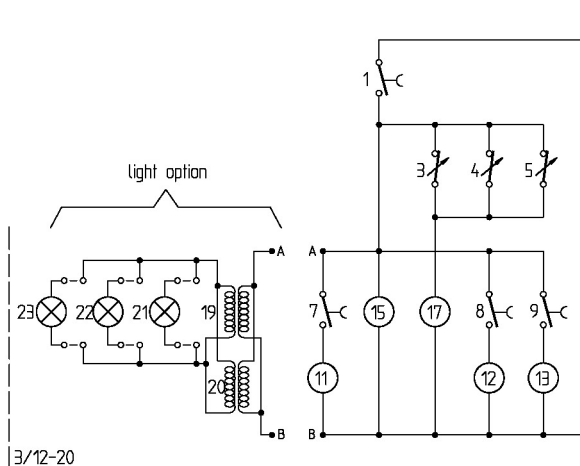
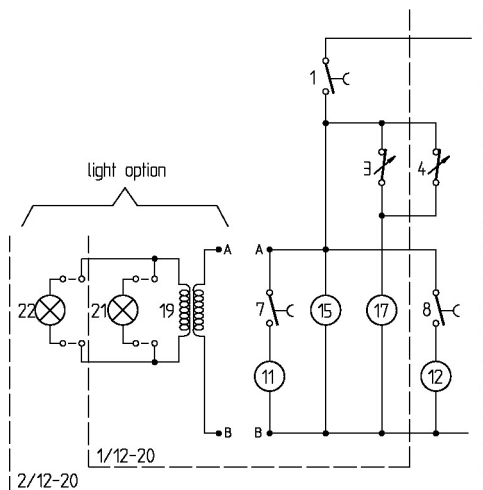


1	22800-21902	Pistone rubinetto	Faucet piston
2	10028-02500	Guanizione rubinetto	Faucet gasket
3	33900-00080	Leva a tasto	Push handle
4	22900-05000	Riduttore per leva	Adaptation for push handle
5	22900-05061	Riduzione per corpo frullino	Adaptation for whipper body
6	22600-01210	Camera di miscelazione grande	Large mixing chambre
7	33900-01510	Motore frullino completo	Whipper motor assembly
8	22900-05300	OR per motore	motor OR
9	33900-02000	Supporto frullino	Whipper support
10	22600-01250	Assieme basetta miscelatore	Mixer board assembly
11	22600-01260	Nottolino per basetta	Cam to board
12	22600-01240	Ventolina miscelazione super	Super mixing impeller

ENGLISH WIRING DIAGRAM

FRANCAIS SCHEMA ELECTRIQUE

ESPAÑOL ESQUEMA ELECTRICO



1-2	Switch	Interrupteur	Interruptor
3-4-5-6	Thermostat	Thermostat	Termostato
7-8-9-10	Pump/mixer switch	Interrupteur pompe/brasseur	Interruptor bomba/agitador
11-12-13-14	Pump/mixer	Pompe/brasseur	Bomba/agitador
15-16	Fan Motor	Moteur ventilateur	Ventilador
17-18	Compressor	Compresseur	Motocompresor
19-20	Transformer	Transformateur	Transformador
21-22-23-24	Top light	Ampoule du couvercle	Lámpara tapa superior



02457-00099-415
V 0.2 16M07