

8

7

6

5

4

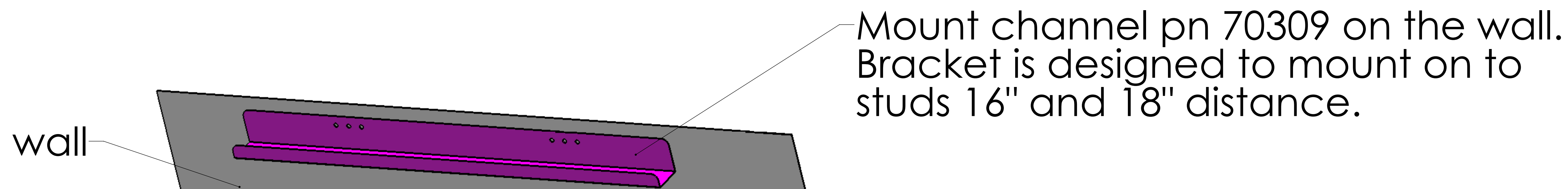
3

2

1

REVISION HISTORY					
ZONE	REV	ECN	DESCRIPTION	DATE	APPROVED
-	A		RELEASE TO PRODUCTION	4-14-04	M HUTCHINS
-	B	120	RELEASE TO PRODUCTION	11-03-06	M HUTCHINS
-	C	196	REMOVE SECOND BRACKET	12-26-07	M HUTCHINS

STEP 1



wall

Mount channel pn 70309 on the wall.
Bracket is designed to mount on to studs 16" and 18" distance.

TOLERANCES: UNLESS NOTED		ALL SURFACES TO BE $\sqrt{63}$ RMS OR SMOOTHER		AMERICAN RANGE CORP. 13592 DESMOND ST. PACOIMA, CA 91331	
.X	± .1	DO NOT SCALE DRAWING		TITLE	
.XX	± .03	DIMENSIONS ARE IN INCHES		INSTRUCTION CHEESE	
.XXX	± .005	INTERPRET DRAWING PER ASME Y14.5M-1994		MELTER MTG ON THE WALL	
ANGLE	± 1°			PART NO.	
MATERIAL		APPROVALS		DATE	
		DRAFTER M HUTCHINS		11-03-06	
		ENGR M HUTCHINS		11-03-06	
FINISH		ENGR CHECK		SIZE	
N/A				D	
				REF NO.	
				70204	
				REV.	
				C	
USED ON				SCALE	
				NONE	
				SHEET	
				1 OF 3	

8

7

6

5

4

3

2

1

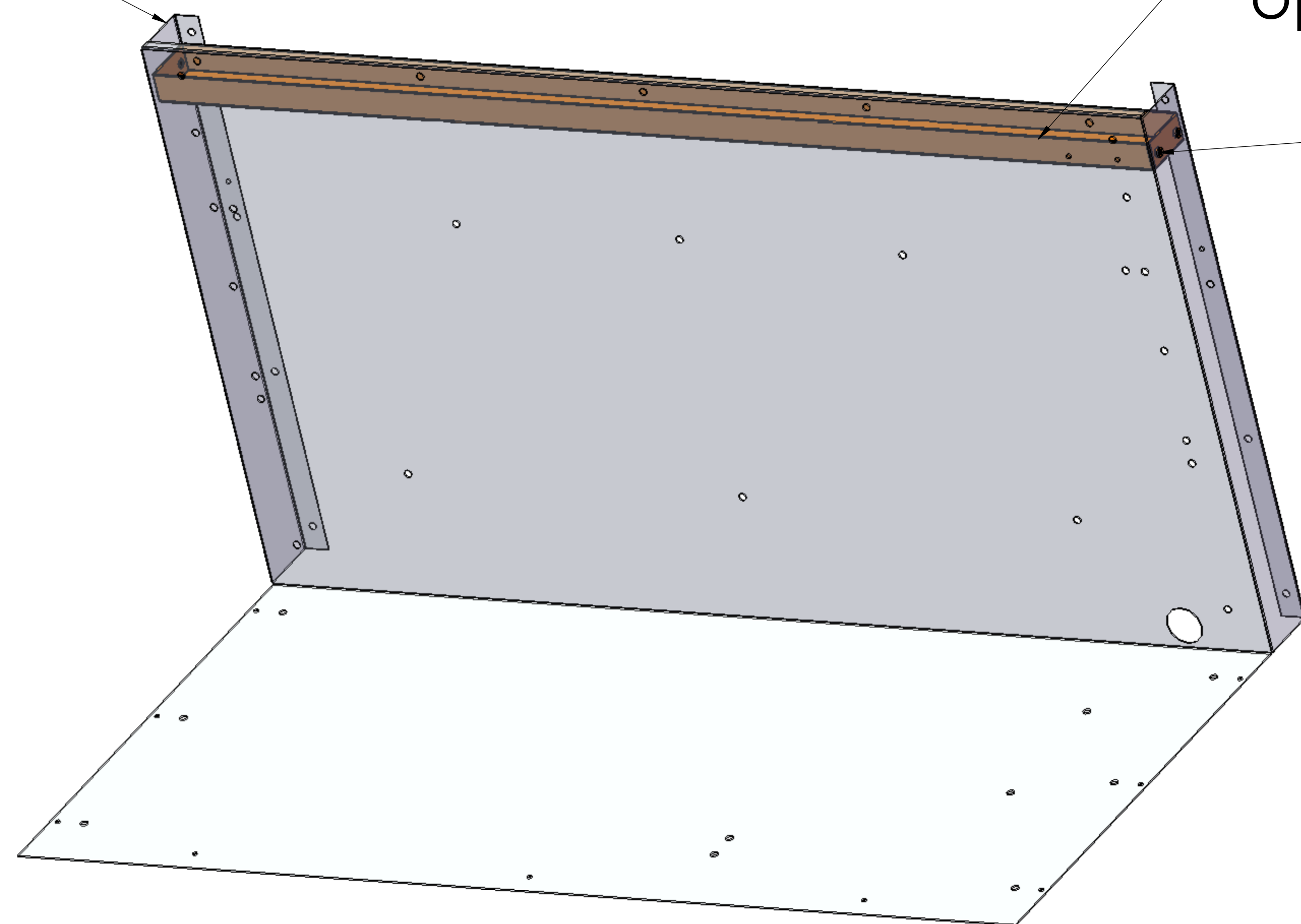
REVISION HISTORY					
ZONE	REV	ECN	DESCRIPTION	DATE	APPROVED
-			SEE SHEET 1		

STEP 2

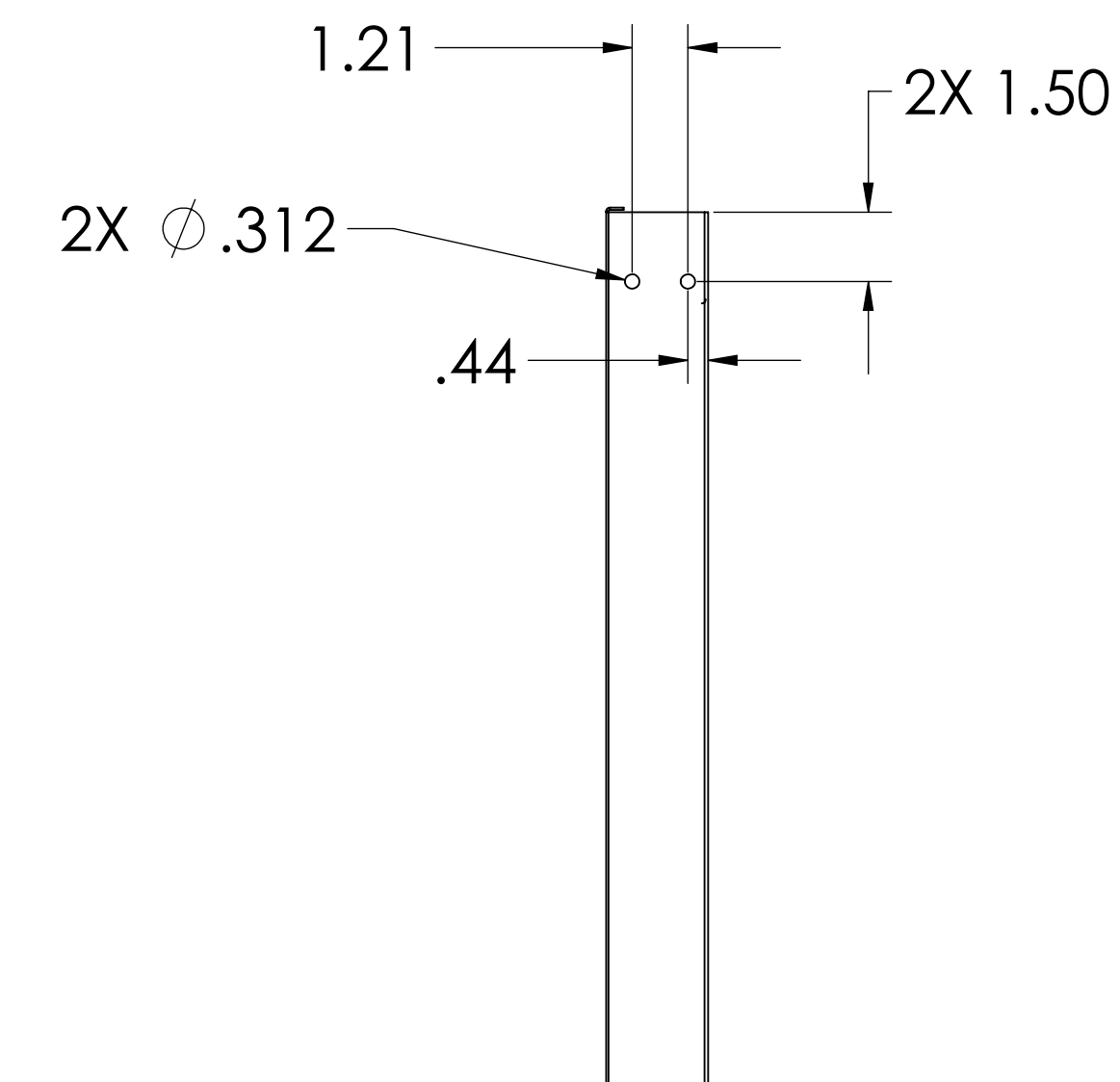
Top of the cheese melter panel

Bracket pn 70308 open side up

Drill set of holes on the panel (both sides). Mount the bracket as shown



SIDE VIEW



TOLERANCES: UNLESS NOTED		ALL SURFACES TO BE $\sqrt{63}$ RMS OR SMOOTHER		AMERICAN RANGE CORP. 13592 DESMOND ST. PACOIMA, CA 91331	
.X	± .1	DO NOT SCALE DRAWING		TITLE	
.XX	± .03	DIMENSIONS ARE IN INCHES		INSTRUCTION CHEESE MELTER MTG ON THE WALL	
.XXX	± .005	INTERPRET DRAWING PER ASME Y14.5M-1994		PART NO.	
ANGLE	± 1°				
MATERIAL		APPROVALS		DATE	
		DRAFTER		11-03-06	
		ENGR		11-03-06	
		ENGR CHECK			
FINISH		SIZE		REF NO.	
N/A		D		70204	
		SCALE		SHEET	
		NONE		2 OF 3	

8

7

6

5

4

3

2

1

REVISION HISTORY					
ZONE	REV	ECN	DESCRIPTION	DATE	APPROVED
-			SEE SHEET 1		

STEP3

Wall bracket
pn 70309

Equipment
bracket
pn 70308

TOP VIEW

Secure brackets with
sheet metal screws
2 places, after unit has
been mounted.

TOLERANCES: UNLESS NOTED .X ± .1 .XX ± .03 .XXX ± .005 ANGLE ± 1°		ALL SURFACES TO BE $\sqrt{63}$ RMS OR SMOOTHER DO NOT SCALE DRAWING DIMENSIONS ARE IN INCHES INTERPRET DRAWING PER ASME Y14.5M-1994		AMERICAN RANGE CORP. 13592 DESMOND ST. PACOIMA, CA 91331	
MATERIAL FINISH N/A		APPROVALS DRAFTER M HUTCHINS 11-03-06 ENGR M HUTCHINS 11-03-06 ENGR CHECK		TITLE INSTRUCTION CHEESE MELTER MTG ON THE WALL PART NO.	
AR SP USED ON		DATE 11-03-06		SIZE D	REF NO. 70204
				SCALE NONE	REV. C
				SHEET 3 OF 3	

8

7

6

5

4

3

2

1