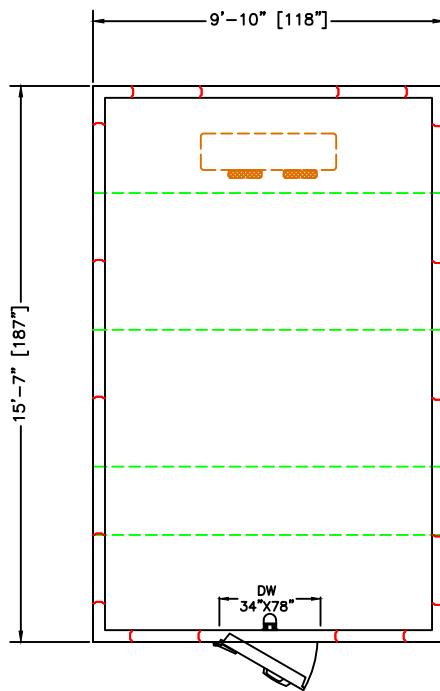
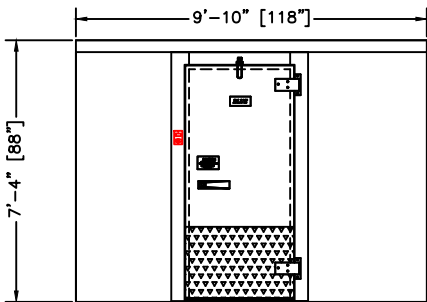


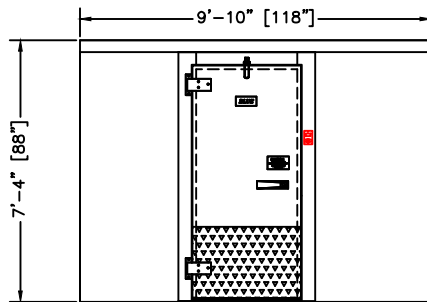
PLAN VIEW
RIGHT HINGE
SELECT



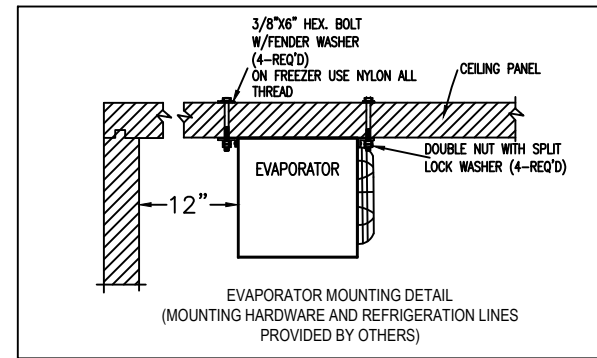
PLAN VIEW
LEFT HINGE
SELECT



ELEVATION
RIGHT HINGE



ELEVATION
LEFT HINGE



REFRIGERATION DESIGN SPECIFICATIONS

WALK-IN AMBIENT TEMP:	90°F
CONDENSER AMBIENT TEMP:	110°F
INCOMING PRODUCT TEMP:	≤40°F
HOLDING TEMP:	35°F
OPENINGS PER HOUR:	2
REFRIGERATION LINE MAX LENGTH:	40FT (PROVIDED BY OTHERS)

PRODUCT SPECIFICATIONS

MODEL:	BL1016-C-R
WALK-IN SPECIFICATIONS	
INTERIOR/EXTERIOR FINISH	26 GAUGE MILL EMBOSSED ACRYLUME OR 26 GAUGE STUCCO EMBOSSED GALVANIZED STEEL
ELECTRICAL (VOLTS/Hz/PH)	115/60/1
DOOR AMP.	0.8

EVAPORATOR SPECIFICATIONS	
ELECTRICAL (VOLTS/Hz/PH)	115/60/1
MCA/MOPD	15/15 AMPS
WEIGHT (LBS)	52

CONDENSING UNIT SPECIFICATIONS	
ELECTRICAL (VOLTS/Hz/PH)	208-230/60/1
MCA/MOPD	15/20 AMPS
WEIGHT (LBS)	195

WALK-IN AND REFRIGERATION FREIGHT	
TOTAL SHIPPING WEIGHT (LBS)	2155
MAXIMUM PALLET SIZE	48" X 96" X 102" HIGH 48" X 120" X 102" HIGH
NUMBERS OF PALLET	2

MODEL: BL1016-C-R

INDOOR-NO FLOOR

COOLER 35°F

REMOTE PRE-ASSEMBLED REFRIGERATION

CUSTOMER APPROVAL

DATE: _____

SIGNATURE: _____

CONFIDENTIAL

THE DRAWINGS, TECHNICAL DATA, AND ALL OTHER INFORMATION SET FORTH IN THIS DOCUMENT COMPRISE TRADE SECRETS AND CONFIDENTIAL INFORMATION THAT IS THE EXCLUSIVE PROPERTY OF ARCTIC INDUSTRIES, LLC.

USE OF SUCH INFORMATION IS LIMITED TO THE PURPOSE FOR WHICH IT WAS PROVIDED AND NO RECIPIENT IS PERMITTED TO USE, COPY, OR DISCLOSE SUCH INFORMATION EXCEPT AS EXPRESSLY AUTHORIZED BY ARCTIC INDUSTRIES, LLC.

Arctic
WALK-IN COOLERS AND FREEZERS
MIAMI, FLORIDA
Phone: (305) 883-5581
LOS ANGELES, CALIFORNIA
Phone: (626) 508-0920

ETL US
Intertek
CONFIDENTIAL TO UL STD #11

ETL
Intertek
CONFIDENTIAL TO NSF STD #1

EISA