

BK

RESOURCES

SOLID QUALITY. SOLID SERVICE.

SENSOR FAUCETS



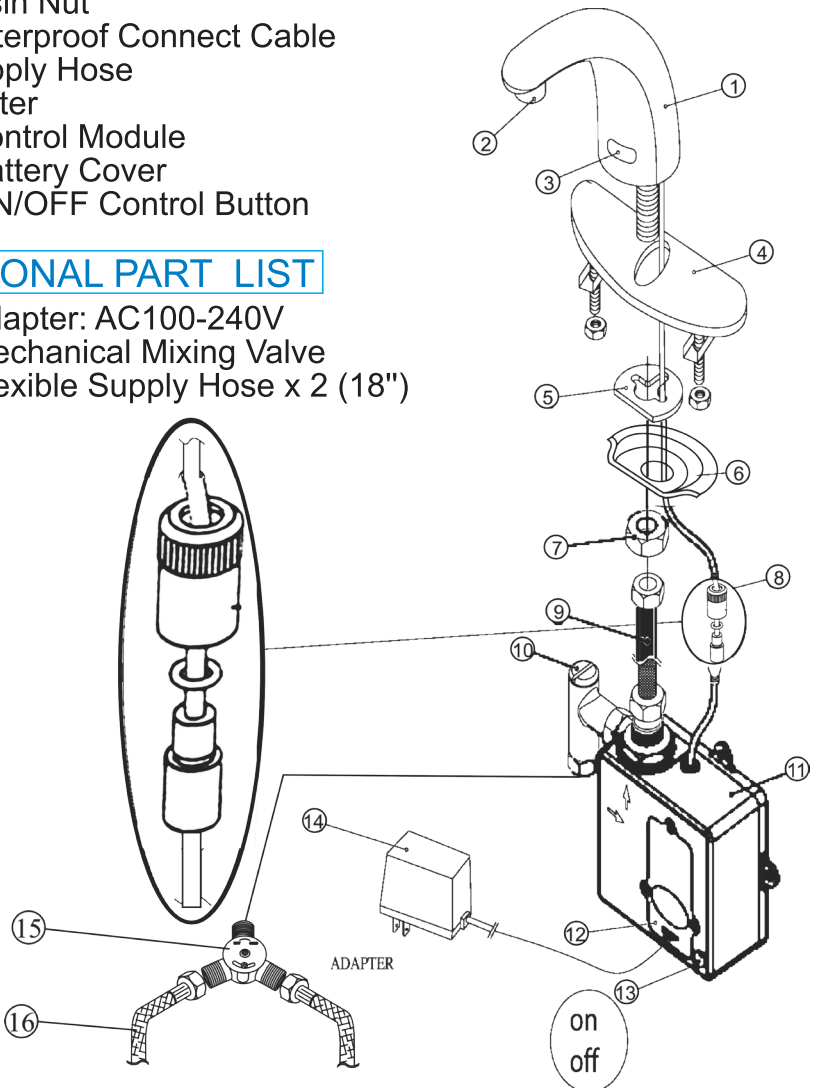
OPERATION MANUAL

PART LIST

1. Main body- Solid Brass
2. Spout
3. Infrared Sensor Eye
4. Cover Plate (ONLY FOR BKF-4DSF)
5. Enhanced Plastic Washer
6. Stainless Steel Washer
7. Basin Nut
8. Waterproof Connect Cable
9. Supply Hose
10. Filter
11. Control Module
12. Battery Cover
13. ON/OFF Control Button

OPTIONAL PART LIST

14. Adapter: AC100-240V
15. Mechanical Mixing Valve
16. Flexible Supply Hose x 2 (18")



SPECIFICATION

Model: Automatic Faucet

Body: Solid Brass with Chrome

Power: i>DC-Alkaline AA Battery * 4

ii> AC/DC alternately

Working pressure: 0.2-15kg/cm²

Water supply pipe size: NPSM 1/2-1/4

Ambient Tem. Range: 2-90 Celsius

Sensing distance: 2-17 cm (default 14 cm)

Sensing range setup: Digital

Response time:0.3 sec (default)

Off Delay time:1 sec (default), 2 sec (optional)

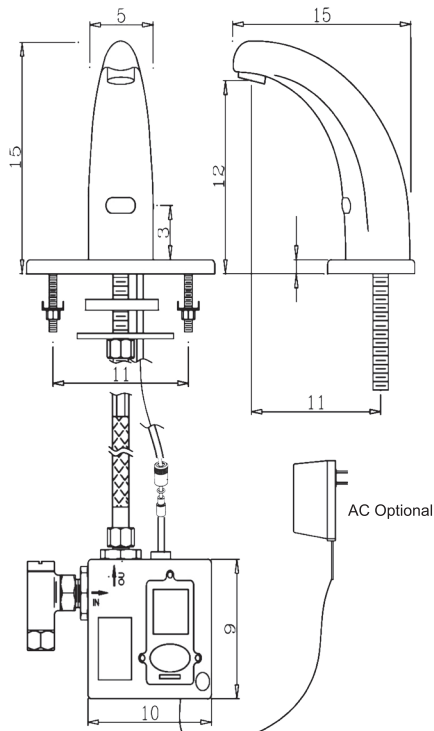
Pop-up drain: No

Fresh Battery Life Cycle: 500,000 on/off

Low Battery indicator: Red LED flash

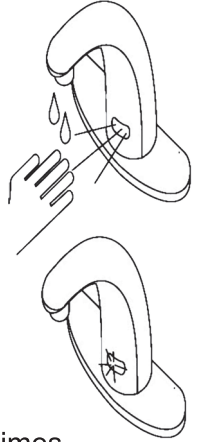
Weakness of Battery: Red LED on, CPU off

Warranty: Limited One year

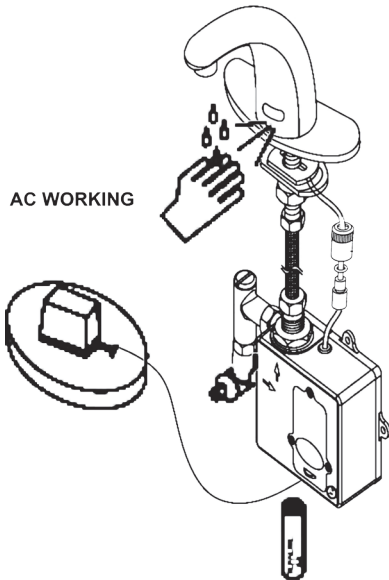


OPERATION

1. Place hands under the spout. Water starts to flow.
Water keeps flowing when hands remain under the spout.
2. Clean the Filter once every month.
3. Keep infrared eye cover clear.
4. Static red sensor light on indicates weak power.
User needs to replace them with fresh Alkaline AA batteries.
5. Both Batteries and AC adapter are equipped.
When AC is on, batteries will stand by.
When AC adapter fails, batteries will automatically start functioning.
6. Fresh Alkaline batteries will cycle on/off for 400,000 times.

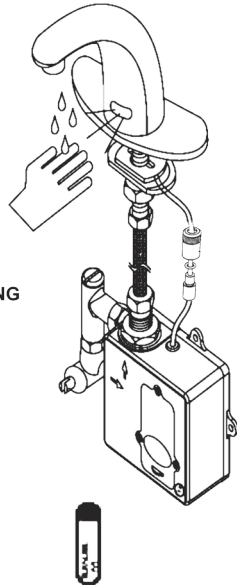


AC WORKING



BATTERY RESTING

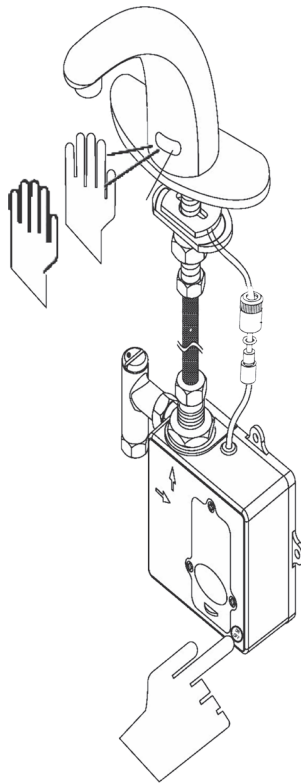
AC RESTING



BATTERY WORKING

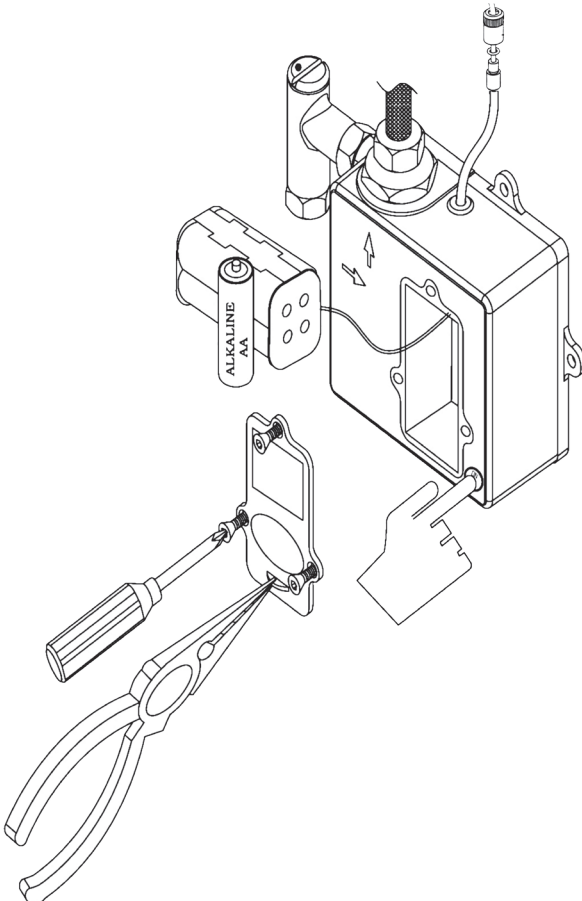
SENSOR RANGE SETUP

1. AF-serial sensor range is in digital mode.
(Note: Do not try to open control module to change the sensing distance.)
2. Press and hold the on/off button for 5-7 seconds. Water stops. Red LED on.
3. Release the on/off button. Red LED off. Enter setup mode accordingly.
4. Place hands 5-7 cm from spout. Wait 5-10 seconds until Red LED flashes.
5. Place hands to desired distance. Hold hands and press the on/off button.
6. The default sensor distance range is 14cm and adjustable from 2-17 cm.



BATTERY INSTALLATION

1. Infrared eye red LED on and water stops flowing indicates fresh batteries are needed.
2. Prepare four fresh “AA” Alkaline batteries.
3. Unscrew the three screws on battery cover.
4. Remove the battery cover by pincers.
5. Remove the four old batteries.
6. Hold ON/OFF button for 7-10 seconds to erase the CPU memory.
7. Install the four fresh Alkaline batteries properly.
8. Red LED will flash in 2 seconds which indicates normal function is retrieved.
9. Screw back the battery cover properly.



Q & A

1. Q: How do I keep water flowing without placing hands under spout?

A: User can press the on/off button. Water will start flowing.

When re-press the ON/OFF button, water will stop. If not, the automatic function will set to rest after 60 seconds.

2. Q: What is the best sensing distance?

A: The best sensing distance is 2-3 cm under the spout.

3. Q: How do I maintain the infrared eye?

A: The infrared eye should be kept clear. Use only soft cloth to clean.

4. Q: How often does the Filter need to be cleaned?

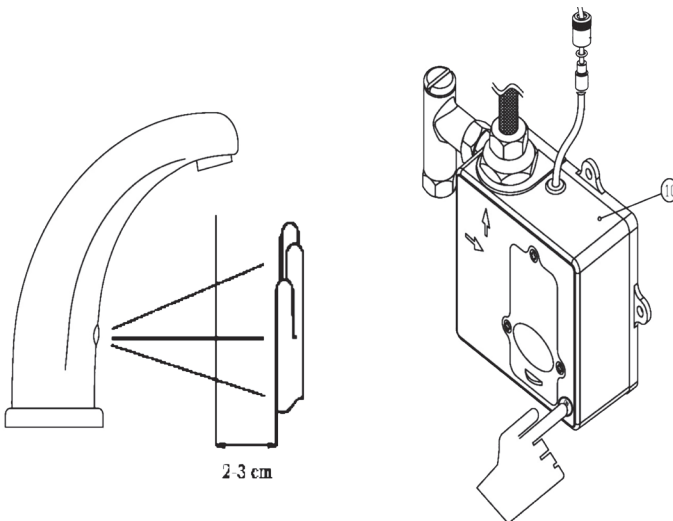
A: The quality of water is crucial. Clean the Filter once every month is strongly suggested.

5. Q: Why can't water stop when hands away from spout?

A: The sensing distance could be too long. User has to adjust the sensing distance to 14cm. The best sensing distance is 14 cm (default).

6. Q: Why water stops when the infrared red LED is on?

A: Weakness of battery. User needs to install new batteries.



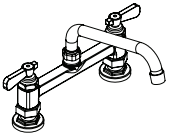


RESOURCES

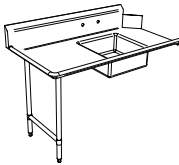
SOLID QUALITY. SOLID SERVICE.

SENSOR FAUCETS

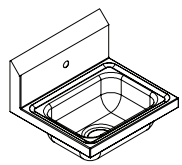
PLUMBING



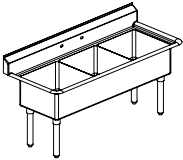
DISH TABLES



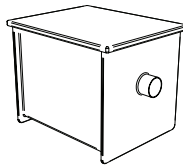
HAND SINKS



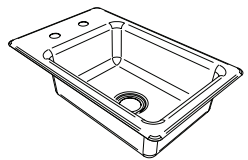
COMPARTMENT SINKS



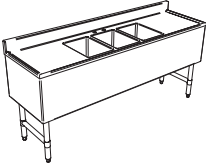
GREASE TRAPS



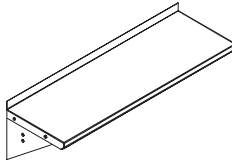
DROP IN SINKS



UNDERBAR EQUIPMENT



SHELVING



STAINLESS STEEL TABLES

