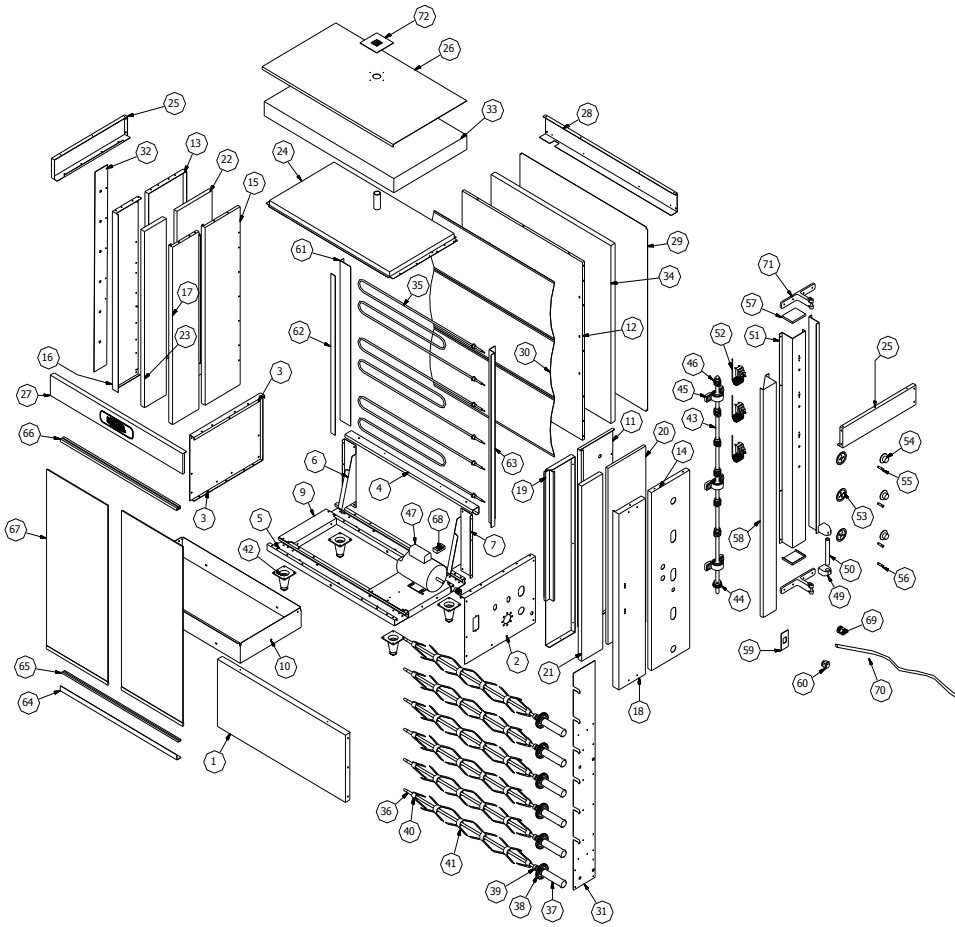
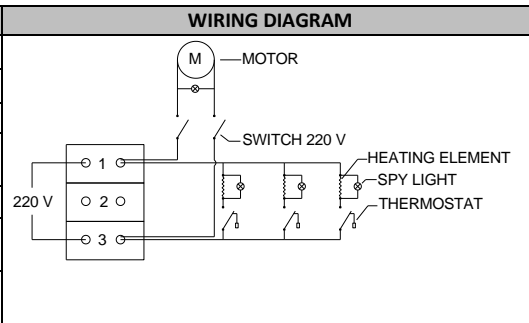




# 6 SKEWERS ELECTRIC ROTISSERIE



| TECHNICAL DATA              |                               |
|-----------------------------|-------------------------------|
| Voltage (V)                 | 220                           |
| Amperage (A)                | 39                            |
| Electri Power (W)           | Motor 1.000                   |
|                             | Heating Element 7.500         |
| Weight (Kg/lbs)             | 115/ 253,5                    |
| Dimension W x H x D (cm/in) | 110/43,3 X 168/66,2 X 52/20,4 |
| Capacity                    | 30 CHICKEN / 6 SKEWERS        |



| PARTS LIST |     |             |                                      |   |
|------------|-----|-------------|--------------------------------------|---|
| ITEM       | QTY | PART NUMBER | DESCRIPTION                          | DESCRIPCION                               |
| 1          | 1   | 11025       | Front cover                          | Base frente                               |
| 2          | 1   | 11053       | Right side panel                     | Base lateral derecha                      |
| 3          | 1   | 11027       | Left side panel                      | Base lateral izquierda                    |
| 4          | 1   | 11028       | Rear support                         | Base trasera                              |
| 5          | 2   | 10231       | Foot rest support                    | Base pata                                 |
| 6          | 1   | 10031       | Left support                         | Columna refuerzo izquierdo                |
| 7          | 1   | 10032       | Right support                        | Columna refuerzo derecha                  |
| 8          | 1   | 11029       | Flange motor                         | Base motor                                |
| 9          | 1   | 11321       | Foot crown support                   | Corona pata                               |
| 10         | 1   | 11033       | Collector                            | Bandeja recoge grasa                      |
| 11         | 1   | 12490       | Right interior panel                 | Lateral interior derecho trasero          |
| 12         | 1   | 11048       | Interior back panel                  | Respaldo interior                         |
| 13         | 1   | 11039       | Left back exterior panel             | Lateral exterior izquierdo trasero        |
| 14         | 1   | 12491       | Right back exterior panel            | Lateral exterior derecho trasero          |
| 15         | 1   | 11037       | Left interior panel                  | Lateral interior izquierdo trasero        |
| 16         | 1   | 11040       | Left front exterior panel            | Lateral exterior izquierdo delantero      |
| 17         | 1   | 11036       | Forward left inner panel             | Lateral interior izquierdo delantero      |
| 18         | 1   | 11043       | Door                                 | Puerta exterior                           |
| 19         | 1   | 11042       | Interior door cover                  | Puerta interior                           |
| 20         | 1   | FIB-003     | Rear right side thermal insulator    | Lana aislante lateral derecho trasero     |
| 21         | 1   | FIB-003     | Front right side thermal insulator   | Lana aislante lateral derecho delantero   |
| 22         | 1   | FIB-003     | Rear left side thermal insulator     | Lana aislante lateral izquierdo trasero   |
| 23         | 1   | FIB-003     | Front left side thermal insulator    | Lana aislante lateral izquierdo delantero |
| 24         | 1   | 12478       | Interior roof panel                  | Techo interior                            |
| 25         | 2   | 10150       | Top cover                            | Corniza lateral                           |
| 26         | 1   | 12479       | Top exterior cover                   | Techo exterior                            |
| 27         | 1   | 12477       | Front top cover                      | Frente corniza baja                       |
| 28         | 1   | 11045       | Back top cover                       | Corniza trasera                           |
| 29         | 1   | 12476       | External back cover                  | Respaldo exterior                         |
| 30         | 3   | N/A         | Screen deflectors                    | Pantalla                                  |
| 31         | 1   | 11050       | Right skewers support                | Porta barra derecha                       |
| 32         | 1   | 11051       | Left skewers support                 | Porta barra izquierdo                     |
| 33         | 1   | FIB-003     | Top thermal insulator                | lana aislante techo                       |
| 34         | 1   | FIB-003     | Back thermal insulator               | Lana aislante espaldar                    |
| 35         | 4   | RES-006     | Heating element 2500W 220V           | Resistencia 2500W 220V                    |
| 36         | 6   | BAR-019     | Skewers axl 1/2"                     | Barra AI 304 1/2"                         |
| 37         | 6   | MAG-001     | Wooden handle for skewers            | Mango de madera para espeton              |
| 38         | 6   | PIÑ-001     | aluminum skewer gear                 | Piñon aluminio para asador                |
| 39         | 6   | ARO-001     | Skewer holder                        | Aro de espeton                            |
| 40         | 12  | 12153S      | Single hook                          | Gancho simple                             |
| 41         | 24  | 12153D      | Double hook                          | Gancho doble                              |
| 42         | 4   | PAT-013     | Aluminum foot rests                  | Pata de aluminio                          |
| 43         | 1   | BAR-002     | Main axl 5/8"                        | Barra calibrada redonda de 5/8"           |
| 44         | 1   | ENG-001     | Nylon Gear                           | Engranaje de nylon                        |
| 45         | 3   | CHU-001     | Bearing housing 5/8"                 | Chumacera 5/8" tipo puente                |
| 46         | 6   | SIN-003     | Aluminum endelless screw for skewers | Sinfin de aluminio                        |
| 47         | 1   | MOT-009     | Electric motor de 5/8 Hp 1800 rpm    | Motor de 5/8 Hp 1800 rpm                  |
| 48         | 1   | SIN-002     | Iron endless screw                   | Sinfin de hierro                          |
| 49         | 2   | SOS-004     | Handle holder 3/4"                   | Sosten para asas pequeñas de 3/4"         |
| 50         | 1   | TUB-050     | Door handle                          | Tabo A.I. redondo 3/4"                    |
| 51         | 1   | N/A         | Electrical box cover                 | Cajetin                                   |
| 52         | 3   | TET-018     | Thermostat 50-350 °C                 | Termostato con perilla 50-350 °C          |
| 53         | 3   | TET-018     | Knob element                         | Roseta para perilla                       |
| 54         | 3   | TET-018     | Knob                                 | Perilla                                   |
| 55         | 3   | LUZ-003     | Orange light 220 V                   | luz espia naranja 220 V                   |
| 56         | 1   | LUZ-002     | Green light 220 V                    | luz espia verde 220 V                     |
| 57         | 2   | 12495       | Top electrical box cover             | Tapa cajetin                              |
| 58         | 1   | N/A         | Main axl cover                       | Tapa barra                                |
| 59         | 1   | 6208        | Switch holder                        | Porta interruptor                         |
| 60         | 1   | INT-003     | Toggle switch 20 amp                 | Interruptor palanca 20 amp                |
| 61         | 1   | N/A         | Heating element support              | Apollo resistencia                        |
| 62         | 1   | N/A         | Heating element holder               | Amarre resistencia                        |
| 63         | 1   | N/A         | Bulb protector                       | Protector Bulbo                           |
| 64         | 1   | 10158       | Front bottom rail                    | Frente riel interior                      |
| 65         | 1   | SAB-003     | Aluminum support glass door          | Base vidrio aluminio                      |
| 66         | 1   | SAB-002     | Aluminum glass head                  | Cabezal vidrio aluminio                   |
| 67         | 2   | VID-001     | Tempered glass                       | Vidrio templado 16 pollos                 |
| 68         | 1   | REG-006     | Electrical distribution element      | Regleta bakelita 3 terminales             |
| 69         | 1   | CON-024     | Cable gland                          | Pasacable                                 |
| 70         | 1   | CAL-011     | Cord connection ST 3 X 8             | Cable ST 3 X 8                            |
| 71         | 2   | BIS-007     | Door hinge                           | Bisagra puerta asador                     |
| 72         | 1   | 11464       | Top exhaust cover                    | Tapa chimenea                             |

## INSTRUCTION MANUAL

### 4 SKEWERS ELECTRIC ROTISSERIE MODEL: AS2606E

- This appliance is designed to operate on alternative current (A.C.) Only  
*Este aparato está diseñado para funcionar con corriente alterna (A.C.)*
- Care should be taken when operating this appliance, as hot surfaces may cause burns.  
*Tenga cuidado al operar este aparato, ya que las superficies calientes pueden causar quemaduras.*
- The installation area must be well ventilated to eliminate gases resulting of process.  
*El área de instalación debe estar bien ventilada para eliminar los gases resultantes del proceso*
- For safety reasons do not install the equipment next of combustible materials.  
*Por razones de seguridad no instale el equipo cerca de materiales combustibles.*

#### INSTALLATION

- Unpack the equipment and remove the accessories from the internal part.  
*Desembale el equipo y retire los accesorios de la parte interna.*
- Position the equipment in the point of installation and adjust the footrests to level.  
*Posicionar el equipo en el punto de instalación y ajustar las patas para regular el cierre de las puertas.*
- Make the electric installation according to your local safety standards.  
*Haga la instalación eléctrica de acuerdo con sus normas de seguridad locales.*
- Check the equipment requirements and your power supply conditions to connect it.  
*Compruebe los requisitos del equipo y las condiciones de su fuente de alimentación y conéctelo.*

#### OPERATION

- Check if all thermostats knobs are in off position.  
*Compruebe si todos los termostatos están en posición de apagado.*
- Place the skewers on the equipment.  
*Coloque los espetones en el equipo.*
- Turn on the motor switch  
*Encienda el interruptor del motor*
- Turn each thermostat knob to the desired temperature  
*Gire la perilla de cada termostato a la temperatura deseada*
- Wait, with skewers rotating, for the chickens to be finished.  
*Espere, con los espetones girando, para que los pollos estén listos.*
- You can adjust each thermostat independently to get the results that you wish.  
*Puede ajustar cada termostato independientemente para obtener los resultados que desea.*

# METAL SUPREME



# METAL SUPREME

**METAL SUPREME, LLC**

8409 NW, 68<sup>th</sup> Street

Miami, FL 33166

metalsupremellc@gmail.com

(786) 536 9960

**6 SKEWERS ELECTRIC ROTISSERIE  
AS2606E**