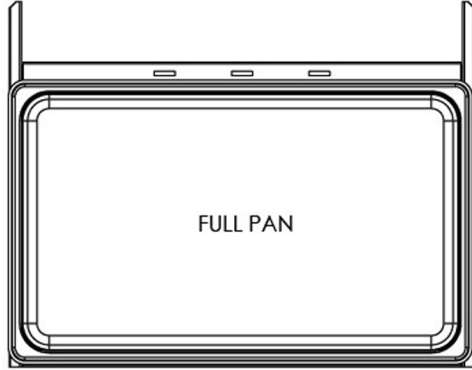
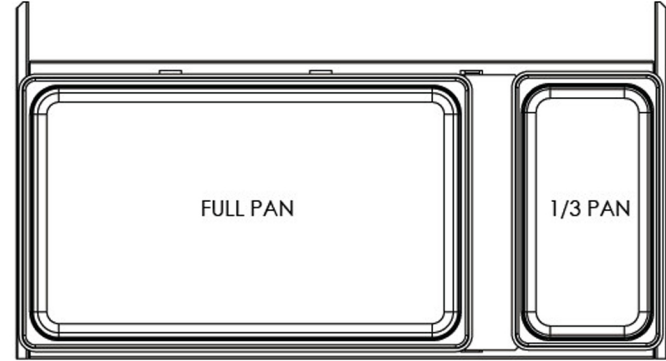




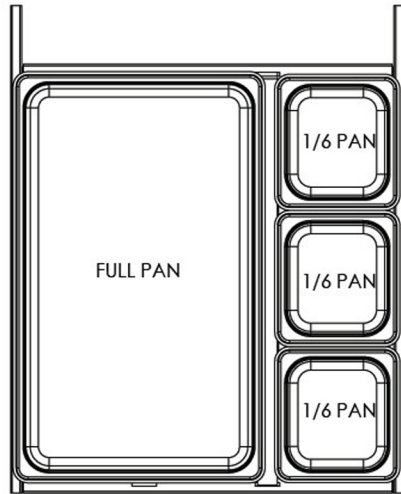
**BEVERAGE-AIR**



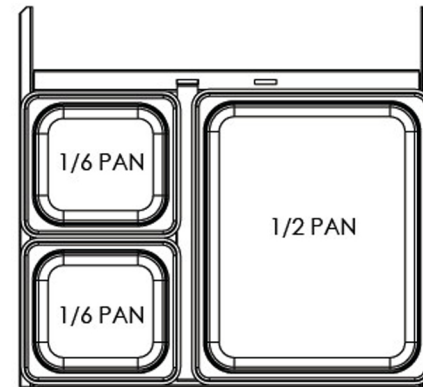
SPE/UC/WT 27 & 60 DRAWER PAN LAYOUT



SPE/UC/WT 27 & 60 DRAWER PAN LAYOUT



SPE/UC/WT/DP 46, 67, 93, & 119 DRAWER PAN LAYOUT



SPE/UC/WT 48 & 72 DRAWER PAN LAYOUT



3779 Champion Blvd  
Winston-Salem, NC 27105  
Ph: (888) 845.9800  
Fax: (800) 253.5168